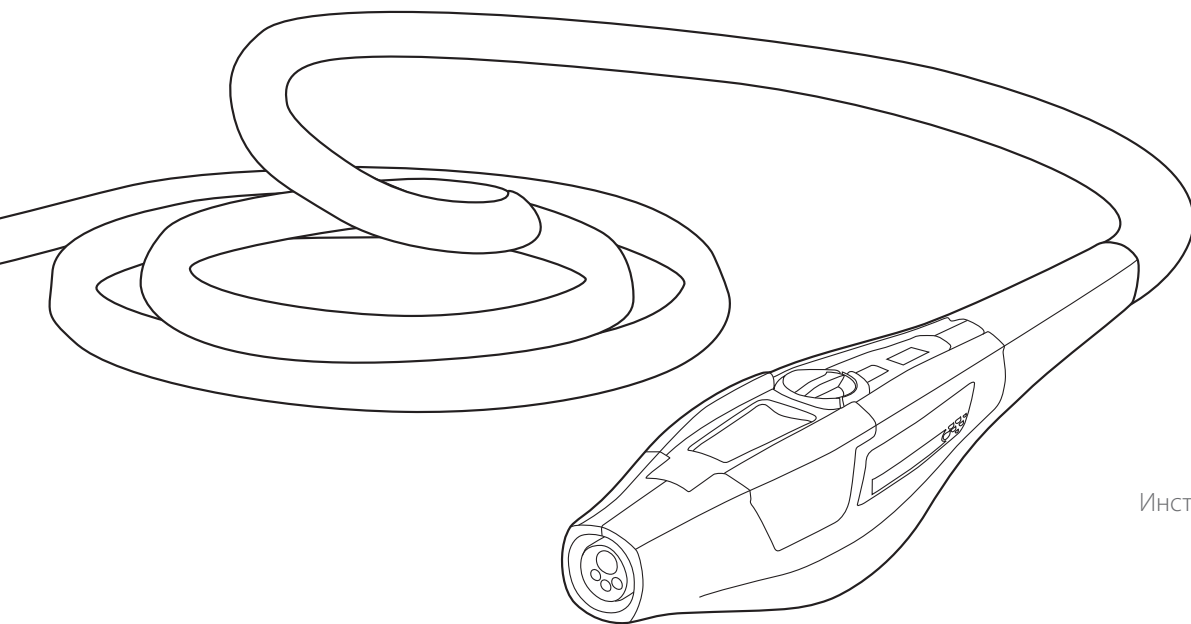


# SuperSnake

GT 02S, GT 02SW



Operating manual **EN**

Bruksanvisning **DA**

Gebrauchsanweisung **DE**

Manual de instrucciones **ES**

Käyttöohje **FI**

Manuel d'utilisation **FR**

Manuale d'uso **IT**

Gebruiksaanwijzing **NL**

Brugsanvisning **NO**

Instrukcja obsługi **PL**

Инструкции по эксплуатации **RU**

Bruksanvisning **SV**

操作手册 **ZH**



# **OPERATING MANUAL**

**English**

## CONTENTS

1.	Preface.....	3
1.1	General.....	3
1.2	About SuperSnake products.....	3
2.	Installation.....	4
2.1	Before use.....	4
2.2	Machine introduction.....	4
2.3	Connecting cables.....	5
2.3.1	Water cooled system.....	5
2.3.2	Gas cooled system.....	6
3.	Assembly of SuperSnake GT02S and GT02Sw.....	7
3.1	Before connection.....	7
3.2	Mounting and locking of wire spool.....	8
3.3	Loading the filler wire and automatic feed.....	9
3.4	Adjustment of MXF/MXP pressure arms.....	10
3.5	Adjustment of spool brake.....	10
3.6	Automatic wire feed to intermediate cable and gun.....	11
4.	Maintenance.....	15
4.1	Daily maintenance.....	15
4.2	Service shop maintenance.....	15
5.	Disposal of the machine.....	16
6.	Ordering numbers.....	16
7.	Technical data.....	17

EN

# 1. PREFACE

## 1.1 General

Congratulations on choosing the SuperSnake equipment. Used correctly, Kemppi products can significantly increase the productivity of your welding, and provide years of economical service.

This operating manual contains important information on the use, maintenance and safety of your Kemppi product. The technical specifications of the device can be found at the end of the manual.

Please read the manual carefully before using the equipment for the first time. For your own safety and that of your working environment, pay particular attention to the safety instructions in the manual.

For more information on Kemppi products, contact Kemppi Oy, consult an authorised Kemppi dealer, or visit the Kemppi web site at [www.kemppi.com](http://www.kemppi.com).

The specifications presented in this manual are subject to change without prior notice.

### **Important notes**

Items in the manual that require particular attention in order to minimise damage and personal harm are indicated with the '**NOTE!**' notation. Read these sections carefully and follow their instructions.

### **Disclaimer**

While every effort has been made to ensure that the information contained in this guide is accurate and complete, no liability can be accepted for any errors or omissions. Kemppi reserves the right to change the specification of the product described at any time without prior notice. Do not copy, record, reproduce or transmit the contents of this guide without prior permission from Kemppi.

## 1.2 About SuperSnake products

SuperSnake is a combined solution for distance wire feeding and restricted access welding. It extends the reach of standard euro MIG/MAG welding guns up to 30 metres, providing simple distance wire feeding for a variety of filler wires, taking quality welding to locations other welding equipment can't reach.

SuperSnake models connect easily to FastMig MXF/MXP wire feed units with a special MXF synchronisation kit, and to ProMig 501, 501L and 530 wire feed units with a ProMig 50 synchronisation kit.

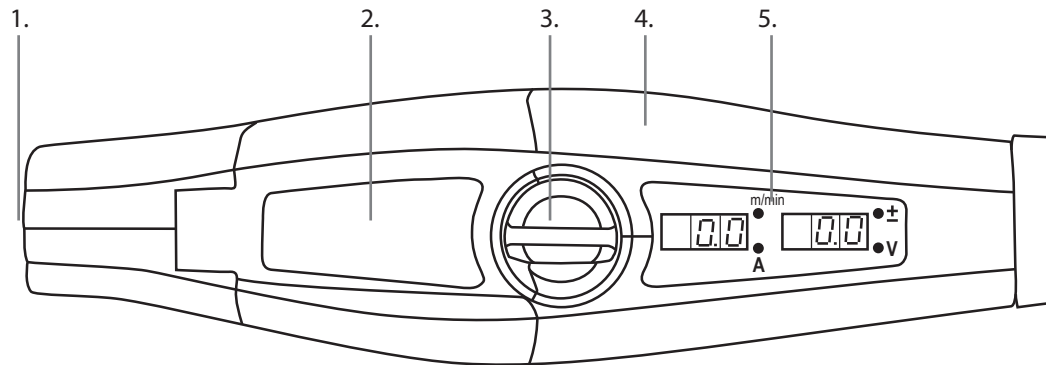
## 2. INSTALLATION

### 2.1 Before use

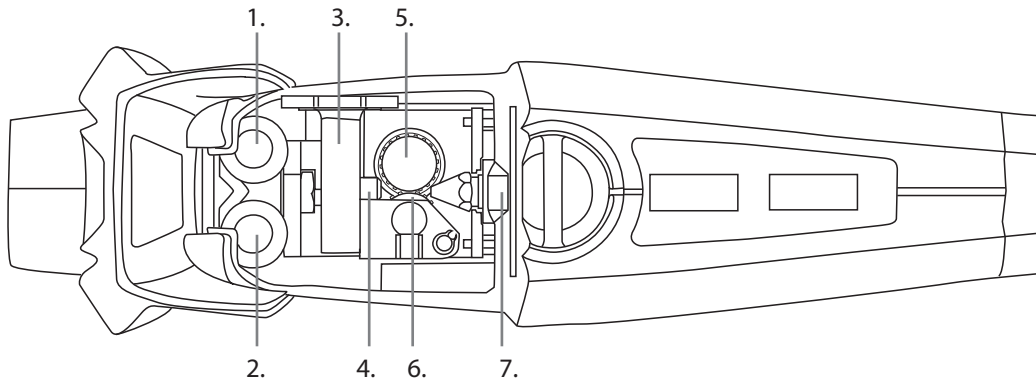
The product is packed in specially designed transport cartons. However, before use always make sure the products have not been damaged during transportation.

Check also that you have received the components you ordered and the instruction manuals needed, as described in the Quick start guide pack. Product packaging material is recyclable.

### 2.2 Machine introduction



1. Euro gun connector
2. Feed mechanism door
3. Feed mechanism door lock
4. Bumper profile body
5. Meter display (Not available in ProMig applications)



1. Wire speed/Arc length regulation
2. Voltage/Power regulation
3. Pressure arm adjuster
4. Wire guide tube
5. Powered drive roll
6. Pressure drive roll
7. Brights LED

## 2.3 Connecting cables

**NOTE!** Always check before use that the interconnecting cable, shielding gas hose, earth return lead/clamp, and mains cable is in a serviceable condition. Ensure that connectors are correctly fastened. Loose connectors can impair welding performance and damage connectors.

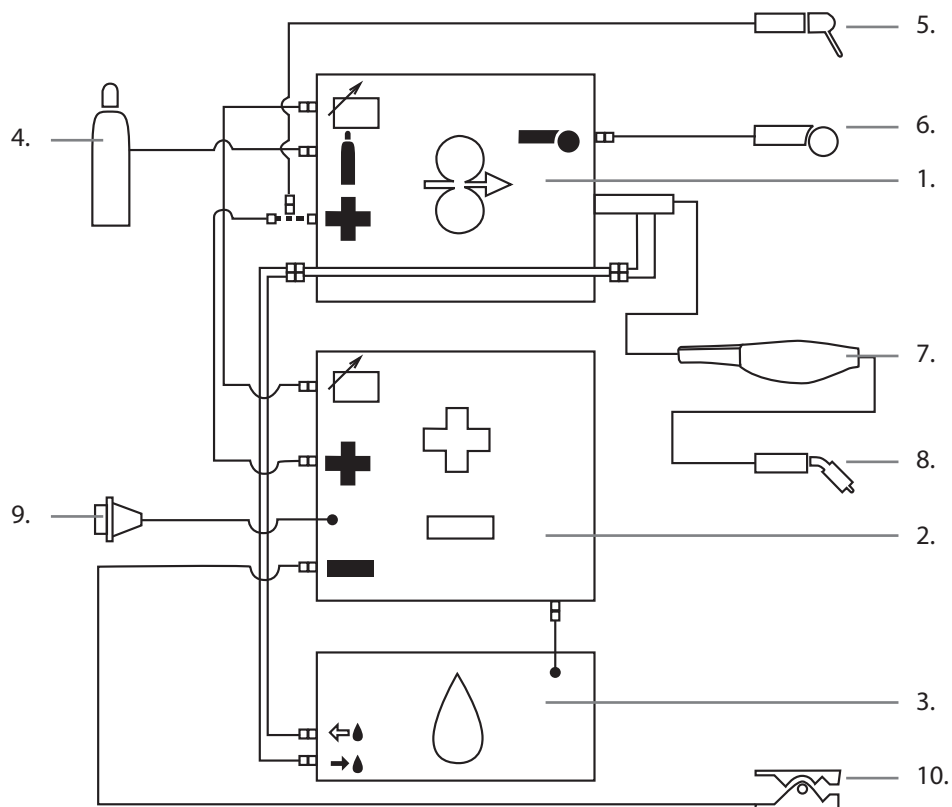
### Sub feeder synchronization kit

To enable SuperSnake connection, MXF/MXP wire feed units must first be fitted with a FastMig MXF synchronisation kit (W004030), and ProMig wire feed units with ProSync 50 kit (6263121). Follow the installation instructions provided in the kit delivery.

### 2.3.1 Water cooled system

**FastMig KMS/Pulse/X + MXF/MXP + FastCool 10**

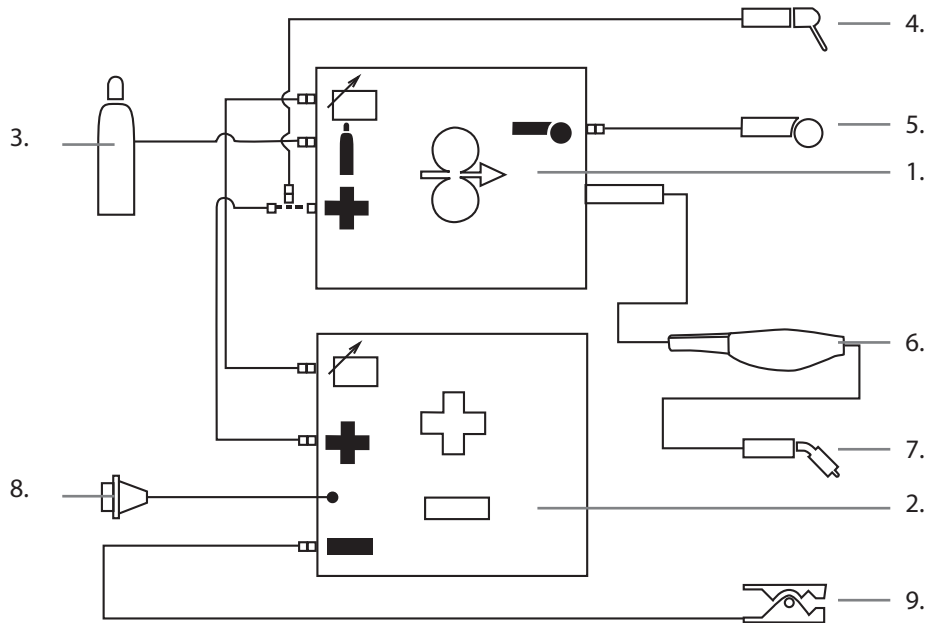
**Pro Evolution + ProMig + ProCool 30**



1. MXF, MXP or ProMig wire feed unit
2. FastMig Pulse or Pro Evolution power source
3. FastCool or ProCool 30 water cooler and power connection
4. Gas supply
5. MMA electrode holder
6. Remote control device
7. SuperSnake GT02SW
8. Liquid cooled welding Gun
9. Power cable
10. Earth return lead and clamp

## 2.3.2 Gas cooled system

### FastMig KMS/Pulse/X + MXF/MXP

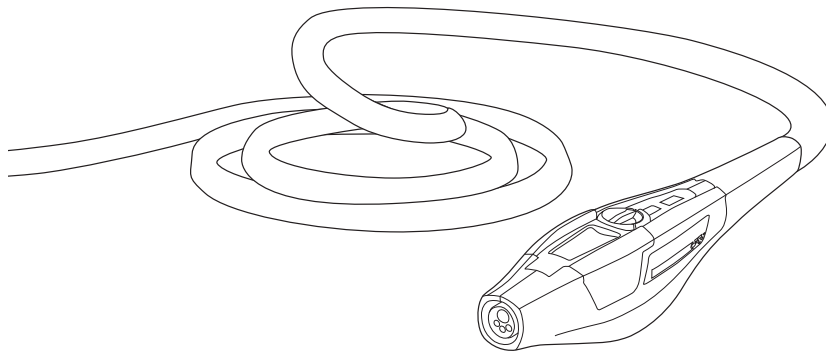


1. MXF, MXP or ProMig wire feed unit
2. FastMig Pulse or Pro Evolution power source
3. Gas supply
4. MMA electrode holder
5. Remote control device
6. SuperSnake GT02S
7. Air cooled welding Gun
8. Power cable
9. Earth return lead and clamp



### 3. ASSEMBLY OF SUPERSNAKE GT02S AND GT02SW

#### 3.1 Before connection



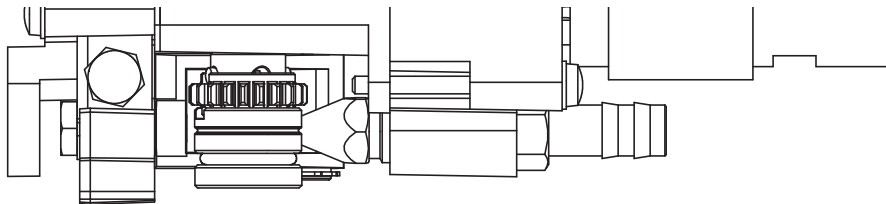
Uncoil SuperSnake taking the feed mechanism body towards the intended welding area, and away from the welding machine. Ensure there are no tight bends before you load the filler wire.

Ensure that the correct filler wire support liner is fitted and installed correctly for the intended welding application. Kemppi manufacturer a range of support liners for different filler material types, including Steel wound and DL Chili. Please read the guide notes on liner selection and installation before use.

EN

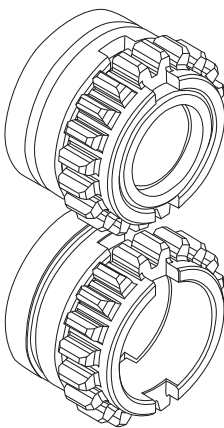
#### SuperSnake wire feed mechanism


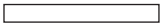
Before loading the filler wire to SuperSnake please set the wire feed mechanism. Ensure the grooved drive rolls suit the filler wire size and type. Close and adjust the pressure arm.



#### Wire feed roll, wire guide tubes and wire liners

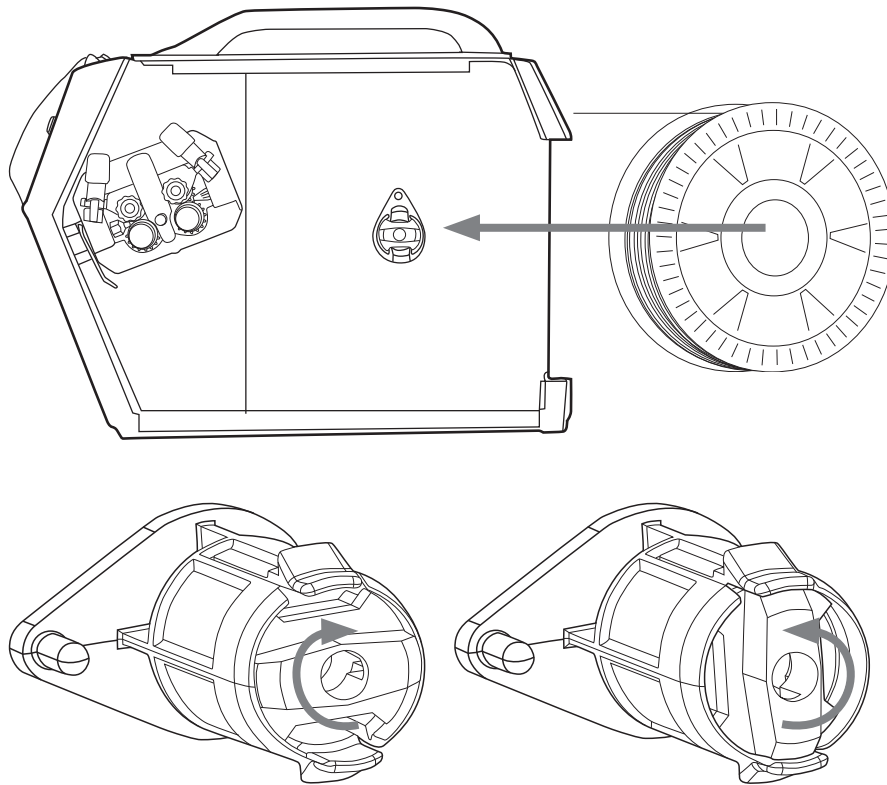
Wire feed rolls	Ø, mm	
Fe, Ss (Al, Mc, Fc) V groove	0.8	W004276
	1.0	W004277
	1.2	W004278
	1.6	W004279
Mc, Fc (Fe) V groove, knurled	1.2	W004281
	1.6	W006608
≡	2.0	W006609
Al (Ss, Fe, Mc, Fc) U groove	1.2	W004280
U		



	ø, mm	inlet tube	wire liner	
<b>Fe, Mc, Fc</b> steel 	0.8 – 1.2	W004083	W004214	10.5 m
			W004216	15.5 m
			W004217	20.5 m
			W004218	25.5 m
	1.4 – 2.0	W006617	4308620	15.5 m
			4308630	25.5 m
<b>Ss, Al (Fe, Mc, Fc)</b> plastic 	0.8 – 1.6	W004185	W004145	10 m
			W004219	15 m
			W004220	20 m
			W004221	25 m

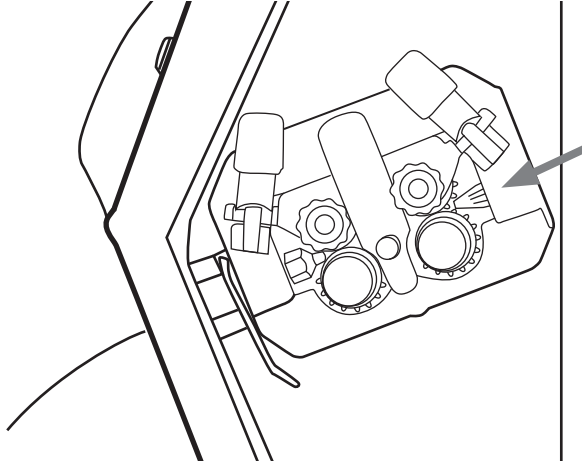
### 3.2 Mounting and locking of wire spool

Ensure quality filler wire is loaded to the wire feed cabinet. Check that the correct wire guide tube and wire drive rolls are selected and fitted for the filler wire type used.



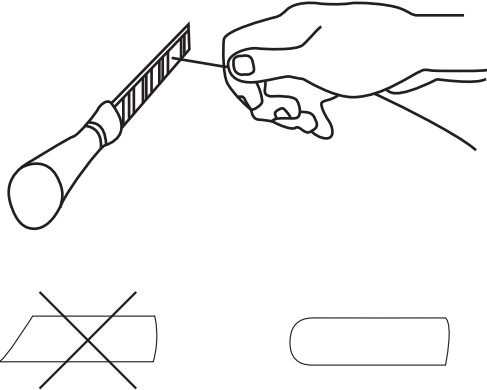
**NOTE!** Check that the filler wire spool is correctly mounted and locked into position. Ensure the spool is not damaged or deformed in such a way that it can rub or chaff against the internal surface of the wire feed unit chassis or door. This may result in increased drag, impacting on weld quality. This may also result in long term wire feed unit damage, rendering the unit unserviceable or unsafe to use.

### 3.3 Loading the filler wire and automatic feed



Automatic wire feed makes wire spool changes faster. When changing the wire spool, the pressure of feed rolls need not be released. Simply ensure that the groove of the feed roll matches the diameter of filler wire used. Release the wire end from the spool and cut off any deformed section. Be careful the wire does not spill from the spool sides. Straighten about 20 cm of filler and present the filler wire tip to the back of the wire feed rolls and press the wire inch button on the wire feed panel.

Now take a fine file or abrasive cloth and remove any sharp edges from the filler wire end, before loading to SuperSnake. This prevents damage to plastic liners in particular, and also prevents pick-up and stubbing inside metal liners when loading.



**NOTE!** Smaller diameter filler wires may need to be loaded manually – with the feed roll pressure arms released. This is because it is easy to over estimate the pressure required to feed these smaller filler wires. Too high feed roll pressures can easily deform filler wires and contribute to later feeding problems.

### 3.4 Adjustment of MXF/MXP pressure arms

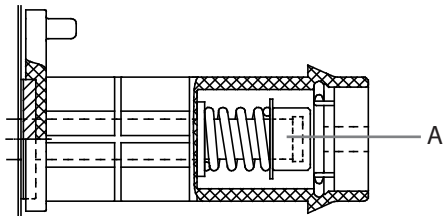
Adjust the drive pressure to the filler wire with the thumb screws mounted over the pressure arms. Notice the graduated scales indicating load. The load applied should be sufficient to overcome a light braking force applied by hand to the filler wire, as it exits the welding gun contact tip.

For smaller diameter and soft filler wires, less feed pressure is required. It should be possible to apply a light braking force to the filler wire by hand, as it exits the gun contact tip. But slightly more wire flow restriction should render the drives rolls to slip slightly over the filler wire without deforming the wire

**NOTE!** Excessive pressure causes flattening of the filler wire and damage to coated or cored filler wires. It also causes undue wear of the feed rolls and increases gearbox load, so reducing service life.

### 3.5 Adjustment of spool brake

Brake force is adjusted through the hole behind the locking clip. Remove the locking clip by hand, and adjust the tension and pressure to the friction pads mounted inside with a screw driver. See diagram and location A.



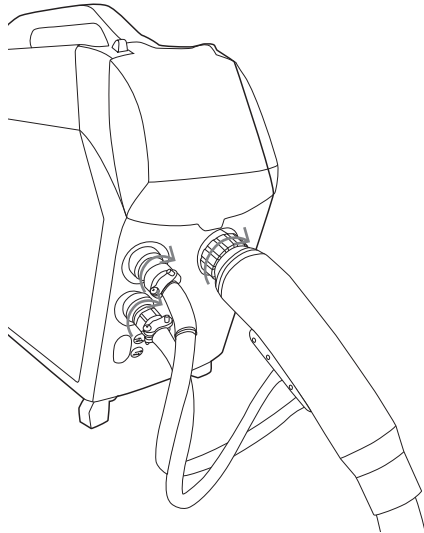
The load applied varies depending on the size and weight of the filler wire and spool, but also the filler wire feed speed set. The heavier the wire spool and the faster the feed speed, the greater the need to increase the braking load. Adjust the pressure, secure the locking clip, set the wire feed speed and check that the braking force is enough to ensure the filler wire does not spill from the spool on overrun.

**NOTE!** Too much or unnecessary loads can impact welding quality, load and wear to the wire feed system.

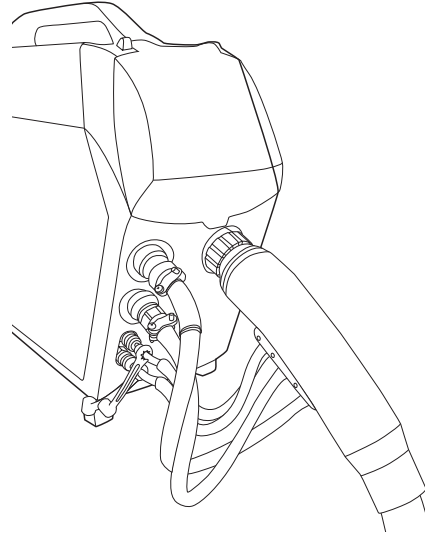
#### Communication cables

Support the SuperSnake coupling and guide the filler wire into the SuperSnake liner. Then carefully mate and connect SuperSnake to the wire feed unit connector. Secure the SuperSnake by hand tightening the orange collar. The SuperSnake coupling transfers welding power, shielding gas and gun trigger lines. In addition you must connect both cable plugs to the FastMig or ProMig wire feed unit sockets (from MXF synchronisation kit W004030 or ProMig ProSync 50 kit 6263121). This ensures wire feed motor synchronization, metering and remote control functions. Align and connect the plugs to the sockets and lightly tighten by hand. In ProSync applications, welding values are not shown. Instead, the display shows only dashes ---.

SuperSnake GT02S

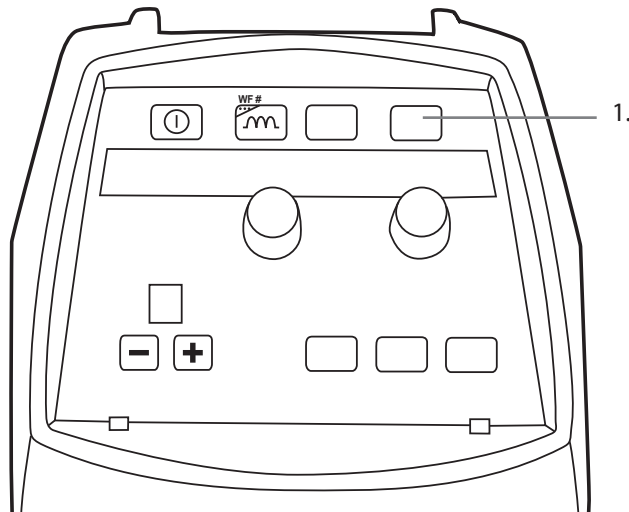


SuperSnake GT02SW



### 3.6 Automatic wire feed to intermediate cable and gun

EN



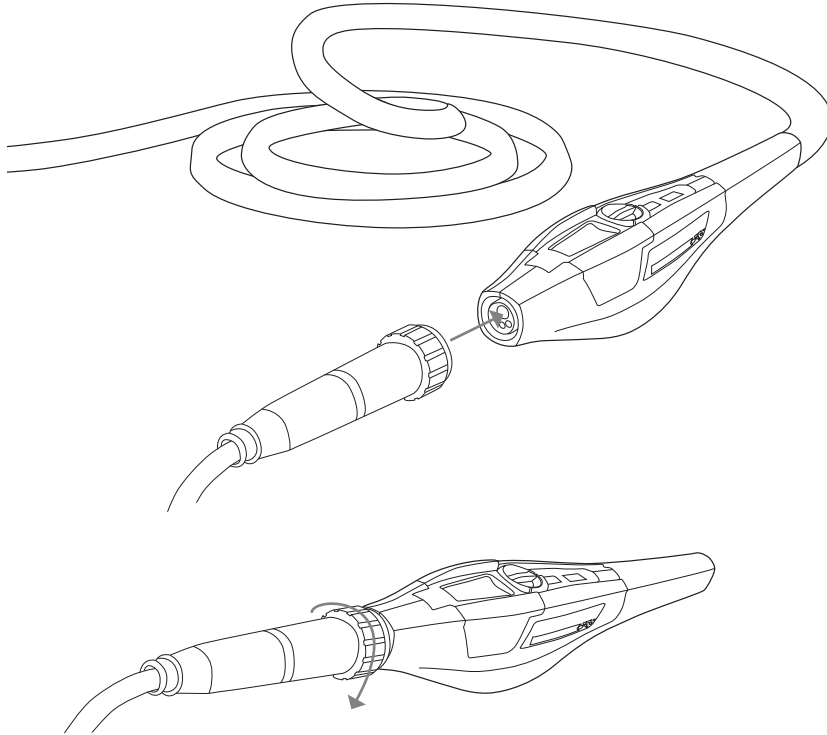
1. WIRE INCH button

You are now ready to 'Auto Load' the filler wire. Ensure the FastMig or ProMig wire feed mechanism pressure arms are in place and correctly adjusted. Press the WIRE INCH button on the wire feed panel. MXF/PF system will automatically load the filler wire to the SuperSnake feed mechanism, and through the gun connector block. There should be a small amount of filler wire sticking out ready for gun connection.

**NOTE!** In ProMig applications, the automatic Wire Inch function is not available. You must press and hold the Wire Inch button or welding gun trigger, until the filler wire reaches SuperSnake.

### Connecting the welding gun

Prepare your welding gun for connection. SuperSnake is designed to accept a wide variety of welding guns fitted with the standard Euro fitting. To ensure reliable welding performance, please ensure the gun is suitable for the intended welding application and is in good working order, correctly fitted with a suitable liner and contact tip.

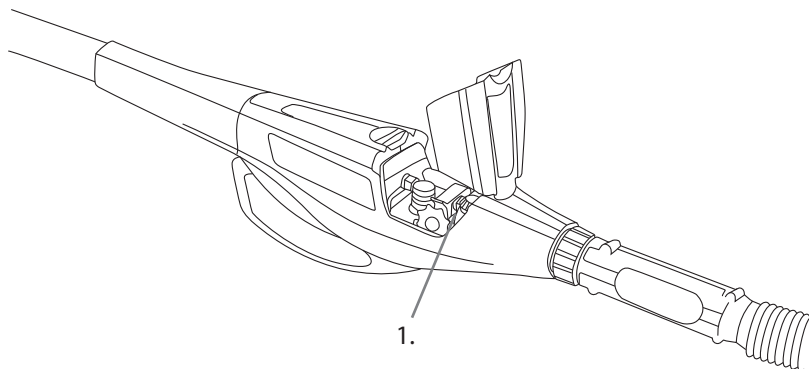


Tread the filler wire into the welding gun and connect to the SuperSnake. Hand tighten the gun collar.

**NOTE!** Kemppi manufacture a range of quality welding guns, low friction loss gun liners and gun consumables, designed to compliment our welding products. Please consider these products before selecting an alternative.

### Welding power controls

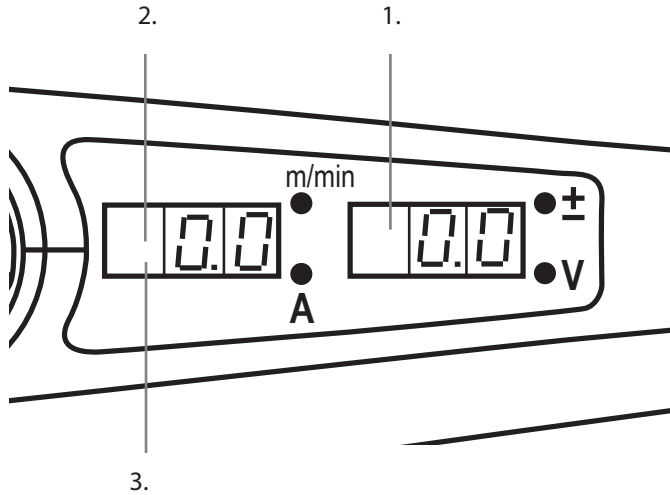
Ensure Remote control function is selected on the wire feed unit. SuperSnake provides wire feed speed and voltage control in Basic MIG/MAG mode, plus Power and Arc length in 1-MIG and Pulse MIG. Note that Pulse MIG is not available in ProMig applications. Convenient welding parameter adjustments can be made during welding, allowing easy fine tuning of the welding arc.



1. Welding power adjustment

### Meter display (not available in ProMig applications)

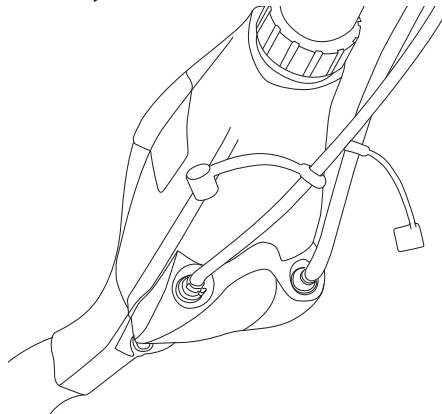
The meter display provides essential welding data indicators. Depending on the MIG/MAG process selected, Voltage, Amperage, Wire feed speed, Plate thickness and Polarity will be indicated. Power and arc length adjustment can be made, prior to, and during welding via the potentiometers housed under the SuperSnake cabinet door. Post weld data is retained in the display for approximately 30 seconds after welding stops, providing that no additional control signals are received during this time.



1. Voltage
2. Welding current
3. Wire feed speed

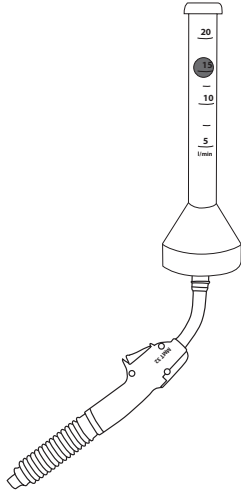
### Water cooled models

Water cooled SuperSnake models allow connection to the cooling fluid supply for liquid cooled guns. Snap connectors fitted at either end of SuperSnake unit are marked RED and BLUE, allowing simple, fast and convenient connection. Ensure the cooling fluid circuit is correctly connected.



### Setting the shielding gas

The shielding gas flow rate from the welding gun is set according to the application, weld joint, gas type and gas nozzle shape and size. The flow rate should be measured at the welding gun nozzle before welding via a Rotameter, and normally measure's between 10 – 20 litres per minute for many welding applications.



**NOTE!** Handle shielding gas bottle with care. Assess the risks associated with handling and using compressed gas. Always use a cylinder transport carriage and secure the cylinder safely.



## 4. MAINTENANCE

When considering and planning routine maintenance, please consider the the frequency of machine use and the working environment.

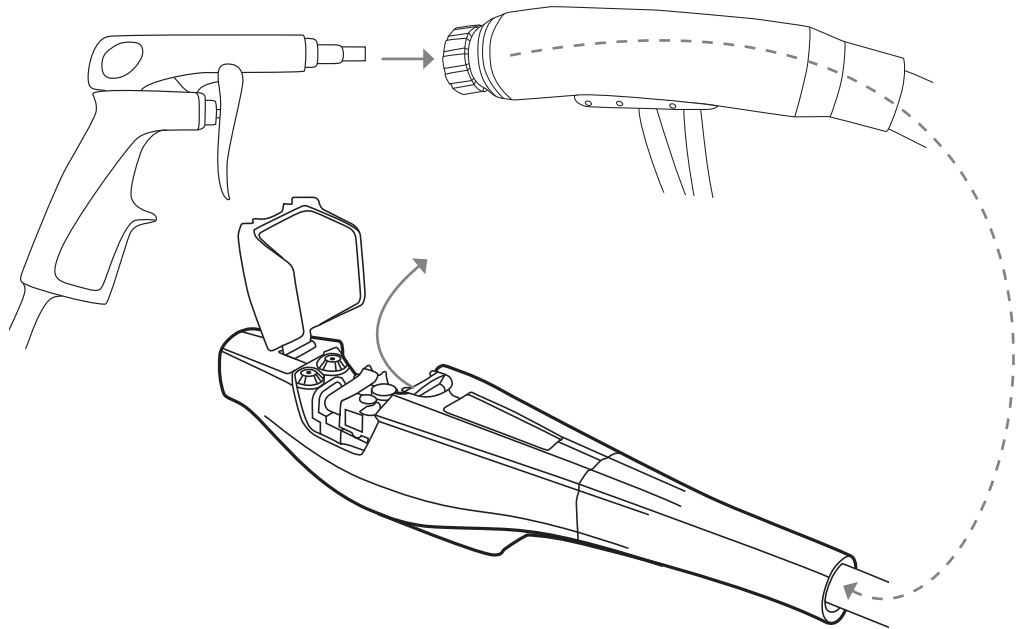
Correct operation of the machine and regular maintenance will help you avoid unnecessary downtime and equipment failure.

**NOTE!** Disconnect the machine from the mains before handling the electrical cables.

### 4.1 Daily maintenance

- Check the overall condition of SuperSnake and the welding gun. Remove welding spatter from the contact tip and clean the gas nozzle. Replace worn or damaged parts. Only use original Kemppi spare parts.
- Check the condition and connection of the welding circuit components: welding gun, earth return cable and clamp, sockets and connectors.
- Check the condition of the feed rolls, needle bearings and shafts. Clean and lubricate bearings and shafts with a small quantity of light machine oil if necessary. Assemble, adjust and test function.

**NOTE!** Clean system with dry compressed air at least every 5 x wire spool changes. Keep sub feeder cover open during the cleaning process.



### 4.2 Service shop maintenance

Kemppi Service Workshops complete maintenance according to their Kemppi service agreement.

Regular preventative maintenance by trained technicians will increase equipment life and ensure reliable operation.

## 5. DISPOSAL OF THE MACHINE



Do not dispose of electrical equipment with normal waste!

In observance of European Directive 2002/96/EC on waste electrical and electronic equipment, and its implementation in accordance with national law, electrical equipment that has reached the end of its life must be collected separately and taken to an appropriate environmentally responsible recycling facility.

The owner of the equipment is obliged to deliver a decommissioned unit to a regional collection centre, per the instructions of local authorities or a Kemppi representative. By applying this European Directive you will improve the environment and human health.

## 6. ORDERING NUMBERS

SuperSnake GT02S	10m	Gas cooled	6153100
SuperSnake GT02S	15m	Gas cooled	6153150
SuperSnake GT02S	20m	Gas cooled	6153200
SuperSnake GT02S	25m	Gas cooled	6153250
SuperSnake GT02SW	10m	Water cooled	6154100
SuperSnake GT02SW	15m	Water cooled	6154150
SuperSnake GT02SW	20m	Water cooled	6154200
SuperSnake GT02SW	25m	Water cooled	6154250
SuperSnake GT02SC For MagTrac F61 welding carriage	15m	Gas cooled	61531501
MXF sync kit			W004030
Rubber protection cover (for liquid cooled models)			W004466

## 7. TECHNICAL DATA

Connection voltage			50 V DC
Output 40 °C			380 A
Cabel ø			50 mm <sup>2</sup>
Welding current	I <sub>2</sub>	100%	300 A
	I <sub>2</sub>	60%	380 A
Supply voltage	U <sub>1</sub>		50 V DC
Supply current	I <sub>1</sub>		20 mA
Motor voltage	U <sub>motor</sub>		0 – 24 V DC
Motor current	I <sub>motor</sub>		5 A
Wire feed mechanism	2 roll		
Filler wires, 25 m	Fe/Ss		ø 1.0 – 1.6
	Al		ø 1.2 – 1.6
	FCW/MCW		ø 1.2 – 1.6
Wire feed speed			0 – 25 m/min
Gun connection			Euro
Maximum pressure			0.5 Mpa
External dimensions LxWxH	GT02S		371 x 94 x 125
	GT02SW		371 x 102 x 138
Weight	GT02S	10m	13.5 kg
		15m	20.5 kg
		20m	27.5 kg
		25m	34.5 kg
	GT02SW	10m	14.5 kg
		15m	22 kg
		20m	29.5 kg
		25m	37 kg
Operating temperature range			–20 ... +40 °C
Storage temperature range			–40 ... +60 °C
Degree of protection			IP23S
EMC class			A

EN

**KEMPPI OY**

Kempinkatu 1  
PL 13  
FIN-15801 LAHTI  
FINLAND  
Tel +358 3 899 11  
Telefax +358 3 899 428  
export@kemppi.com  
www.kemppi.com

**Kotimaan myynti:**

Tel +358 3 899 11  
Telefax +358 3 734 8398  
myynti.fi@kemppi.com

**KEMPPI SVERIGE AB**

Box 717  
S-194 27 UPPLANDS VÄSBY  
SVERIGE  
Tel +46 8 590 783 00  
Telefax +46 8 590 823 94  
sales.se@kemppi.com

**KEMPPI NORGE A/S**

Postboks 2151, Postterminalen  
N-3103 TØNSBERG  
NORGE  
Tel +47 33 346000  
Telefax +47 33 346010  
sales.no@kemppi.com

**KEMPPI DANMARK A/S**

Literbuen 11  
DK-2740 SKOVLUNDE  
DANMARK  
Tel +45 4494 1677  
Telefax +45 4494 1536  
sales.dk@kemppi.com

**KEMPPI BENELUX B.V.**

Postbus 5603  
NL-4801 EA BREDA  
NEDERLAND  
Tel +31 765717750  
Telefax +31 765716345  
sales.nl@kemppi.com

**KEMPPI (UK) LTD**

Martti Kemppi Building  
Fraser Road  
Priory Business Park  
BEDFORD, MK44 3WH  
UNITED KINGDOM

Tel +44 (0)845 6444201  
Telefax +44 (0)845 6444202  
sales.uk@kemppi.com

**KEMPPI FRANCE S.A.S.**

65 Avenue de la Couronne des Prés  
78681 EPONE CEDEX  
FRANCE  
Tel +33 1 30 90 04 40  
Telefax +33 1 30 90 04 45  
sales.fr@kemppi.com

**KEMPPI GMBH**

Perchstetten 10  
D-35428 LANGGÖNS  
DEUTSCHLAND  
Tel +49 6 403 7792 0  
Telefax +49 6 403 779 79 74  
sales.de@kemppi.com

**KEMPPI SPÓŁKA Z O.O.**

Ul. Borzymowska 32  
03-565 WARSZAWA  
POLAND  
Tel +48 22 7816162  
Telefax +48 22 7816505  
info.pl@kemppi.com

**KEMPPI AUSTRALIA PTY LTD**

13 Cullen Place  
P.O. Box 5256, Greystanes NSW 2145  
SMITHFIELD NSW 2164  
AUSTRALIA  
Tel. +61 2 9605 9500  
Telefax +61 2 9605 5999  
info.au@kemppi.com

**OOO KEMPPИ**

Polkovaya str. 1, Building 6  
127018 MOSCOW  
RUSSIA  
Tel +7 495 739 4304  
Telefax +7 495 739 4305  
info.ru@kemppi.com

**ООО КЕМППИ**

ул. Полковная 1, строение 6  
127018 Москва  
Tel +7 495 739 4304  
Telefax +7 495 739 4305  
info.ru@kemppi.com

**KEMPPI, TRADING (BEIJING) COMPANY LTD**

Room 420, 3 Zone, Building B,  
No.12 Hongda North Street,  
Beijing Economic Development Zone,  
100176 BEIJING  
CHINA  
Tel +86-10-6787 6064  
+86-10-6787 1282  
Telefax +86-10-6787 5259  
sales.cn@kemppi.com

肯倍贸易(北京)有限公司  
中国北京经济技术开发区宏达北  
路12号  
创新大厦B座三区420室(100176)  
电话: +86-10-6787 6064  
+86-10-6787 1282  
传真: +86-10-6787 5259  
sales.cn@kemppi.com

**KEMPPI INDIA PVT LTD**

LAKSHMI TOWERS  
New No. 2/770,  
First Main Road,  
Kazura Garden,  
Neelankarai,  
CHENNAI - 600 041  
TAMIL NADU  
Tel +91-44-4567 1200  
Telefax +91-44-4567 1234  
sales.india@kemppi.com

**KEMPPI WELDING SOLUTIONS SDN BHD**

No 12A, Jalan TP5A,  
Taman Perindustrian UEP,  
47600 Subang Jaya,  
SELANGOR, MALAYSIA  
Tel +60 3 80207035  
Telefax +60 3 80207835  
sales.malaysia@kemppi.com

www.kemppi.com

 **KEMPPИ**  
The Joy of Welding

1923520  
1336