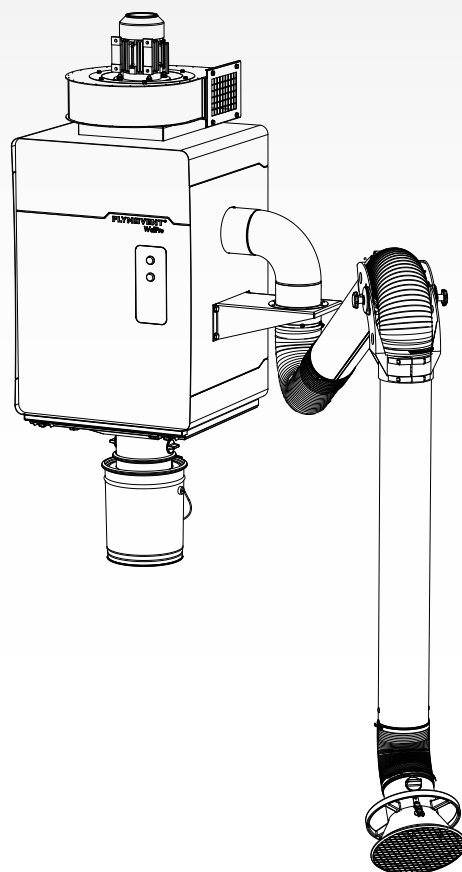


EN Stationary filter unit

WALLPRO



EN Installation and user manual

EN – ORIGINAL INSTRUCTION

All rights reserved. The information given in this document has been collected for the general convenience of our clients. It has been based on general data pertaining to construction material properties and working methods known to us at the time of issue of the document and is therefore subject at any time to change or amendment and the right to change or amend is hereby expressly reserved. The instructions in this publication only serve as a guideline for installation, use, maintenance and repair of the product mentioned on the cover page of this document. This publication is to be used for the standard model of the product of the type given on the cover page. Thus the manufacturer cannot be held responsible for any damage resulting from the application of this publication to the version actually delivered to you. This publication has been written with great care. However, the manufacturer cannot be held responsible, either for any errors occurring in this publication or for their consequences.

To improve comprehension for people whose first language is not English, we have written parts of this manual in Simplified Technical English (STE). STE is a controlled language originally developed for aerospace industry maintenance manuals. It offers a carefully limited and standardized subset of English, along with specific writing rules.










PREFACE

Using this manual

This manual is intended to be used as a work of reference for professional, well trained and authorised users to be able to safely install, use, maintain and repair the product mentioned on the cover of this document.

Pictograms and symbols

The following pictograms and symbols are used in this manual:

	TIP Suggestions and recommendations to simplify carrying out tasks and actions.
	ATTENTION A remark with additional information for the user. A remark brings possible problems to the user's attention.
	CAUTION! Procedures, if not carried out with the necessary caution, could damage the product, the workshop or the environment.
	WARNING! Procedures which, if not carried out with the necessary caution, may damage the product or cause serious personal injury.
	CAUTION! Denotes risk of electric shock.
	WARNING! Fire hazard! Important warning to prevent fire.
	WARNING! Explosion hazard! Important warning to prevent explosions.
	Personal protective equipment (PPE) Instruction to use respiratory protection when you do service, maintenance and repair jobs, as well as during functional testing. We recommend to use a half-face respirator according to EN 149:2001 + A1:2009, classe FFP3 (Directive 89/686/EEC).
	Personal protective equipment (PPE) Instruction to use protective gloves when you do service, maintenance and repair jobs.

Text indicators

Listings indicated by “-” (hyphen) concern enumerations.
Listings indicated by “•” (bullet point) describe steps to perform.

Service and technical support

For information about specific adjustments, maintenance or repair jobs which are not dealt with in this manual, please contact the supplier of the product. He will always be willing to help you. Make sure you have the following specifications at hand:

- product name
- serial number

You can find these data on the identification plate.

1 INTRODUCTION

1.1 Identification of the product

The identification plate contains, among other things, the following data:

- product name

- serial number
- supply voltage and frequency
- power consumption

1.2 General description

The WallPro is a stationary welding fume filter including one (WallPro *Single*) or two (WallPro *Double*) extraction arms and a fan. The highly efficient filter cartridge is automatically cleaned by the integrated RamAir™ pulse amplifier, based on external compressed air supply.

The extraction arm(s) can be mounted directly to the filter unit (“DM” types) or at an external position (“EM” types).

The WallPro *Basic* and WallPro *Basic PowerPlus* are filter units with fan but without extraction arm(s). They are suitable for connection to an external device.

1.2.1 Intensity of use

The WallPro Single “PowerPlus” – that combines the largest arm diameter with an extra powerful fan – is particularly suitable for heavy duty applications with large quantities of fume, such as flux-cored arc welding in combination with an automated welding process.

Extraction level	Max. extraction capacity per arm	Application
“Standard”	1000 m ³ /h	<i>medium</i> welding fume production
“Power”	1450 m ³ /h	<i>medium to heavy</i> fume production
“PowerPlus”	1800 m ³ /h	<i>very heavy</i> fume production

1.2.2 Configurations

Type	Extraction arm	Fan
WallPro Single-		
160/3	1x KUA-160/3H	FUA-3000
160/4	1x KUA-160/4H	
200/3	1x KUA-200/3H	
200/4	1x KUA-200/4H	FUA-4700
200/3 PowerPlus	1x KUA-200/3H	
200/4 PowerPlus	1x KUA-200/4H	
WallPro Double-		
160/3	2x KUA-160/3H	FUA-4700
160/4	2x KUA-160/4H	
200/3	2x KUA-200/3H	
200/4	2x KUA-200/4H	

Type	Duct connection	Fan
WallPro		
Basic	1x Ø 160 mm	FUA-3000
Basic PowerPlus	1x Ø 200 mm	FUA-4700

1.3 Options and accessories

The following products can be obtained as an option and/or accessory:

- Dustbin extension set (metric / imperial)
- WCS-WP | Welding cable sensor
- Filter disposal bag (5 pieces) | for dust-free filter removal

- SAS-250 straight | Silencer (straight) Ø 250 mm¹
- SAS-315 straight | Silencer (straight) Ø 315 mm²
- LL-5.5/24 | Manual on/off switch on the hood, incl. LED working light

1.4 Technical specifications

1.4.1 Filter unit

WallPro Single Double	
Material (housing)	electro-zinc coated steel
Weight	125 kg (excl. arm and fan)
Capacity of dustbin	18 litres
Filter cartridge	
Type	CART-O/PTFE/20
Filter material	BiCo polyester with PTFE membrane
Filter surface area	20 m ²
Washable	no
Compressed air system	
Required compressed air quality	dry and oil-free according to ISO 8573-3 class 6
Inlet pressure	5-10 bar (75-150 PSI)
Required pressure	5 bar (75 PSI) (by integrated pressure regulator)
Compressed air connection	G 3/8" (female)
Compressed air consumption	35 NI (1.2 ft ³) per pulse
Volume of compressed air tank	9 litres (2.4 gallon)
Welding fume class	
W3	according to ISO 15012-1:2013

1.4.2 Extraction arm

Type	KUA-160/3H	KUA-160/4H	KUA-200/3H	KUA-200/4H
Weight (incl. arm bracket)	19 kg	21 kg	33 kg	35 kg
Length	3 m	4 m	3 m	4 m
Diameter	Ø 160 mm		Ø 200 mm	

1.4.3 Fan

Type	FUA-3000	FUA-4700
Weight	22 kg	35 kg
Max. extraction capacity:		
<i>WallPro Single</i>		
• 1x KUA-160	1000 m ³ /h	n/a
• 1x KUA-200	1450 m ³ /h	1800 m ³ /h
<i>WallPro Double</i>		
• 2x KUA-160	n/a	2 x 1000 m ³ /h
• 2x KUA-200	n/a	2 x 1450 m ³ /h
<i>WallPro Basic</i>		
• 1 inlet (left or right)	1250 m ³ /h	2100 m ³ /h
• 2 inlets (left and right)	n/a	2 x 1550 m ³ /h

1. For fan type FUA-3000

2. For fan type FUA-4700 | Silencer strongly recommended in case of a WallPro-Single "PowerPlus"

Power consumption:		
• 50 Hz	1,1 kW (1.5 HP)	2,2 kW (3 HP)
• 60 Hz	1,5 kW (2 HP)	2,2 kW (3 HP)
Motor design:		
• 50 Hz	IEC	IEC
• 60 Hz	NEMA	NEMA
Energy efficiency:		
• 50 Hz	IE3 premium	IE3 premium
• 60 Hz		
Fan outlet (via transition)	Ø 250 mm	Ø 250 mm
Noise level	75 dB(A)	76 dB(A)
• with silencer (ref. par. 1.3)	67 dB(A)	71 dB(A)
Available connection voltages	400V/3ph/50Hz 208-230V/3ph/60Hz 460V/3ph/60Hz 575V/3ph/60Hz	

1.4.4 Control box

Certification	
WallPro 50Hz versions	CE
WallPro 60Hz versions	UL 508A

1.4.5 Dimensions


Refer to Fig. I on page 20.

1.5 Working range

Refer to Fig. II on page 21.

1.6 Ambient and process conditions

Process temperature:	
- min.	5°C (41°F)
- nom.	20°C (68°F)
- max.	70°C (158°F)
Max. relative humidity	90%
Suitable for outdoor use	no

	Refer to the available product data sheets for detailed product specifications.
---	---

1.7 Transport of the unit

You cannot hold the manufacturer liable for any transportation damage after delivery of the product.

2 PRODUCT DESCRIPTION

2.1 Components

The product consists of the following main components and elements:

Fig. 2.1

- A Extraction fan³
- B Filter cartridge
- C Extraction arm⁴

3. Type: FUA-3000 or FUA-4700

4. Type: KUA-160 or KUA-200

- D Arm bracket
- E Fan outlet transition
- F Service panel
- G RamAir™ pulse amplifier (filter cleaning system)
- H Indicator panel
- I Dustbin
- J Control box

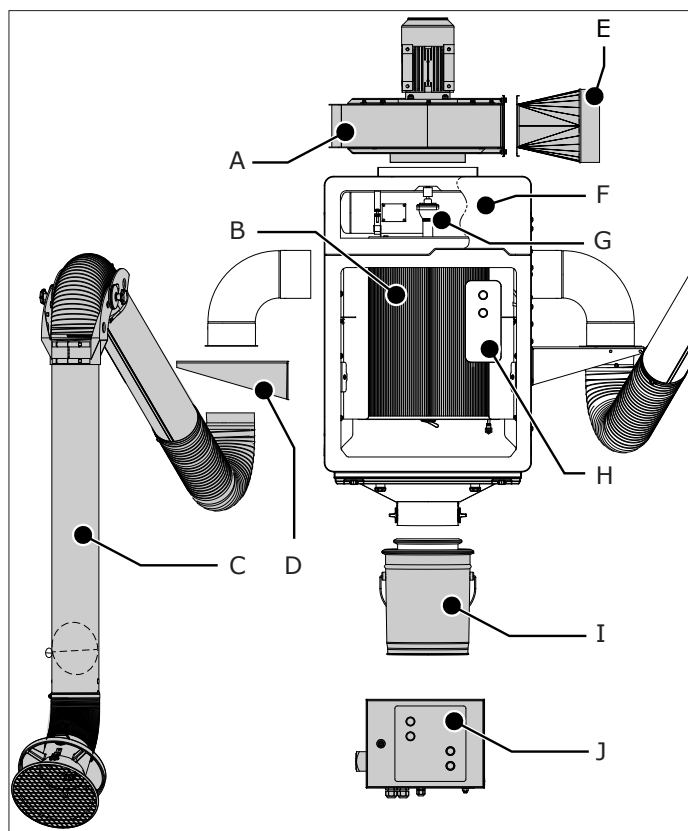


Fig. 2.1 Main components and elements


2.2 Operation

The WallPro works in accordance with the recirculation principle. Welding fume is extracted through the hood of the connected extraction arm(s) by the fan. The polluted air passes the deflector plate(s)⁵ behind the inlet opening(s) and is cleaned by the filter cartridge. The welding fume particles are collected at the outside of the filter cartridge. The cleaned air is returned in the workshop through the outlet of the fan or exhausted to the atmosphere via an outlet duct.

2.2.1 Filter cleaning system

The WallPro is provided with the RamAir™ pulse amplifier, which thoroughly cleans the filter cartridge by compressed air pulses from the inside out. Filter cleaning mainly takes place offline (=while the fan is off)⁶. If the pressure drop over the filter cartridge reaches the pre-set threshold value during use, an online cleaning cycle takes place. You can activate the filter cleaning system manually as well (both offline and online).

The dust and dirt particles fall into the dustbin.

 Refer to paragraph 5.3 for more details about the activation of the cleaning system.

5. To protect the filter cartridge and to distribute the air equally inside the unit
6. Offline filter cleaning is the most effective way of cleaning. The combination of offline and online cleaning guarantee the optimum performance of the unit.

3 SAFETY INSTRUCTIONS

General

The manufacturer does not accept any liability for damage to the product or personal injury caused by ignoring of the safety instructions in this manual, or by negligence during installation, use, maintenance, and repair of the product mentioned on the cover of this document and any corresponding accessories.

Specific working conditions or used accessories may require additional safety instructions. Immediately contact your supplier if you detect a potential danger when using the product.

The user of the product is always fully responsible for observing the local safety instructions and regulations. Observe all applicable safety instructions and regulations.

User manual

- Everyone working on or with the product, must be familiar with the contents of this manual and must strictly observe the instructions therein. The management should instruct the personnel in accordance with the manual and observe all instructions and directions given.
- Do not change the order of the steps to perform.
- Keep the manual with the product.

Users

- The use of this product is exclusively reserved to authorised, trained and qualified users. Temporary personnel and personnel in training can only use the product under supervision and responsibility of skilled engineers.
- Stay alert and keep your attention to your work. Do not use the product when you are under the influence of drugs, alcohol or medicine.
- The product is not to be used by children or persons with reduced physical, sensory or mental capabilities, or lack of experience and knowledge, unless they have been given supervision or instruction.
- Children must be supervised not to play with the product.

Intended use⁷

The product has been designed exclusively for extracting and filtering gases and particles which are released during the most common welding processes. Using the product for other purposes is considered contrary to its intended use. The manufacturer accepts no liability for any damage or injury resulting from such use. The product has been built in accordance with state-of-the-art standards and recognised safety regulations. Only use this product when in technically perfect condition in accordance with its intended use and the instructions explained in the user manual.

Technical specifications

Do not change the specifications given in this manual.

Modifications

Modification of (parts of) the product is not allowed.




Installation

- The installation of this product is exclusively reserved to authorised, trained and qualified engineers.
- The electric connection must be executed in accordance with the local codes and requirements. Ensure compliance with the EMC regulatory arrangements.

7. "Intended use" as explained in EN-ISO 12100-1 is the use for which the technical product is suited as specified by the manufacturer, inclusive of his directions in the sales brochure. In case of doubt it is the use which can be deduced from the construction, the model and the function of the technical product which is considered normal use. Operating the machine within the limits of its intended use also involves observing the instructions in the user manual.

- During installation, always use Personal Protective Equipment (PPE) to avoid injury. This also applies to persons who enter the work area during installation.
- Use sufficient climbing gear and safety guards when working on a higher level than 2 metres (local restrictions may apply).
- Do not install the product in front of entrances and exits which must be used for emergency services.
- Mind any gas and water pipes and electric cables.
- Make sure that the workspace is well illuminated.
- Stay alert and keep your attention to your work. Do not install the product when you are under the influence of drugs, alcohol or medicine.
- Air containing particles such as chromium, nickel, beryllium, cadmium, lead etc., should never be recycled. This air must always be brought outside the working area.





Use

	<p>WARNING! Fire hazard! Do not use the product for:</p> <ul style="list-style-type: none"> - polishing applications in combination with grinding, welding or any other application that generate sparks (fibers from polishing or abrasive flap disks are highly flammable and pose a high risk of filter fires when exposed to sparks) - arc-air gouging - extracting and/or filtering flammable, glowing or burning particles or solids or liquids - extracting and/or filtering of aggressive fumes (such as hydrochloric acid) or sharp particles - extracting and/or filtering dust particles which are released when welding surfaces treated with primer - sucking cigarettes, cigars, oiled tissues, and other burning particles, objects, and acids
	<p>WARNING! Explosion hazard! Do not use the product for explosion-hazardous applications, e.g.:</p> <ul style="list-style-type: none"> - aluminium laser cutting - grinding aluminium and magnesium - explosive environments or explosive substances/gases
	<p>WARNING! Do not use the product for:</p> <ul style="list-style-type: none"> - extraction of hot gases (more than 70°C/158°F continuously) - flame spraying - oil mist - heavy oil mist in welding fume - extraction of cement, saw dust, wood dust etc.

- Inspect the product and check it for damage. Verify the functioning of the safety features.
- During use, always use Personal Protective Equipment (PPE) to avoid injury. This also applies for persons who enter the work area.
- Check the working environment. Do not allow unauthorised persons to enter the working environment.
- Protect the product against water and humidity.
- Make sure the room is always sufficiently ventilated; this applies especially to confined spaces.
- Make sure that the workshop, in the vicinity of the product, contains sufficient approved fire extinguishers (suitable for fire classes ABC).
- Do not leave any tools or other objects in or on the unit.
- The welding current return circuit between the workpiece and the welding machine has a low resistance. Thus avoid connection between the workpiece and the WallPro, so that there is no possibility of the welding current flowing back to the welding machine via the protective earth conductor of the WallPro.

Service, maintenance and repairs

- Obey the maintenance intervals given in this manual. Overdue maintenance can lead to high costs for repair and revisions and can render the guarantee null and void.
- Always use Personal Protective Equipment (PPE) to avoid injury. This also applies for persons who enter the work area.
- Make sure the room is sufficiently ventilated.
- Use tools, materials, lubricants and service techniques which have been approved by the manufacturer. Never use worn tools and do not leave any tools in or on the product.
- Use sufficient climbing gear and safety guards when working on a higher level than 2 metres (local restrictions may apply).
- Clean the area afterwards.

	<p>ATTENTION Service, maintenance and repairs must be performed in accordance with directive TRGS 560 and TRGS 528 by authorised, qualified and trained persons (skilled) using appropriate work practices.</p>
	<p>ATTENTION Before you carry out service, maintenance and/or repair jobs: - fully disconnect the unit from the mains</p>
	<p>Personal protective equipment (PPE) Wear respiratory protection and protective gloves during service, maintenance and repairs.</p>
	<p>WARNING The industrial vacuum cleaner that you use during service and maintenance must meet dust class H according to EN 60335-2-69 or HEPA class (efficiency $\geq 99.97\%$ at 0.3 μm).</p>

4 INSTALLATION

4.1 Tools and requirements

You need the following tools and requirements to install the unit:

- basic tools
- fork-lift truck
- electrical tools

4.1.1 To be sourced locally

General

- Wall mounting hardware for the filter unit⁸
- Mains cable: 4G1.5
 - type H05VV-F (PVC, standard cable); or:
 - type H05RN-F (rubber, for heavy duty, e.g. when part of the cable is on the floor)
- Motor cable: 4G1.5
 - type H05VV-F (PVC, standard cable); or:
 - type H05RN-F (rubber, for heavy duty, e.g. when part of the cable is on the floor)
- Quick disconnect coupling with a male G 3/8" thread
- Compressed air hose

WallPro type "EM" only

- Wall mounting hardware for the arm bracket(s)⁹
- Ducting \varnothing 160 mm (6 in.) / \varnothing 200 mm (8 in.)¹⁰ between the filter unit and the arm bracket(s)

8. The type of hardware depends on the wall type

9. For mounting at an external position; the type of hardware depends on the wall type

10. Depending on the type of extraction arm

WallPro "UL" types¹¹ (60Hz versions) only

- Components necessary for electrical installation according to UL and federal, state or local wiring regulations

Option

- In case of a dustbin extension set:
 - duct Ø 200 mm or 8 in.

4.2 Unpacking

Make sure that the product is complete. The package contains:

Filter unit

- Filter unit (without side panels), incl. 10 m cable¹²
- Wall bracket
- Dustbin set
- Air hose (filter pressure) 2x10 m
- SealApplicator (seal assembly lubricant)
- Filter disposal bag (5 pieces)
- Mounting material

Side panel (2)

- Side panel

Mounting kit

- Mounting and ducting material (types "DM" only)
- Inlet flange + non-return valve

Additionally for "EM" configurations in 60Hz:

- Duct adapter metric-imperial¹³
(WallPro Single: 1 piece | WallPro Double: 2 pieces)

For an overview of the mounting material per specific configuration, refer to Fig. IV on page 22.

Extraction arm (1 or 2)

Refer to the installation manual of the KUA-160 or KUA-200, that is supplied with the product.

Extraction fan

- Fan
- Fan outlet transition (from rectangular to round Ø 250 mm)

Control equipment

- Control box

4.3 Stationary filter unit

ATTENTION
It is important to follow the mounting sequence as written in this (4.3) and the next (4.4) chapter.

The table below explains the various configuration types.

WallPro type					Explanation
Single-					1 extraction arm
Double-					2 extraction arms
Basic					no extraction arm(s)
	160/				Arm diameter Ø 160 mm
	200/				Arm diameter Ø 200 mm
		3-			Arm length 3 m
		4-			Arm length 4 m
			DM		Direct mount
			EM		External mount

11. The "UL" certification applies to the control box

12. For connection with the control box

13. From Ø 160 to Ø 6 in. / Ø 200 to Ø 8 in., depending on the configuration

				CE	Control box: CE marking
				UL	Control box: UL certified

A number of installation steps are only applicable to one or more specific configurations. These are indicated at the beginning of a certain paragraph. The grey/empty cells are universal.

Some examples:

In case of:					
				DM	

Applies to all "DM" types

In case of:					
WallPro Single-					
				EM	

Applies to all WallPro Single types and all "EM" types

Write your configuration type below.

WallPro type

--	--	--	--

TIP
For stable assembly conditions, we recommend to leave the filter unit on the pallet (until step 4.6).

4.3.1 Reinforcement plate

In case of:					
				DM	

In case of a WallPro Single "DM" (direct mount) you must install a reinforcement plate behind the lower part of the side panel to carry the weight of the arm bracket + extraction arm. The package of the WallPro Double "DM" contains two reinforcement plates for both sides of the filter housing.

In case of a WallPro type "EM" (external mount), where the extraction arm is mounted separately from the filter unit, the reinforcement plate is not necessary. In that case, proceed with par. 4.3.2.

To install the reinforcement plate, do the following.

Fig. 4.2

- Insert the 4 cage nuts M12 from the inside in the corresponding positions of the plate;
 - KUA-160 / arm Ø 160 mm: inner positions (A)
 - KUA-200 / arm Ø 200 mm: outer positions (B)

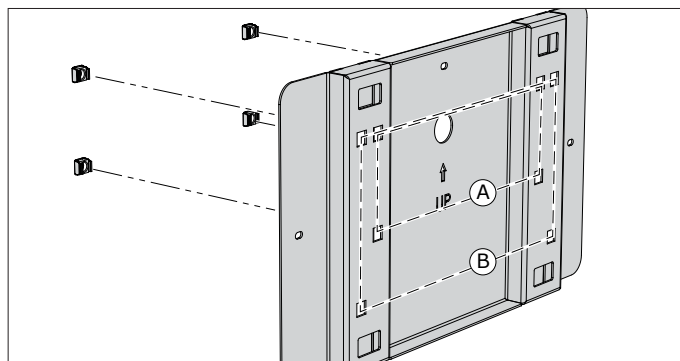


Fig. 4.2 Cage nuts

Fig. 4.3

- Determine on which side¹⁴ you want to install the extraction arm (left or right).
- Install the reinforcement plate on that side of the filter unit with the 7 flange bolts M6x16.

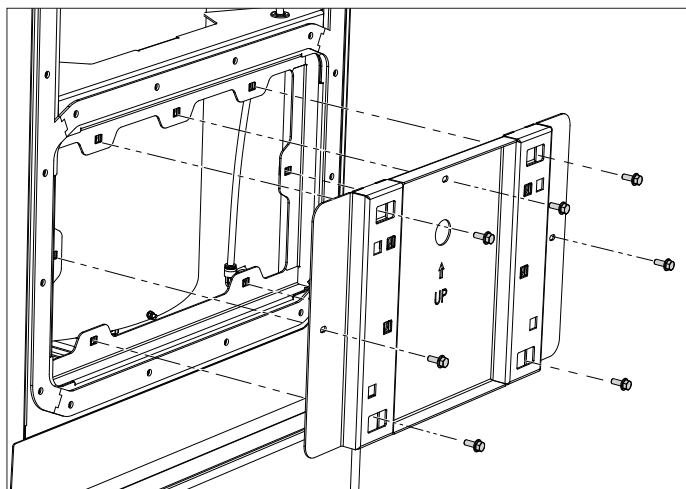


Fig. 4.3 Mounting of the reinforcement plate

4.3.2 Inlet flange + non-return valve (assembly)

Applies to all types of units

You must install the assembly, that consists of an inlet flange with non-return valve, on the side panel of the filter unit. In case of a WallPro Double, you must install an assembly on both side panels.

The side panels are universal, so you can install them either left or right.

To install the assembly, do the following.

Fig. 4.4

- Depending on the mounting position¹⁵, determine the inside of the side panel.
- Put sealing material (E) around the inlet opening on the inside of the side panel.
- Insert the assembly from the inside of the panel through the opening. Make sure that the axis of the non-return valve is in vertical position (B).
- Attach the assembly (A) to the side panel with the 6 bolts M6, washers and nuts.
- Secure the non-return valve to the inlet flange with 2 self-tapping screws (F+G). Two small holes in the inlet flange indicate the correct position. Make sure that you install one screw on top and the other one at the bottom of the assembly.
- Make sure that the non-return valve can fully open.

In case of a LL-5.5/24 | Manual on/off switch on the hood, incl. LED working light (option)

- Install the cable gland M16 + nut M16 (C).

If not:

- Install the screw plug M16 + nut M16 (D).

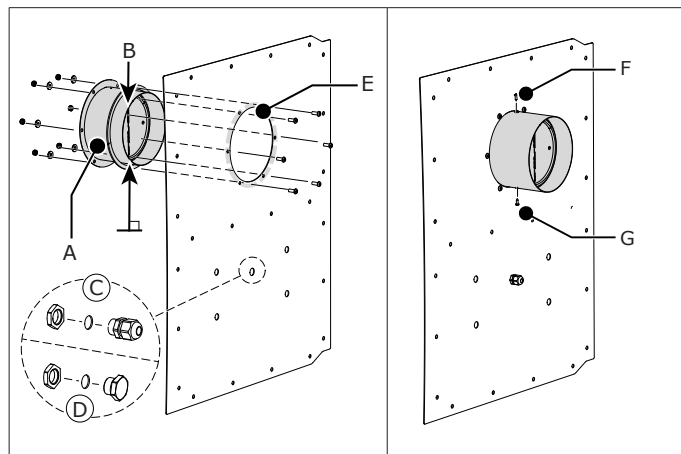


Fig. 4.4 Inlet flange + non-return valve (assembly)

4.3.3 Side panel

In case of:			
		DM	

	Make sure that you have the 4 bolts M12 at hand that you need to install the arm bracket.
	For the correct use of SealApplicator, refer to the instruction sheet that is supplied with the spray bottle.
	Refer to Fig. V on page 23 for the exact mounting position of the side panel with respect to the cover plates (top + bottom) .

Fig. 4.5

- (1) Remove the backing material of the seals.
- (2) Spray SealApplicator lubricant on the seals¹⁶.
- (3) Put the side panel **within 60 seconds**¹⁷ on the filter unit.
- (4) Align the side panel with the 4 bolts M12x30 into the cage nuts and partly tighten them¹⁸.
- (5) Install the side panel with the 24 bolts M6x16 + sealing washers M6.
- (6) Disassemble the 4 bolts M12x30.

14. In case of a WallPro Double you must install a reinforcement plate on both sides

15. On the left or right side of the filter unit

16. By the use of SealApplicator you can slightly shift the side panel to get the right position. After approx. 60 seconds the lubricant is dry so you cannot shift anymore.

17. After approx. 60 seconds SealApplicator lubricant loses its functions and you cannot shift anymore.

18. You must remove them later on to install the arm bracket.

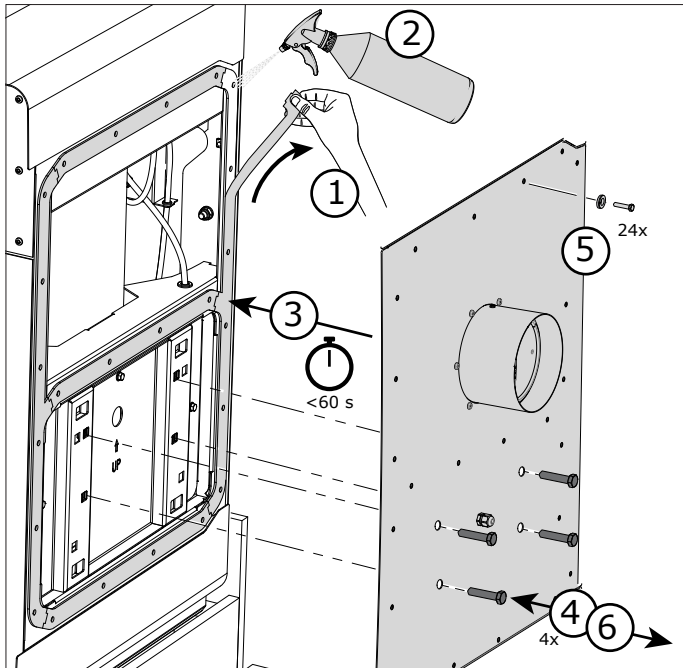


Fig. 4.5 Mounting of the side panel

In case of:				
WallPro Double-			DM	

- Repeat the instructions of paragraph 4.3.3 to install the other side panel.

In case of:				
WallPro Single-				
WallPro Basic				
			EM	

- Repeat the instructions of paragraph 4.3.3 to install the side panel¹⁹, with the exception of steps (4) and (6). To align the panel, put two bolts M6x16 in the top corners first. Then install the remaining 22 bolts.

4.3.4 Arm bracket

In case of:				
			DM	

ATTENTION! Make sure that you have installed the reinforcement plate behind the side panel; refer to paragraph 4.3.1.

Fig. 4.6

- Install the arm bracket on the filter unit with 4 bolts M12x30²⁰ and washers M12.

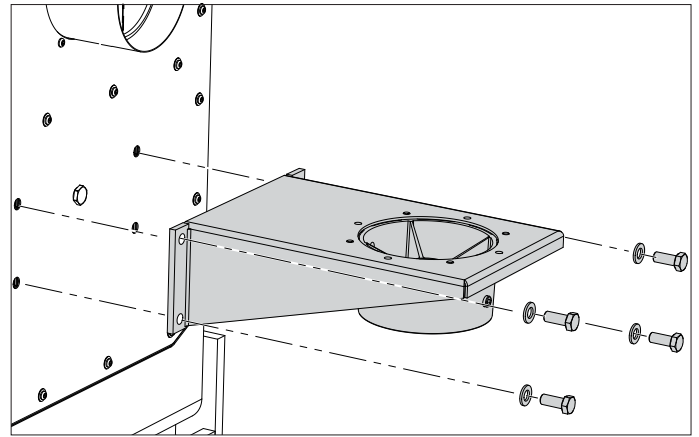


Fig. 4.6 Mounting of the arm bracket

In case of:				
WallPro Double-			DM	

If applicable:

- Do the same procedure for the other arm bracket.

In case of:				
			EM	

Recommended installation height of the arm bracket: at approx. 2-2,3 m (6.5-7.5 ft) from the floor (top of the wall bracket). Also refer to the footnote on page 10.

- Install the arm bracket(s) at the desired position on the wall, preferably as close as possible to the filter unit.

4.4 Extraction fan

Depending on the selected configuration, the package contains a fan type FUA-3000 or FUA-4700. You can install the fan in different positions to get the desired outlet direction;

- FUA-3000: 6 possible directions
- FUA-4700: 2 possible directions (left and right)

Refer to Fig. III on page 21 for an overview of the possible outlet directions.

To install the fan, do the following.

Fig. 4.7

- Put adhesive rubber strip (A) around the inlet opening on top of the filter unit. Make sure that the strip does not entirely cover the holes.
- Disassemble the service panel (refer to Fig. 2.1F).

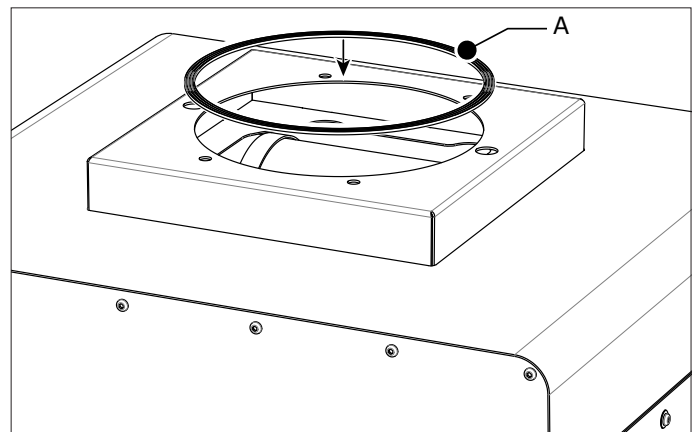



Fig. 4.7 Adhesive rubber strip

19. WallPro Single: blind side panel | WallPro "EM": side panel with inlet flange + non-return valve

20. The ones you used to align the side panel in step 4.3.3

 If you intend to connect an outlet duct and/or silencer to the fan, we recommend to install the necessary outlet transition (from rectangular to round) first. Refer to paragraph 4.10.1 for the installation instruction.

The inlet flange of the fan contains 6 bolts. The positions of these bolts correspond with the 6 holes on top of the filter unit; 2 large and 4 small holes. To install the fan, you only need the 4 small holes.

Fig. 4.8

- Determine the desired outlet direction of the fan.
- Determine which 4 bolts correspond with the 4 small holes in the filter unit.
- Remove these 4 bolts from the inlet flange²¹.
- (1) Put 4 positioning studs (A) at the position of the removed bolts.
- (2) Carefully put the fan on top of the filter unit. Make sure to put the positioning studs in the 4 holes.
- Put 4 flange locknuts M8 (B) from the inside on the studs and tighten them.
- Install the service panel.

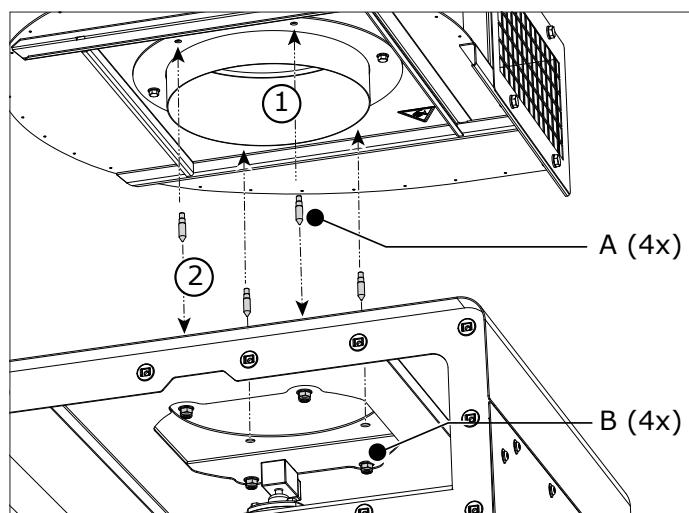


Fig. 4.8 Positioning studs

4.5 Compressed air connection (filter unit)

 **ATTENTION**
The compressed air must be dry and oil-free according to ISO 8573-3 class 6.

Fig. 4.9

- Install a quick disconnect coupling with a male G 3/8" thread to the female fitting (A) on the unit.
- Install a compressed air supply hose to this coupling.
- Connect the air hoses²² in the connectors + and - (B+C).

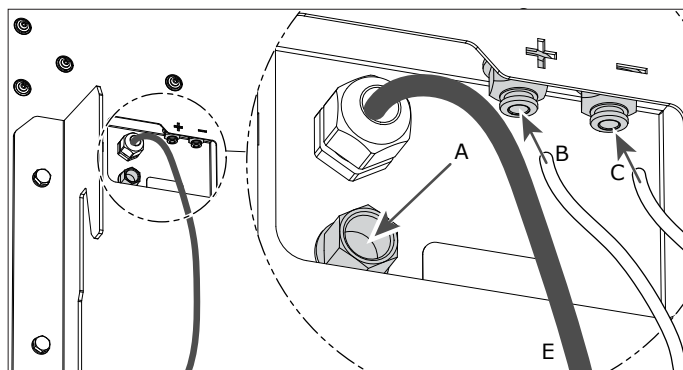



Fig. 4.9 Compressed air connection (rear of the unit)

4.6 Wall bracket

 **ATTENTION!**
Before you install the wall bracket, make sure that the wall or mounting structure is strong and rigid enough. Refer to section 1.4 for the weight of the filter unit, fan and extraction arm(s).

- Refer to Fig. VI on page 23 for the recommended installation height²³ and the hole pattern of the wall bracket.

To install the wall bracket, do the following.

Fig. 4.10

- The wall bracket is temporarily attached to the unit by a cable tie. Cut the cable tie.
- Install the wall bracket (B) to the wall or mounting structure. Use all 4 mounting points. Make sure that the wall bracket is level.
- Lift the unit and insert the hooks (A) in the slots of the wall bracket.
- Secure the unit to the wall bracket with the bolts M10x30, locknuts M10 and washers M10 (C).

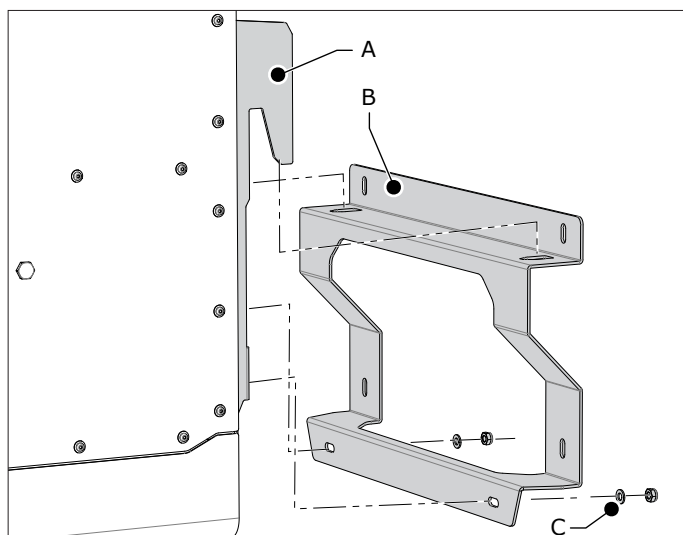


Fig. 4.10 Mounting of the wall bracket

21. You do not need these four bolts anymore. The other two bolts remain unused but must stay in the inlet flange

22. The different colours simplify correct connection to the control box

23. In case of an "EM" type, the installation height is less critical, since the extraction arms are mounted separately from the filter unit. However, to avoid bends (=pressure drop) in the ducting, we recommend to install the filter unit at the indicated height and to connect the arms as close as possible to the filter unit.

4.7 Extraction arm

For assembly of the extraction arm(s), refer to the installation manual of the KUA-160 or KUA-200, that is supplied with the product.

4.7.1 LL-5.5/24 | Manual on/off switch on the hood, incl. LED working light (option)

- Install the LL-5.5/24 in the hood of the extraction arm in accordance with the instruction sheet that is supplied with the product.

Subsequently:

Fig. 4.11

- Feed the cable through the extraction arm to the rotating flange (A).
- Feed the cable through the grommet into the cable gland (B).
- Tighten the cable gland.

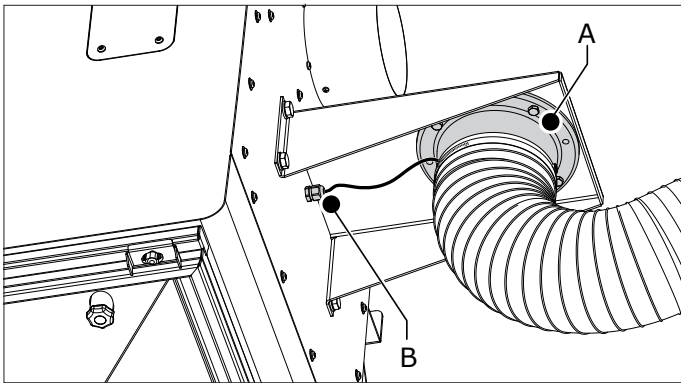


Fig. 4.11 Grommet + cable gland

Fig. 4.12

- Release the hopper (D) to get access to the inside of the unit.
- "DM" types only: Feed the cable through the reinforcement plate (A).
- Remove the blind plug (C) from the nearest (left or right)²⁴ cable gland (B), just below the indicator panel.
- Feed the cable through the cable gland (B) inside the unit.
- Tighten the cable gland.

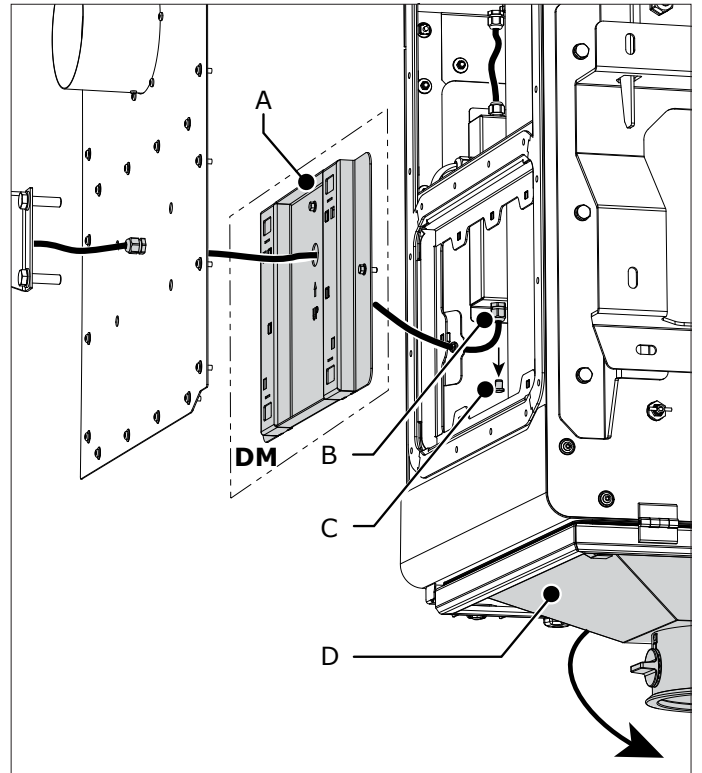


Fig. 4.12 Cable connection

Fig. 4.13

- Remove the cover of the indicator panel.
- Cut the cable to the appropriate length.
- Connect the cable as indicated below. The wire numbers (#) correspond with those on the instruction sheet that is supplied with the LL-5.5/24²⁵.

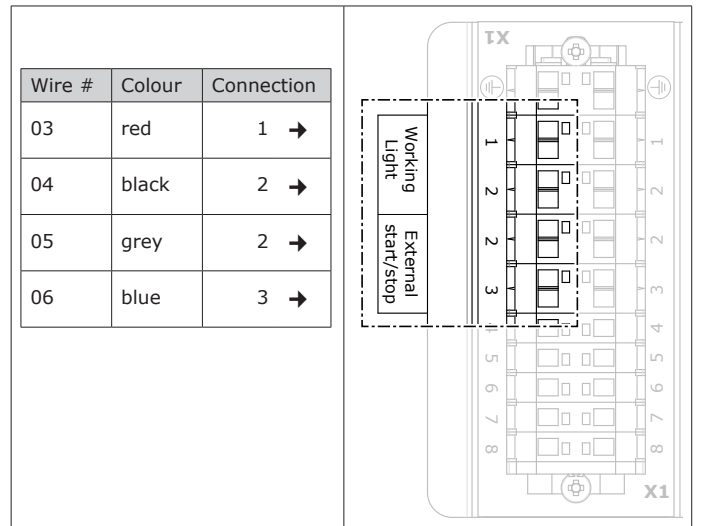


Fig. 4.13 Cable connection inside indicator panel



ATTENTION!

Before you proceed, make sure that all cable glands are fully tightened, to prevent leakage of dust.

4.7.2 Inlet ducting

In case of:

			DM	
--	--	--	----	--

24. In case of a WallPro Double: use the left cable gland for the left arm and vice versa

25. Manual on/off switch on the hood, incl. LED working light

Fig. 4.14

- Put adhesive rubber strip (G) around the opening of the arm bracket. Make sure that the strip does not entirely cover the holes.
- Put the mounting flange (D) over the duct flange (C).
- Put the bend (E) into the duct flange (C).
- Put the other side of the bend (E) into the inlet flange²⁶ (B).
- Install the mounting flange to the arm bracket with 4x bolts M8 with 8x washers and 4x locknuts (F), that are supplied with the extraction arm.
- Make sure that all connections are airtight.

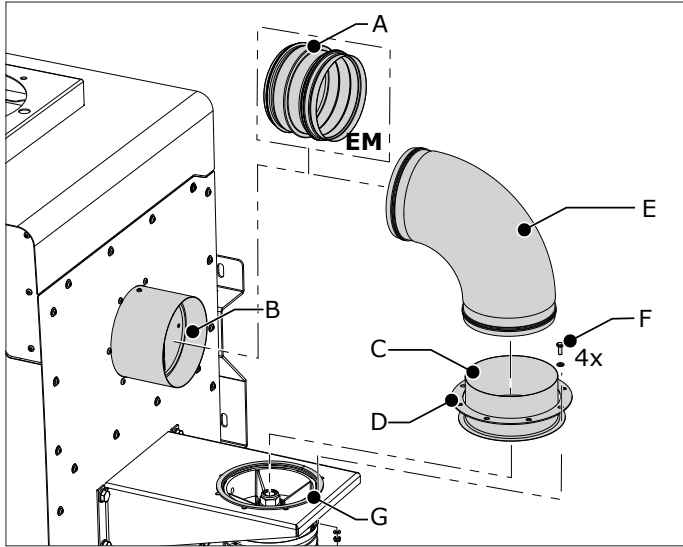


Fig. 4.14 Inlet ducting

In case of:			
			EM

- If applicable²⁷: install the duct adapter metric-imperial (A) in the inlet flange (B).
- Install ducting²⁸ between B (or A) and the extraction arm.
- Make sure that all connections are airtight.

4.8 Dustbin

To install the dustbin, do the following.

- Install the dustbin assembly (C) to the hopper (A) with the supplied duct clamp (B).
- Turn the rotary knob (D) in vertical position to open the shut-off valve.

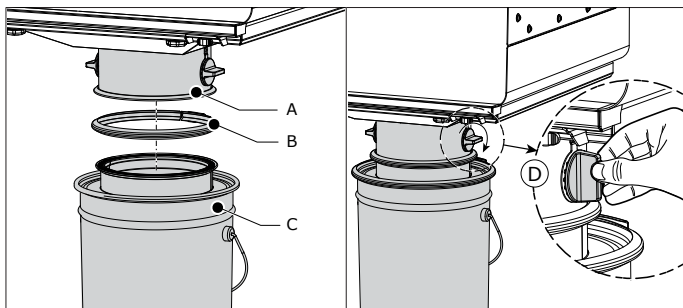


Fig. 4.15 Mounting of the dustbin

26. Inlet flange + non-return valve (assembly)

27. In case of 60Hz configurations with an imperial duct size (Ø 6 in. or Ø 8 in.)

28. Ø 160 mm / 6 in. or Ø 200 mm / 8 in., depending on the inlet diameter

4.8.1 Dustbin extension set (option)

For easy maintenance, you can install the dustbin on the floor via the dustbin extension set.

The dustbin extension set consists of the following components:

Fig. 4.10

- A Duct connection ring
- B Extension duct Ø 200 mm / Ø 8 in. (to be sourced locally)
- C Hose clamp
- D Rubber collar
- E PVC hose
- F Hose clamp
- G Rubber collar
- H Hose connection ring
- I Duct clamp

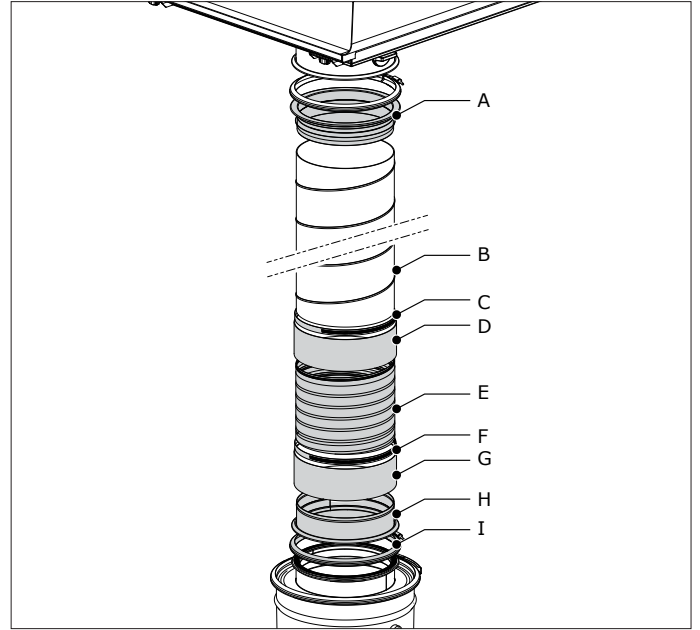
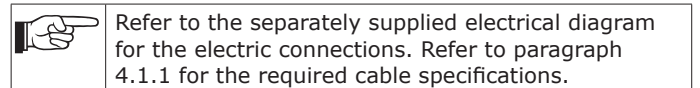


Fig. 4.10 Dustbin extension set

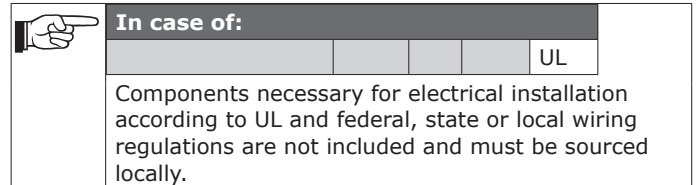
- Install the dustbin extension set between the filter unit and the dustbin with the supplied components + extension duct.
- Use the rubber collars to make the connections airtight.

4.9 Control box

4.9.1 Connections



Refer to the separately supplied electrical diagram for the electric connections. Refer to paragraph 4.1.1 for the required cable specifications.



In case of:

				UL
--	--	--	--	----

Components necessary for electrical installation according to UL and federal, state or local wiring regulations are not included and must be sourced locally.

Fig. 4.20

- Install the control box at an appropriate position.
- Connect the control box to the fan (B).
- Connect the control cable (C) from the filter unit to the control box (refer to Fig. 4.9E).

- Install the air hoses (D). Make sure that the + and - corresponds with the + and - connection on the rear of the filter unit²⁹ (refer to Fig. 4.9B+C).

In case of:

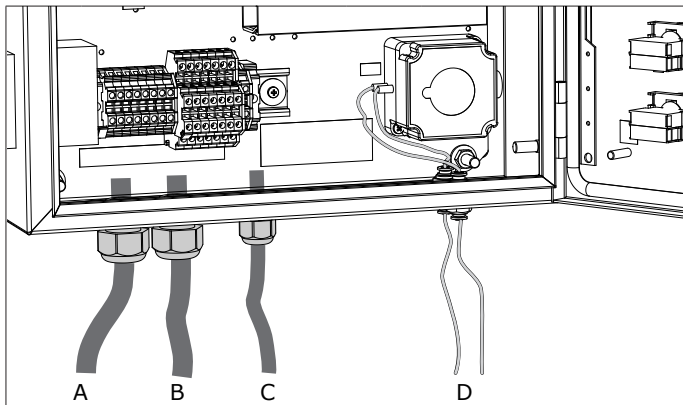
					UL
--	--	--	--	--	----

Default connection of the transformer is 600V (E). Depending on the configuration of the fan motor and the local power supply, you must change the connection.

- If applicable: change the connection of the transformer (E).

Applies to all types of units

- Connect the control box to the mains (A).



Connections:			
A	Mains cable	to	mains
B	Motor cable	to	fan
C	Control cable	to	filter unit
D	Air hoses	to	filter unit

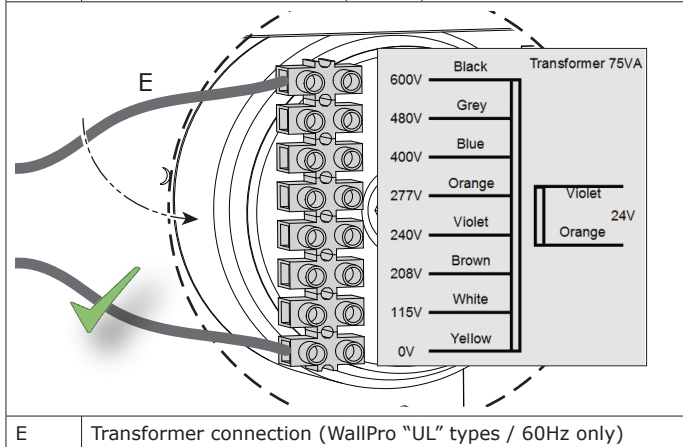


Fig. 4.20 Control box

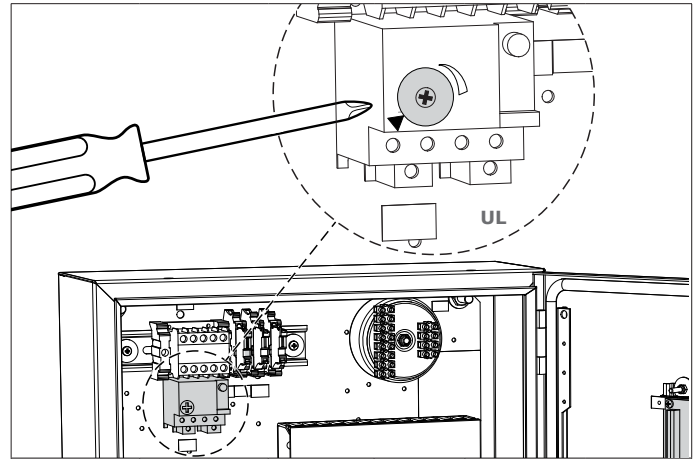
In case of:

					UL
--	--	--	--	--	----

Depending on the connection voltage of the fan, you must set the thermal relay inside the control box to the correct value.

Fig. 4.21

- Determine the thermal relay setting that belongs to your specific configuration in the table below.
- Adjust the thermal relay to the correct setting with a Phillips-head screwdriver.



WallPro	Fan type	Conn. voltage	Power	Thermal relay	
				Range	Setting
Single	FUA-3000	230 V	2 HP	4.0-6.3 A	5.2 A
		460 V	2 HP	2.2-3.2 A	2.4 A
		575 V	2 HP	1.7-2.4 A	2.1 A
PowerPlus	FUA-4700	230 V	3 HP	7.5-10.5 A	8.8 A
Double		460 V	3 HP	4.0-6.3 A	4.0 A
		575 V	3 HP	2.2-3.2 A	2.9 A

Fig. 4.21 Thermal relay setting

4.9.2 Pressure setting

Applies to all types of units

The differential pressure switch inside the control panel activates the filter cleaning system as soon as the pressure drop reaches the threshold value. This guarantees the optimum performance of the unit. The pressure setting depends on the specific configuration and motor frequency.

- Determine the required threshold value (pressure in mbar) from the table below.

WallPro	Arm Ø	Fan power		Pressure setting (mbar)	
		50 Hz	60 Hz	50 Hz	60 Hz
Single	160	1,1 kW	1,5 kW (2 HP)	9	15
	200	1,1 kW	1,5 kW (2 HP)	13	19
		2,2 kW (3 HP) (PowerPlus)		19	27
Double	160	2,2 kW	2,2 kW (3 HP)	14	23
	200	2,2 kW	2,2 kW (3 HP)	18	25
Basic*)	n/a	1,1 kW	1,5 kW (2 HP)	9	15
		2,2 kW (3 HP) (PowerPlus)		19	27

*) As the manufacturer does not know in which configuration the WallPro Basic is installed, you must use these pressure setting values as a guideline only. The optimum pressure setting will be a matter of experience. The lower the pressure setting, the sooner the filter cleaning system is activated.

In case of early activation: increase the pressure setting.
In case of late activation: decrease the pressure setting.

Recommended step size to increase/decrease is 3 mbar.

Fig. 4.22

- Demount the transparent cover of the differential pressure switch.
- Set the required pressure according to the table.
- Install the cover.
- Close and lock the control box.

29. Mind the colour of the hoses

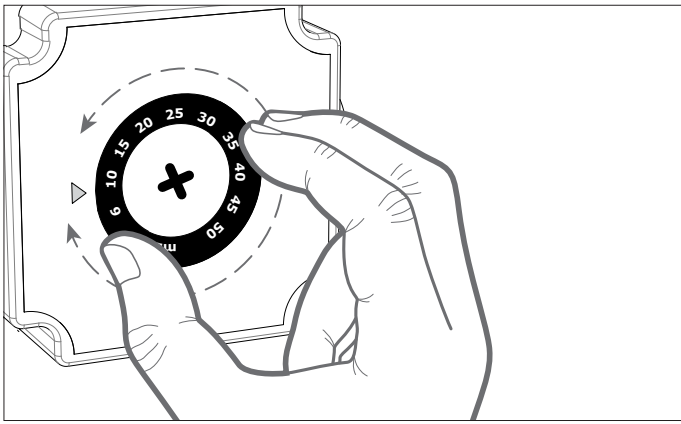
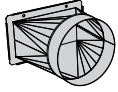


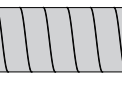

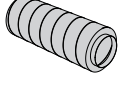

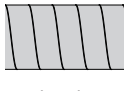



Fig. 4.22 Differential pressure switch

4.10 Fan outlet

The fan has a rectangular outlet with grid for recirculation³⁰ of the filtered air into the workshop. In that case the supplied fan outlet transition –from rectangular to round– is redundant.

For mounting to the optional silencer³¹ or an outlet duct, you must install the fan outlet transition first. The table below shows the various outlet possibilities.

Fan outlet	 Outlet transition		 Recirculation
			 Exhaust to atmosphere
	 Outlet duct	 Exhaust to atmosphere	
		 Silencer	 Recirculation
	 Outlet duct	 Exhaust to atmosphere	

4.10.1 Fan outlet transition

Fig. 4.23

- Determine the desired outlet configuration.

In case of direct recirculation of the air, the outlet transition is redundant.

If applicable:

- Disassemble the grid (A).
- Install the outlet transition (B) to the fan with the bolts and nuts of the grid.
- Install the the optional silencer and/or the outlet duct to the outlet transition.

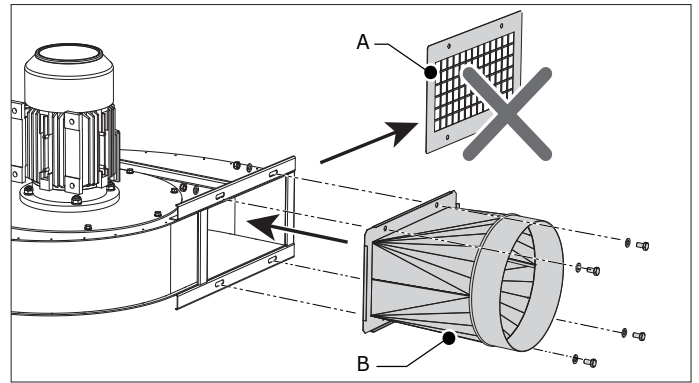


Fig. 4.23 Fan outlet transition

4.11 Commissioning checklist

#	Check	Ref. par.	OK
1.	Are all cables correctly installed?	4.9.1	
2.	Are the air hoses (+ and -) correctly installed?	4.9.1	
3.	Is the direction of rotation of the fan correct? An arrow on the fan housing indicates the correct direction.		
4.	Is the filter unit connected to the compressed air supply?	4.5	
5.	<i>In case of the optional LL-5.5/24 (on/off switch + working light):</i> Are all cable glands fully tightened?	4.7.1	
6.	Is the pressure setting correct?	4.9.2	
7.	Is the shut-off valve of the dustbin open?	4.8	

5 USE



WARNING!

Fire hazard! Do **not** use the product for polishing applications in combination with grinding, welding or any other application that generate sparks.
Refer to chapter 3 / Safety instructions / Use.

5.1 Control panel

The WallPro has a separate control box. Controls and indicators:

Fig. 5.1

- A POWER ON | white LED that indicates that the control box is connected to the mains and that the power is on
- B FILTER CLOGGED | red LED that indicates that it is necessary to replace the filter cartridge
- C Main switch | to (de-)energize the entire unit
- D FILTER CLEANING | blue push button with LED to activate the filter cleaning system manually
- E START/STOP FAN | green push button with LED to start and stop the fan

30. Make sure that recirculation is allowed by state or local regulations

31. Refer to paragraph 1.3

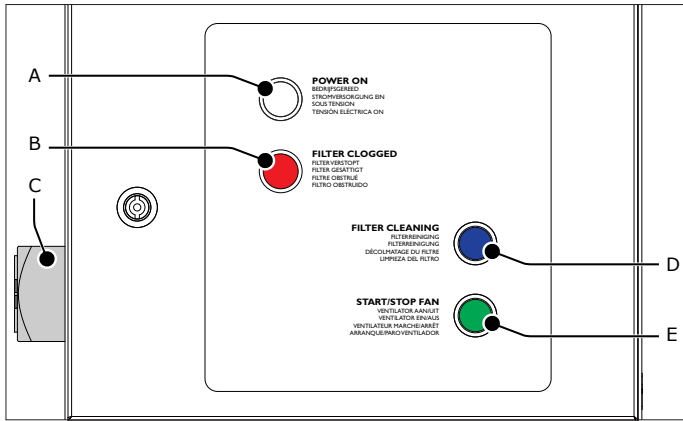


Fig. 5.1 Control panel

The filter unit itself contains an indicator panel with two pilot lights, that correspond with the ones on the control box:

Fig. 5.1

- A Red LED on | indicates that it is necessary to replace the filter cartridge
- B Green LED on | indicates that the fan is running

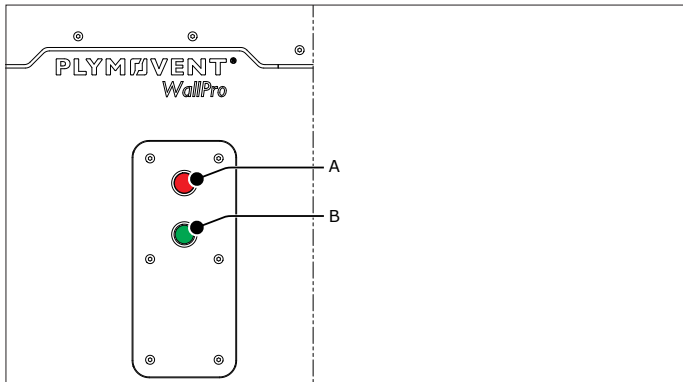


Fig. 5.1 Indicator panel

5.2 Use



ATTENTION

During use, make sure that the shut-off valve is open. Refer to Fig. 4.15C (rotary knob in vertical position).

Refer to Fig. 5.1

- Position the hood of the extraction arm at 400-800 mm (16-32 in.) from the source of pollution. Refer to Fig. VII on page 23 for the correct position.
- Make sure that the shut-off damper inside the extraction arm is open (refer to Fig. VIII on page 23).
- Make sure that the main switch (C) is on.
- Push the START/STOP FAN (E) button to activate the fan³².
- Start welding.
- When the welding position changes, move the hood to the correct position in relation to the weld.



WARNING

To keep the welding fume away from the breathing zone of the welder, make sure that all fume is extracted through the hood.

- Put the unit off approx. 20 seconds after you have finished welding.

32. Options to activate the fan: on/off switch on the hood of the extraction arm or automatically via a welding cable sensor (WCS-WP)

During use, do a regular check on the status of the red LED (FILTER CLOGGED). When this LED is on, it is necessary to replace the filter cartridge (refer to paragraph 6.2).



To prevent unnecessary filter replacement, make sure that:

- compressed air is available and connected
- the pressure setting is correct (refer to paragraph 4.9.2)

5.3 Filter cleaning system

The filter cleaning system can be activated in three different ways and takes place either offline (fan off) or online (fan on).

Activation of filter cleaning system		Offline	Online	# cleaning cycles	Duration (sec.)
Automatically	at fan shutdown	√		1	60
	pressure controlled		√	1	60
Manually	by push button	√	√	1	60

One cleaning cycle consists of six compressed air pulses.

Automatically | at fan shutdown

After ≥30 minutes of (intermittent or continuous) operation, one cleaning cycle takes place when the fan is off, with a delay time of 15 seconds. If the fan starts running again within those 15 seconds, the filter cleaning system will not be activated.

Automatically | pressure controlled

A differential pressure switch activates the filter cleaning system immediately when the pressure drop reaches the threshold value during use.

Manually | by push button

To activate the filter cleaning system manually, do the following:

- Push and hold the FILTER CLEANING button (ref. Fig. 5.1D) for 5 seconds.

6 MAINTENANCE

6.1 Periodic maintenance

The product has been designed to function without problems for a long time with a minimum of maintenance. In order to guarantee this some simple, regular maintenance and cleaning activities are required which are described in this chapter. If you observe the necessary caution and carry out the maintenance at regular intervals, any problems occurring will be detected and corrected before they lead to a total breakdown.



WARNING

Overdue maintenance can cause fire.




The indicated maintenance intervals can vary depending on the specific working and ambient conditions. Therefore we recommend to thoroughly inspect the complete product once every year beside the indicated periodic maintenance. For this purpose contact your supplier.

Component	Action	Frequency: every X months	
		X=6	X =12
Filter unit			
Dustbin	Empty; refer to paragraph 6.3	*)	
Housing	Clean the outside with a non-aggressive detergent		X
	Clean the inside with an industrial vacuum cleaner and remove dust from the filter compartment		X
	Check sealing material of the door. Replace if necessary		X
Mains cord	Check for damage. Repair or replace if necessary	X *)	
Extraction fan			
Fan housing	Check for encrusted particles. Clean if necessary		X
Extraction arm			
Tubes	Clean the outside with a non-aggressive detergent	X	
	Clean the inside thoroughly	X	
Flexible hoses	Check for cracks or damages. Replace if necessary	X	
Hood	Check the movement of the hood. If necessary, adjust the friction; refer to paragraph 6.4	X	
Arm movement	Check horizontal, vertical and diagonal arm movement. If necessary, adjust the friction; refer to paragraph 6.4	X	

*) During use, you must check the level of contents in the dustbin regularly. The emptying frequency depends on the intensity of use and will be a matter of experience. In the initial stage, do a check on the level of contents of the dustbin 2 times per month.

6.2 Filter replacement

When the red LED (FILTER CLOGGED) is on, you must replace the filter cartridge.

		Personal protective equipment (PPE) Wear respiratory protection and protective gloves when you replace the filter cartridge.
	WARNING Do not replace the filter cartridge while the fan is running.	

To replace the filter cartridge, do the following.




	Scan the QR code to watch a short demo about filter replacement.	
--	--	---

Fig. 6.1

- De-energize the unit.
- Turn the rotary knob (A) in horizontal position to close the shut-off valve.
- Loosen the quick release clamp (F) and remove the dustbin (G).
- Loosen the duct clamp (D) and remove the flange (E).

	If there is enough space behind the filter unit to turn the hopper including flange 90°, it is not necessary to remove the flange.
--	--

- Loosen the 2 wing knobs (C) and release the bag frame (B).

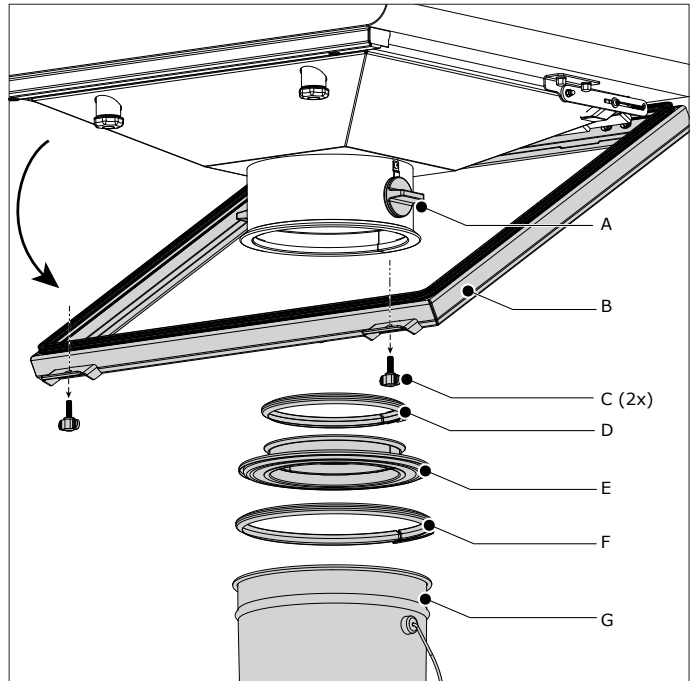


Fig. 6.1 Bag frame

Fig. 6.2

- (1) Put a plastic bag from the inside through the bag frame.
- (2) Close the bag frame and (3) fasten it with the 2 wing knobs.

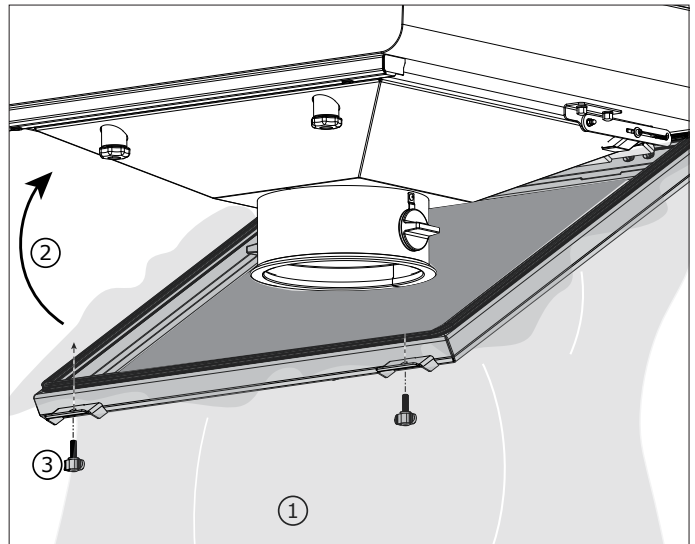


Fig. 6.2 Plastic bag

To guarantee dust-free filter removal, you must loosen the star knobs of the hopper and the filter cartridge via the outside of the plastic bag. This means that you do not touch the knobs directly.

Fig. 6.3

- Loosen the 2 star knobs (D) and release the hopper (C).
- Move the hopper in fully vertical position. Lock the hopper with the lid stays (B).
- Loosen the star knob (A) and carefully lower the filter cartridge into the plastic bag.
- Lift the plastic bag, turn it around and seal it with a cable tie.

- Loosen the 2 wing knobs and release the bag frame again (refer to Fig. 6.2).
- Clean the inside of the filter unit with an industrial vacuum cleaner.
- Install a new filter cartridge, put the washer³³ on the rod and tighten the star knob³⁴.
- Release the lid stays (B).
- Close the hopper and tighten the star knobs. Make sure to tighten them all the way to prevent leakage.
- Close the frame and tighten the wing knobs.
- Install the dustbin.
- Turn the rotary knob (refer to Fig. 4.15C) in vertical position to open the shut-off valve.
- Energize the unit.
- Push and hold the FILTER CLEANING button (ref. Fig. 5.1D) for 10 seconds to reset the red LED.
- Dispose of the used filter cartridge in accordance with federal, state or local regulations.

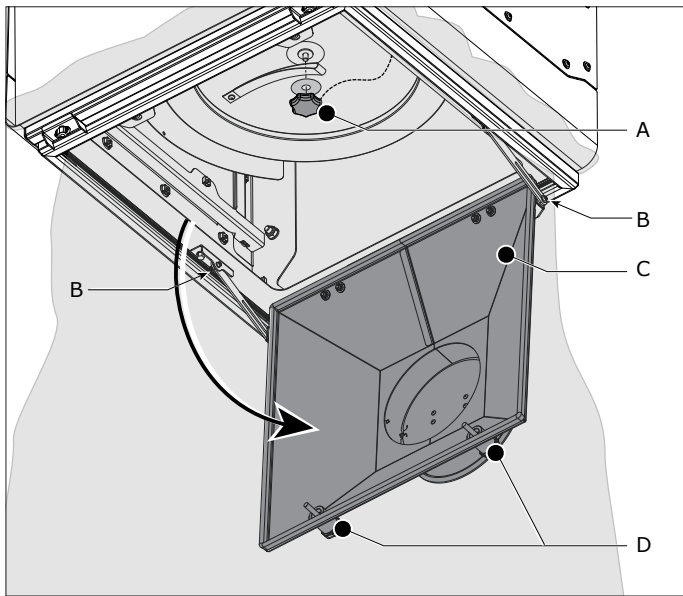





Fig. 6.3 Replacement of the filter cartridge

6.3 Emptying the dustbin

Due to the shut-off valve, it is possible to empty the dustbin while the fan is running. Therefore, it is not necessary to de-energize the unit.

		Personal protective equipment (PPE) Wear respiratory protection and protective gloves when you empty the dustbin.
	WARNING Do not empty the dustbin while a filter cleaning cycle takes place. Make sure that the blue LED (refer to Fig. 5.1D) on the control panel is off .	

To empty the dustbin, do the following.

Fig. 6.4

- Option: de-energize the unit.
- Turn the rotary knob (A) in horizontal position to close the shut-off valve.
- Loosen the quick release clamp (B) and remove the dustbin (C).
- Empty the dustbin.
- Install the dustbin and fasten the quick release clamp.

- Turn the rotary knob (A) in vertical position to open the shut-off valve.
- If applicable: energize the unit.
- Dispose of the contents of the dustbin in accordance with federal, state or local regulations.

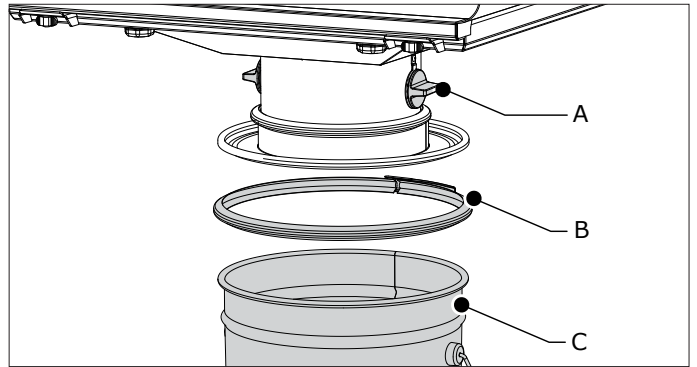


Fig. 6.4 Emptying the dustbin

6.4 Arm adjustment

If the extraction arm, or a part of it, does not stay in the desired position, you must adjust the friction. Refer to the corresponding installation manual how to adjust the balance.

7 TROUBLESHOOTING

If the unit does not function (correctly), consult the checklist below to see if you can remedy the error yourself. Should this not be possible, contact your supplier.



WARNING

Obey the safety regulations that are written in chapter 3 when you carry out the activities below.

Symptom	Problem	Possible cause	Solution
The red LED (FILTER CLOGGED) is on	Pressure drop over the filter cartridge is too high	The pressure setting is not correct	Set the correct threshold value; ref. par. 4.9.2
		No compressed air available	Connect or repair the compressed air supply
		Clogged filter cartridge	Replace the filter cartridge; ref. par. 6.2
The red LED (FILTER CLOGGED) remains on, even after filter replacement	Wrong status indication	The FILTER CLEANING button is not held long enough	Push and hold the FILTER CLEANING button (ref. Fig. 5.1D) for 10 seconds
The fan does not start	The unit does not function	No mains voltage	Connect the mains voltage
		The mains cord is defective	Repair or replace the mains cord
		Loose contacts	Repair the contacts
		Motor defective	Repair or replace the motor
		START/STOP FAN button (green) is defective	Replace the green button

33. The washer is supplied with the new filter cartridge

34. The star knob is attached to a rope to prevent loss

Symptom	Problem	Possible cause	Solution
The fan does not start (cont'd)	The unit does not function	Thermal relay is activated	Reset the thermal relay
		Thermal relay is defective	Replace the thermal relay
The fan makes a humming sound, but does not run	Extraction capacity insufficient or no extraction at all	Motor uses 2 phases instead of 3 (3-phase motor only)	Repair the phase connection
Poor extraction capacity	The unit does not function properly	The shut-off damper in the hood of the extraction arm is (partly) closed	(Fully) open the shut-off damper
		Inverted direction of rotation of the motor (3-phase motor only)	Change the direction of rotation
	Pollution of the facility	Filter cartridge ripped or placed incorrectly	Replace the filter cartridge or place it correctly
		No filter cleaning	Loose compressed air connection
No compressed air available or air pressure too low	Connect or repair the compressed air supply		
Membrane valve defective or worn	Replace the membrane valve		
Hissing sound	No filter cleaning	Membrane valve defective or worn	Replace the membrane valve
The extraction arm does not stay in the desired position	Escape of fume; no proper extraction	Friction setting is not correct	Refer to the corresponding installation manual
You cannot get the arm in the desired position			
Button FILTER CLEANING does not react	No manual activation of the filter cleaning system	The button is not held long enough.	Push and hold the button for 5 seconds
		Button FILTER CLEANING (blue) is defective	Replace the blue button
Dust leakage from the hopper	Sealing is insufficient	The adhesive rubber strip is damaged or worn	Replace the adhesive rubber strip
		The star knobs of the hopper are not fully tightened	Fully tighten the star knobs
Dust leakage from the extraction arm	The non-return valve is not functioning properly	Non-return valve cannot close properly	Clean the non-return valve
		Mechanical failure	Replace the non-return valve

8 SPARE PARTS

8.1 Filter unit

The following spare parts are available for the filter unit;
- refer to exploded view Fig. IX on page 24

8.2 Control box

The following spare parts are available for the control box;
- refer to exploded view Fig. X on page 26

8.3 Extraction arm

The following spare parts are available for the extraction arms;
- KUA-160: refer to the corresponding manual
- KUA-200: refer to the corresponding manual

8.4 Extraction fan

The following spare parts are available for the fan;
- FUA-3000: refer to the corresponding manual
- FUA-4700: refer to the corresponding manual

9 ELECTRICAL DIAGRAM

Refer to the separately supplied electrical diagram.

10 DISPOSAL

Dismantling and disposal of the unit must be done by qualified persons.



Personal protective equipment (PPE)
Wear respiratory protection and protective gloves when you dismantle and dispose of the unit.

10.1 Dismantling

To safely dismantle the unit, obey the safety instructions that follow.

Before dismantling of the unit:

- disconnect it from the mains
- clean the outside

During dismantling of the unit:

- make sure that the area is sufficiently ventilated, e.g. by a mobile ventilation unit

After dismantling of the unit:

- clean the dismantling area

10.2 Disposal

Dispose of the pollutants and dust, together with the used filters, in a professional manner in accordance with federal, state or local regulations.

CE DECLARATION

CE declaration of conformity for machinery

We, Plymovent Manufacturing B.V., Koraalstraat 9, 1812 RK Alkmaar, Netherlands, herewith declare, on our own responsibility, that the product:

- WallPro

which this declaration refers to, is in accordance with the conditions of the following Directives:

- Machine Directive 2006/42 EC
- EMC 2014/30 EU
- LVD 2014/35 EU
- ErP Directive 2009/125 EC
- W3 compliant (EN-ISO 15012-1:2013)

Signature:

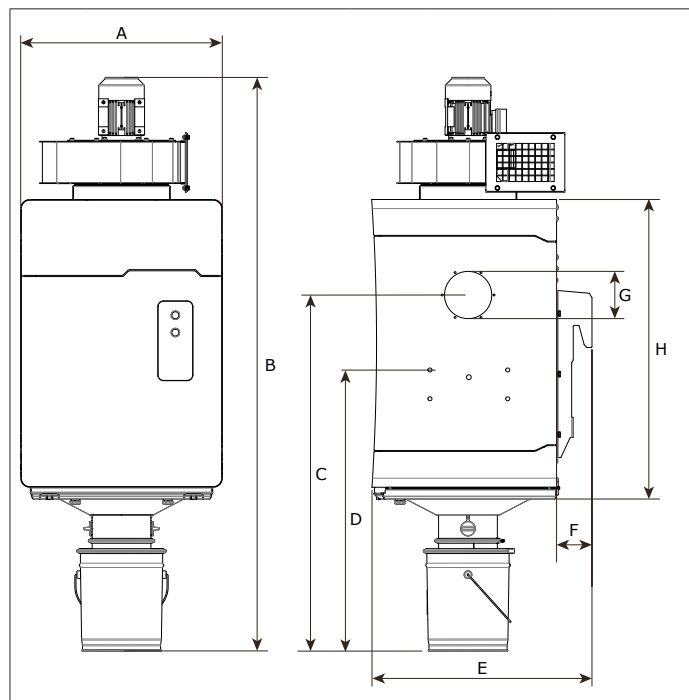


Name: M.S.J. Ligthart
Position: Product Manager
Date of issue: 1st October 2018

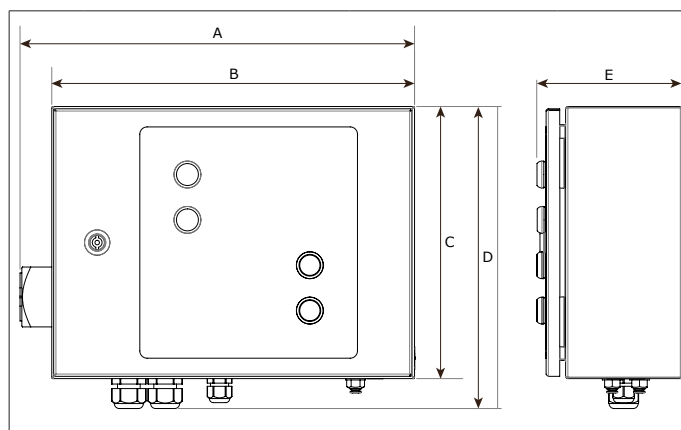
For a CE declaration of the fan, refer to the corresponding manual.

Fig. I Dimensions

EN	Dimensions	ES	Dimensiones
NL	Afmetingen	IT	Dimensioni
DE	Abmessungen	PT	Dimensões
FR	Dimensions	PL	Wymiary



	WallPro	mm	inch
A		700	27.6
B	Single	1991	78.4
	Basic		
	Single PowerPlus		
	Basic PowerPlus		
	Double	2059	81.1
C		1236	48.7
D		975	38.4
E		764	30.1
F		123	4.8
G	+ KUA-160	Ø 160	Ø 6
	+ KUA-200	Ø 200	Ø 8
H		1040	40.9



	Control box	mm	inch
A		435	14.3
B		400	13.1
C		300	9.4
D		333	10.9
E		161	5.3

Fig. II Working range

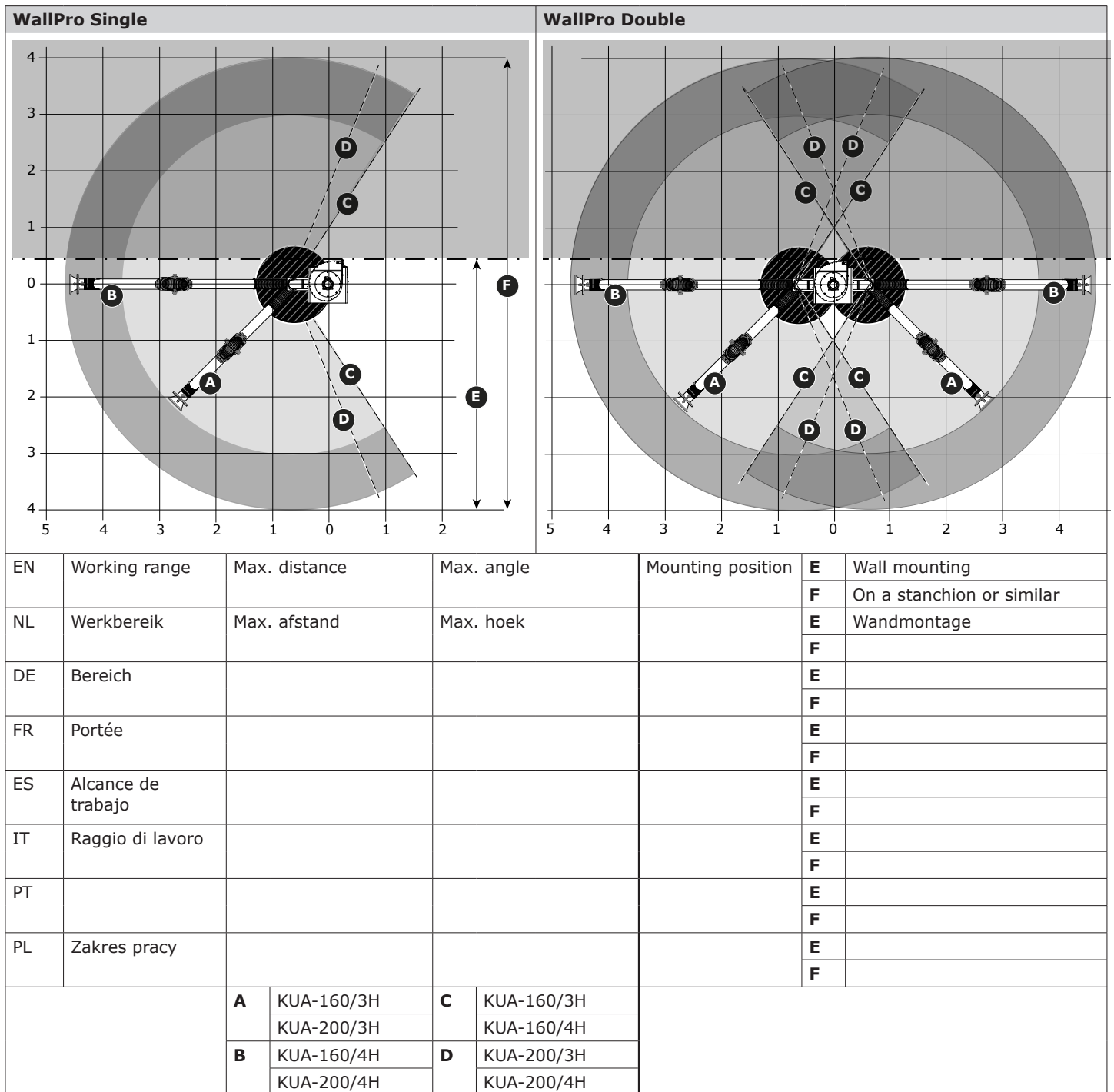


Fig. III Outlet direction of the fan

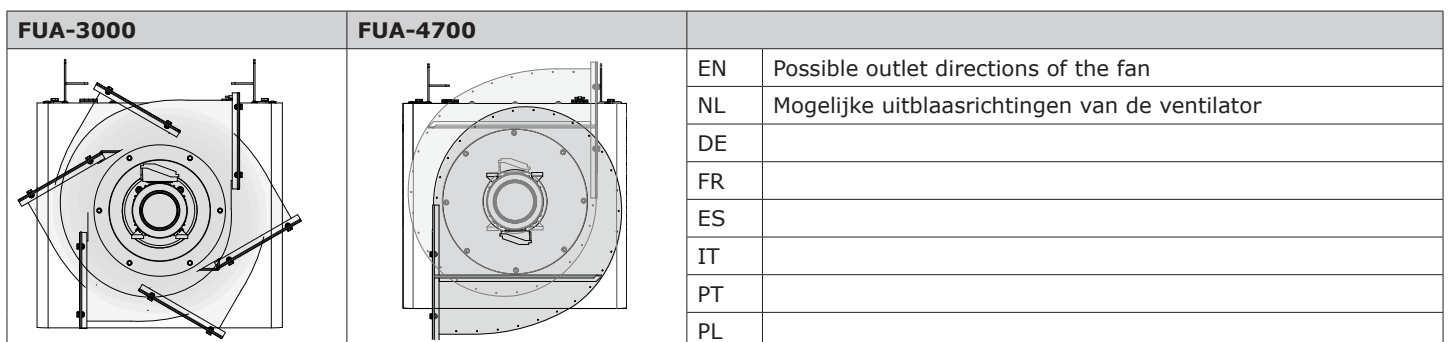
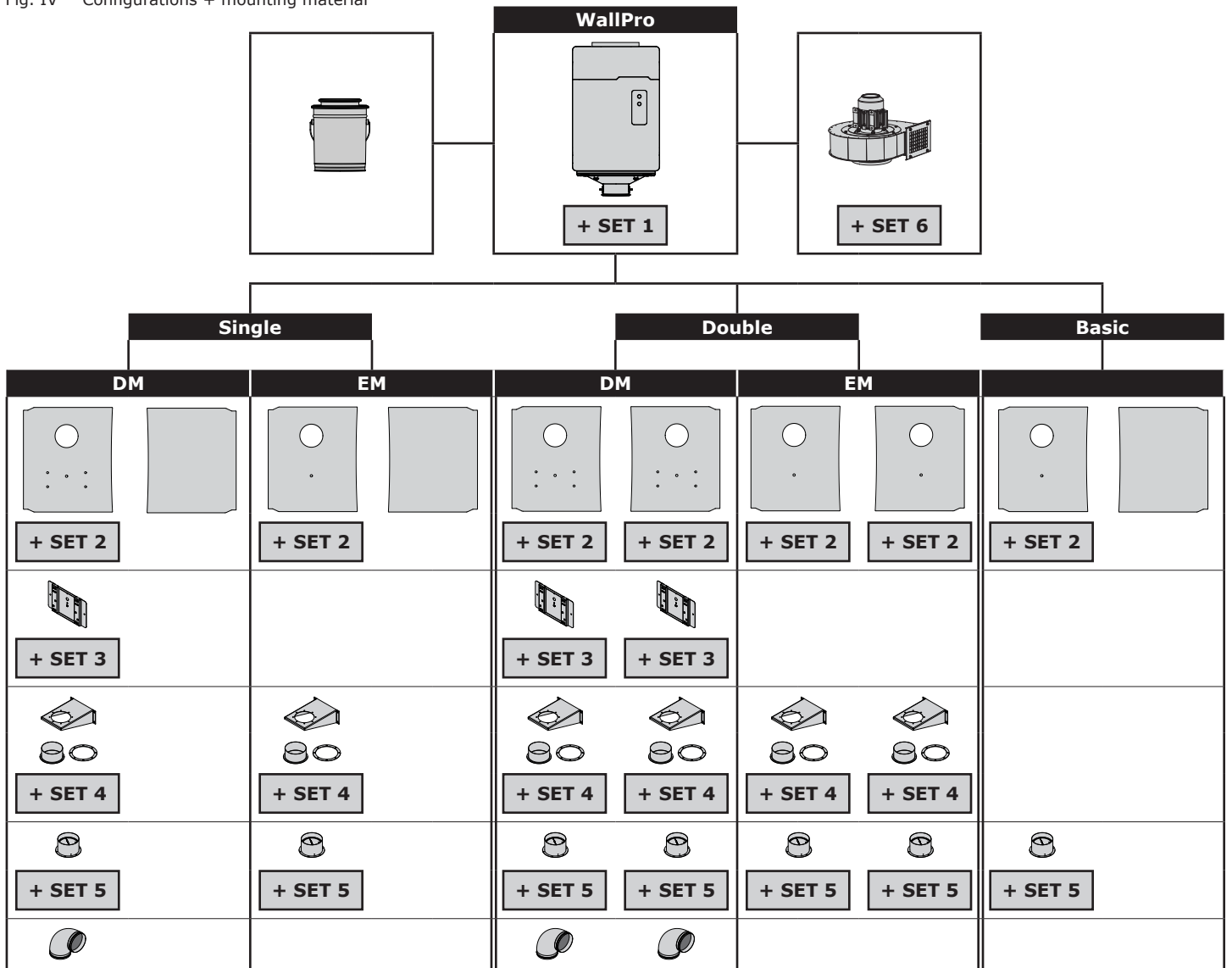


Fig. IV Configurations + mounting material



SET 1 Wall bracket	
	2x Bolt M10x30
	2x Locknut M10
	4x Washer M10

	24x Sealing washer M6
SET 3 Reinforcement plate	
	7x Flange bolt M6x16
	4x Cage nut M12

	4x Bolt M8x40
	4x Locknut M8

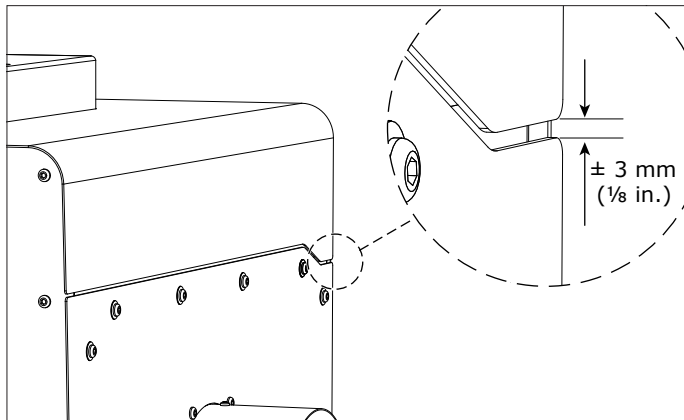
SET 6 Fan	
	4x Positioning stud
	4x Flange locknut M8
	1x Adhesive rubber strip 0,9 m (3 ft.)

SET 2 Side panel	
	1x Screw plug M16
	1x Nut M16
	1x Cable gland M16
	24x Bolt M6x16

SET 4 Arm bracket + inlet ducting	
	4x Bolt M12x30
	4x Washer M12
	1x Adhesive rubber strip 0,6 m (2 ft.)
	8x Washer M8

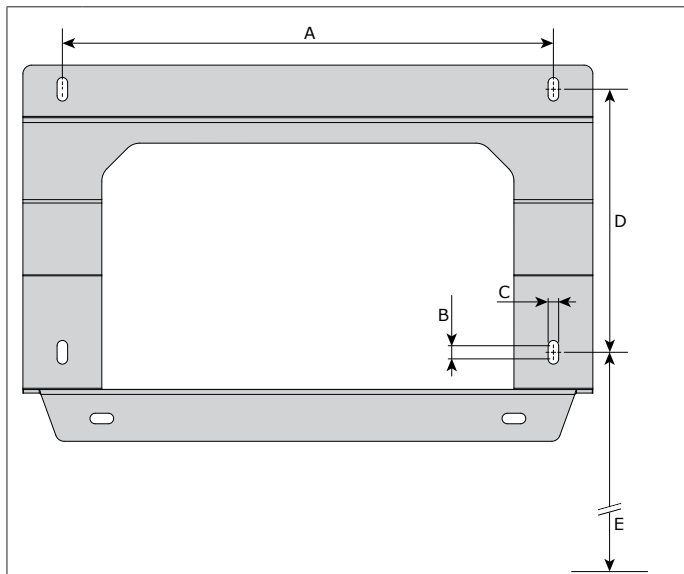
SET 5 Duct flange + non-return valve	
	6x Bolt M6x16
	6x Locknut M6
	6x Sealing washer M6
	6x Washer M6
	2x Self-tapping screw 4,2x13 mm

Fig. V Mounting position of the side panel



EN	Clearance between side panel and housing (top + bottom)
NL	
DE	
FR	
ES	
IT	
PT	
PL	

Fig. VI Installation height

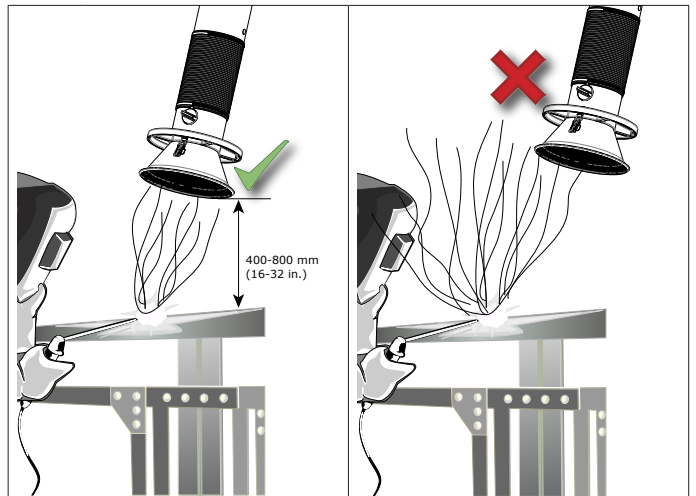


	mm	inch		m	ft
A	560	22.05	E	2,25 - 2,55	7.5 - 8.5
B	15	0.60			
C	12	0.50			
D	300	11.8			

EN	Recommended installation height (E) + hole pattern
NL	Aanbevolen installatiehoogte (E) + gatenpatroon
DE	Empfohlene Installationshöhe (E) + Bohrmuster
FR	Hauteur recommandée d'installation (E) + configuration des trous
ES	Altura de instalación recomendada (E) + diseño de agujeros

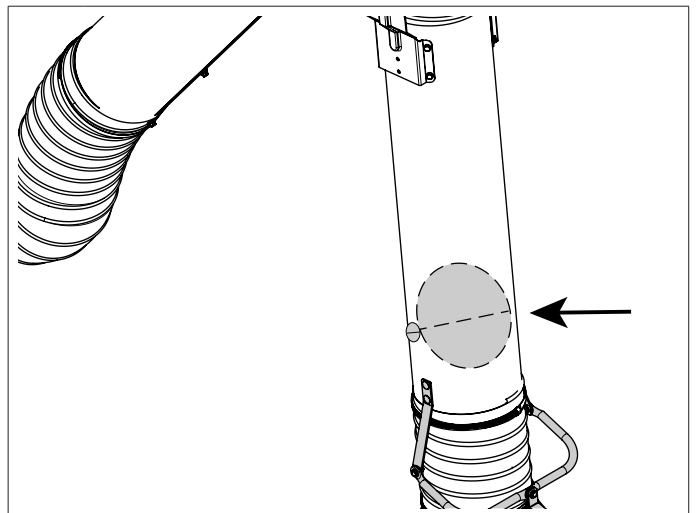
IT	Altezza di installazione raccomandata (E) + disposizione dei fori
PT	
PL	Zalecana wysokość montażu (E) + wzór otworów

Fig. VII Positioning of the extraction arm



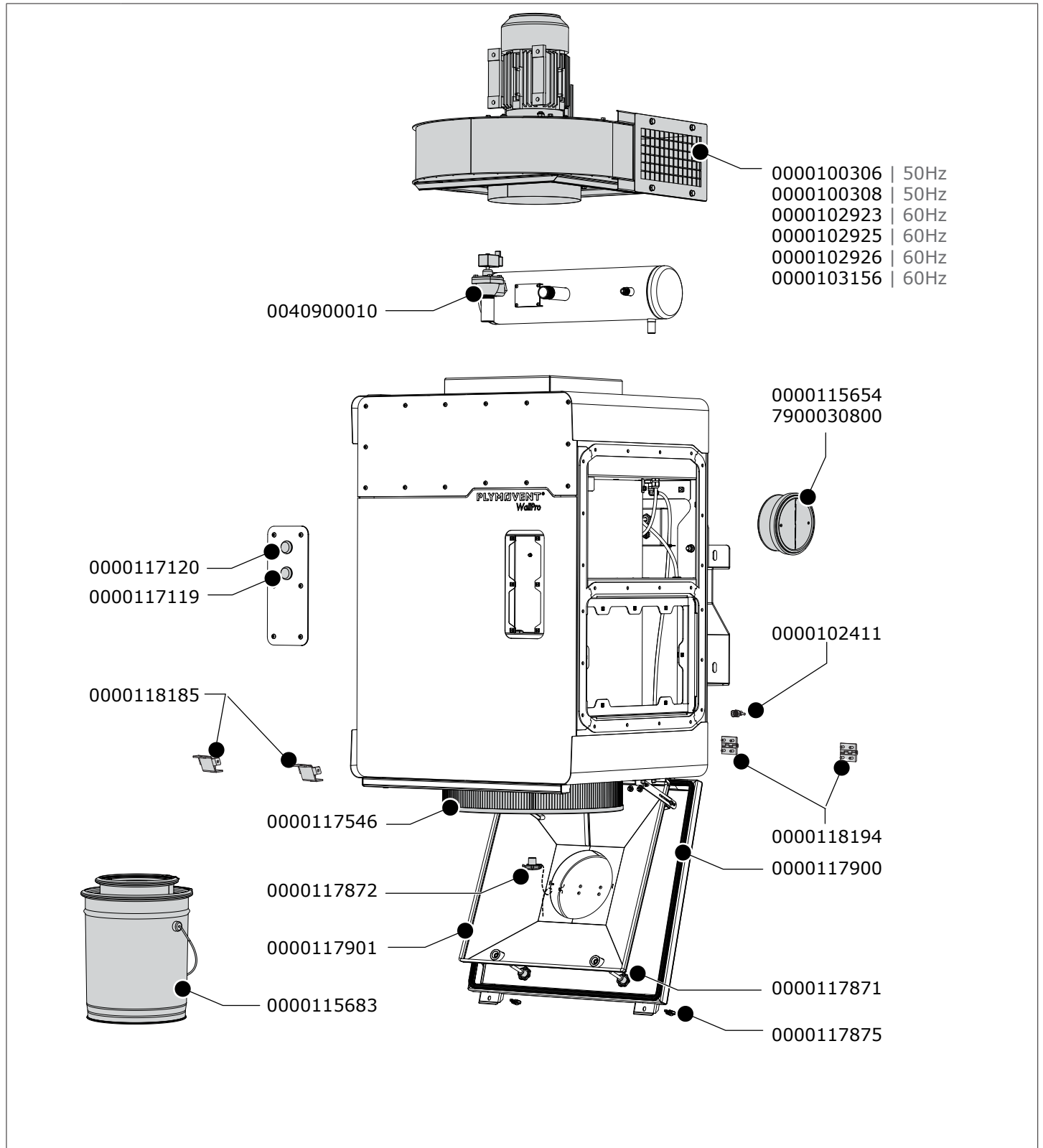
EN	Positioning of the extraction arm
NL	Positionering van de afzuigarm
DE	Positionierung des Absaugarms
FR	Positionnement du bras d'aspiration
ES	Posicionamiento del brazo de aspiración
IT	Posizionamento del braccio aspirante
PT	
PL	Ustawienie ramienia odciągowego

Fig. VIII Shut-off valve



EN	Shut-off & control valve
NL	
DE	
FR	
ES	
IT	
PT	
PL	

Fig. IX Exploded view WallPro



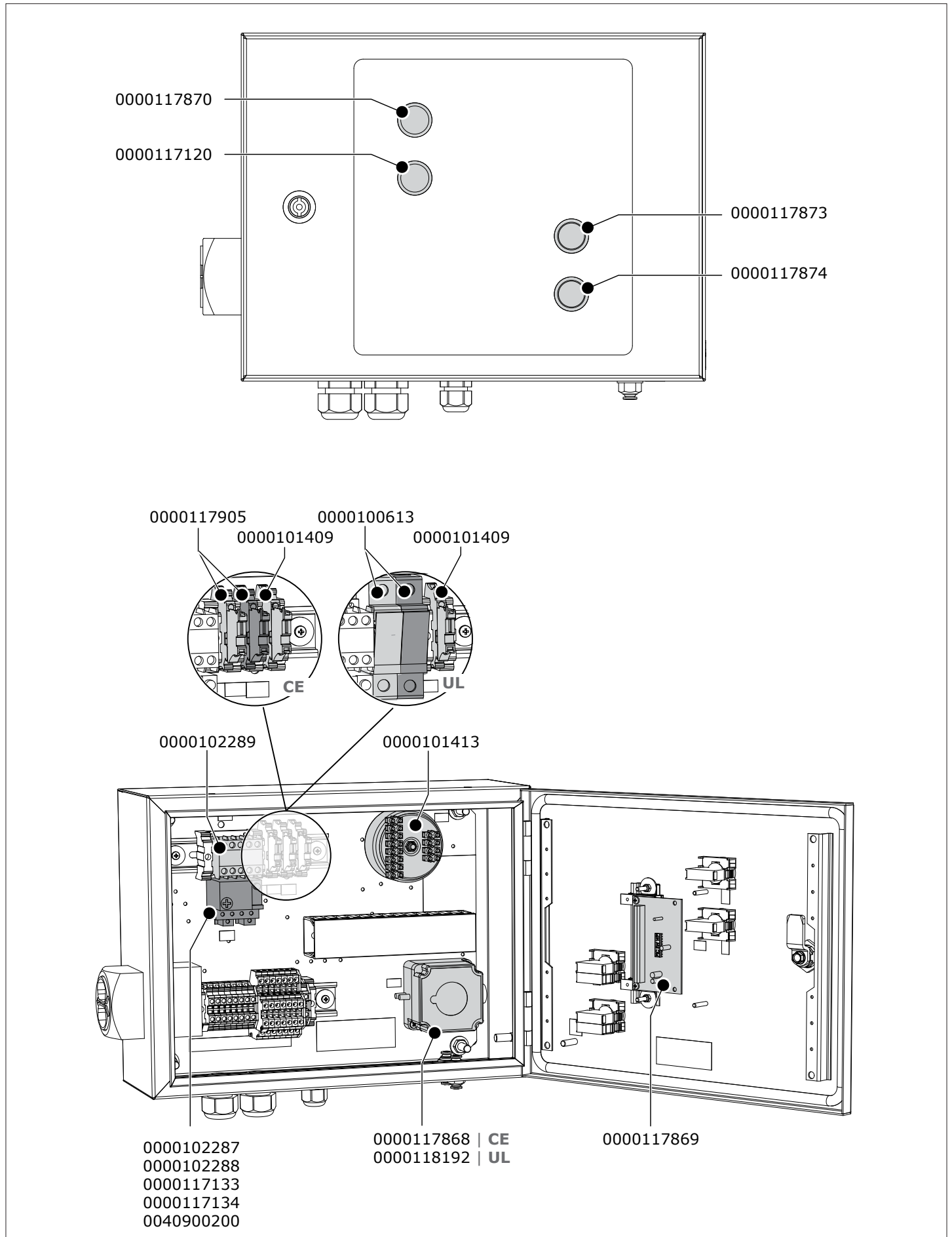
EN	Exploded view filter unit (WallPro)
NL	Exploded view filterunit (WallPro)
DE	Explosionszeichnung Filtereinheit (WallPro)
FR	Vue éclatée de l'unité de filtration (WallPro)
ES	Vista de despiece unidad de filtración (WallPro)
IT	Visa esplosa unità filtrante (WallPro)
PT	
PL	Widok jednostka filtracyjna (WallPro)

WallPro	EN Spare parts	NL Reserveonderdelen	DE Ersatzteile
0000100306	FUA-3000 (IEC); 400V/3ph/50Hz	FUA-3000 (IEC); 400V/3ph/50Hz	FUA-3000 (IEC); 400V/3ph/50Hz
0000100308	FUA-4700 (IEC); 400V/3ph/50Hz	FUA-4700 (IEC); 400V/3ph/50Hz	FUA-4700 (IEC); 400V/3ph/50Hz
0000102411	Drain valve ½ inch	Aftapkraan ½ inch	Ablassventil ½ Inch
0000102923	FUA-3000 (NEMA); 208-230/460V/3ph/60Hz	FUA-3000 (NEMA); 208-230/460V/3ph/60Hz	FUA-3000 (NEMA); 208-230/460V/3ph/60Hz
0000102925	FUA-4700 (NEMA); 208-230/460V/3ph/60Hz	FUA-4700 (NEMA); 208-230/460V/3ph/60Hz	FUA-4700 (NEMA); 208-230/460V/3ph/60Hz
0000102926	FUA-4700 (NEMA); 575V/3ph/60Hz	FUA-4700 (NEMA); 575V/3ph/60Hz	FUA-4700 (NEMA); 575V/3ph/60Hz
0000103156	FUA-3000 (NEMA); 575V/3ph/60Hz	FUA-3000 (NEMA); 575V/3ph/60Hz	FUA-3000 (NEMA); 575V/3ph/60Hz
0000115654	NRV-200 / Non-return valve Ø 200 mm	NRV-200 / Terugslagklep Ø 200 mm	NRV-200 / Rückschlagklappe Ø 200 mm
0000115683	Dustbin	Stofton	Staubbehälter
0000117119	Service indicator (green LED)	Service-indicator (groene LED)	Wartungsanzeige (grüne LED)
0000117120	Service indicator (red LED)	Service-indicator (rode LED)	Wartungsanzeige (rote LED)
0000117546	CART-O/PTFE/20 / Filter cartridge	CART-O/PTFE/20 / Filterpatroon	CART-O/PTFE/20 / Filterpatrone
0000117871	Star knob M8x50	Sterknop M8x50	Sternknopf M8x50
0000117872	Star knob M8 + cord	Sterknop M8 + koord	Sternknopf M8 + Faden
0000117875	Wing knob M6	Vleugelknop M6	Flügelknopf M6
0000117900	Sealing material for bag frame	Afdichtingsmateriaal voor zakframe	
0000117901	Sealing material for hopper	Afdichtingsmateriaal voor trechter	Abdichtungsmaterial für Trichter
0000118185	Hopper fastening bracket (set of 2)		
0000118194	Hinge (set of 2)	Scharnier (set van 2)	Scharnier (Satz von 2 St.)
0040900010	Magnetic valve AC	Magneetventiel AC	Magnetventil WS
7900030800	NRV-160 / Non-return valve Ø 160 mm	NRV-160 / Terugslagklep Ø 160 mm	NRV-160 / Rückschlagklappe Ø 160 mm

WallPro	FR Pièces détachées	ES Piezas de recambio	IT Pezzi di ricambio
0000100306	FUA-3000 (IEC); 400V/3ph/50Hz	FUA-3000 (IEC); 400V/3ph/50Hz	FUA-3000 (IEC); 400V/3ph/50Hz
0000100308	FUA-4700 (IEC); 400V/3ph/50Hz	FUA-4700 (IEC); 400V/3ph/50Hz	FUA-4700 (IEC); 400V/3ph/50Hz
0000102411	Robinet de vidange ½ pouces	Válvula de vaciado ½ pulgada	Valvola di drenaggio ½ pulgada
0000102923	FUA-3000 (NEMA); 208-230/460V/3ph/60Hz	FUA-3000 (NEMA); 208-230/460V/3ph/60Hz	FUA-3000 (NEMA); 208-230/460V/3ph/60Hz
0000102925	FUA-4700 (NEMA); 208-230/460V/3ph/60Hz	FUA-4700 (NEMA); 208-230/460V/3ph/60Hz	FUA-4700 (NEMA); 208-230/460V/3ph/60Hz
0000102926	FUA-4700 (NEMA); 575V/3ph/60Hz	FUA-4700 (NEMA); 575V/3ph/60Hz	FUA-4700 (NEMA); 575V/3ph/60Hz
0000103156	FUA-3000 (NEMA); 575V/3ph/60Hz	FUA-3000 (NEMA); 575V/3ph/60Hz	FUA-3000 (NEMA); 575V/3ph/60Hz
0000115654	NRV-200 / Clapet anti-retour Ø 200 mm		
0000115683	Bac à poussière	Depósito de polvo	Bidone
0000117119	Indicateur de service (DEL verte)		
0000117120	Indicateur de service (DEL rouge)		
0000117546	CART-O/PTFE/20 / Cartouche filtre		
0000117871	Bouton en étoile M8x50		
0000117872	Bouton en étoile M8 + câble		
0000117875			
0000117900			
0000117901	Matériel d'étanchéité pour chémie		
0000118185			
0000118194	Charnière (jeu de 2)		
0040900010	Electrovanne CA		
7900030800	NRV-160 / Clapet anti-retour Ø 160 mm		

WallPro	PT Peças de substituição	PL Części zamienne	
0000100306	FUA-3000 (IEC); 400V/3ph/50Hz	FUA-3000 (IEC); 400V/3ph/50Hz	
0000100308	FUA-4700 (IEC); 400V/3ph/50Hz	FUA-4700 (IEC); 400V/3ph/50Hz	
0000102411			
0000102923	FUA-3000 (NEMA); 208-230/460V/3ph/60Hz	FUA-3000 (NEMA); 208-230/460V/3ph/60Hz	
0000102925	FUA-4700 (NEMA); 208-230/460V/3ph/60Hz	FUA-4700 (NEMA); 208-230/460V/3ph/60Hz	
0000102926	FUA-4700 (NEMA); 575V/3ph/60Hz	FUA-4700 (NEMA); 575V/3ph/60Hz	
0000103156	FUA-3000 (NEMA); 575V/3ph/60Hz	FUA-3000 (NEMA); 575V/3ph/60Hz	
0000115654			
0000115683			
0000117119			
0000117120			
0000117546			
0000117871			
0000117872			
0000117875			
0000117900			
0000117901			
0000118185			
0000118194			
0040900010			
7900030800			

Fig. X Exploded view control box



Control box	EN Spare parts	NL Reserveonderdelen	DE Ersatzteile
0000100613	Fuse class CC 0,8 A	Zekering klasse CC 0,8 A	Sicherung Klasse CC 0,8 A
0000101409	Fuse 3.15A 5x20 mm UL	Zekering 3.15A 5x20 mm UL	Sicherung 3.15A 5x20 mm UL
0000101413	Transformer 120-575V 24V 75VA	Transformator 120-575V 24V 75VA	Transformator 120-575V 24V 75VA
0000102287	Thermal relay NTR-1,7-2,4A	Thermisch relais NTR-1,7-2,4A	Thermisches Relais NTR-1,7-2,4A
0000102288	Thermal relay NTR-3,0-4.7A	Thermisch relais NTR-3,0-4,7A	Thermisches Relais NTR-3,0-4,7A
0000102289	Relay MC2A	Relais MC2A	Relais MC2A
0000117133	Thermal relay NTR-2,2-3,2A	Thermisch relais NTR-2,2-3,2A	Thermisches Relais NTR-2,2-3,2A
0000117134	Thermal relay NTR-7,5-10,5A	Thermisch relais NTR-7,5-10,5A	Thermisches Relais NTR-7,5-10,5A
0000117868	Differential pressure switch 6-50 mbar + sticker scale 50Hz	Drukverschilskakelaar 6-50 mbar + sticker schaal 50Hz	Differenzdruckschalter 6-50 mbar + Aufkleber Skala 50Hz
0000117869	PC board incl. software WallPro	Printplaat incl. software WallPro	Leiterplatte inkl. Software WallPro
0000117870	Pilot light white	Controlelamp wit	Kontrollampe weiß
0000117873	Push button with blue LED	Drukknop met blauwe LED	Druckknopf mit blauer LED
0000117874	Stay-push button with green LED	Drukknop met groene LED	Druckknopf mit grüner LED
0000117905	Fuse 5x20 (500 mA)	Zekering 5x20 (500 mA)	Sicherung 5x20 (500 mA)
0000118192	Differential pressure switch 6-50 mbar + sticker scale 60Hz	Drukverschilskakelaar 6-50 mbar + sticker schaal 60Hz	Differenzdruckschalter 6-50 mbar + Aufkleber Skala 60Hz
0040900200	Thermal relay NTR-4.0-6.3 A	Thermisch relais NTR-4.0-6.3 A	Thermisches Relai NTR-4.0-6.3 A

Control box	FR Pièces détachées	ES Piezas de recambio	IT Pezzi di ricambio
0000100613	Fusible classe CC 0,8 A	Fusible class CC 0,8 A	Fusibile class CC 0,8 A
0000101409	Fusible 3.15A 5x20 mm UL	Fusible 3.15A 5x20 mm UL	Fusibile 3.15A 5x20 mm UL
0000101413	Transformateur 120-575V 24V 75VA	Transformador 120-575V 24V 75VA	Trasformatore 120-575V 24V 75VA
0000102287	Relais thermique NTR-1,7-2,4A	Relé térmico NTR-1,7-2,4A	Relè termico NTR-1,7-2,4A
0000102288	Relais thermique NTR-3,0-4,7A	Relé térmico NTR-3,0-4,7A	Relè termico NTR-3,0-4,7A
0000102289	Relais MC2A	Relé MC2A	Relè MC2A
0000117133	Relais thermique NTR-2,2-3,2A	Relé térmico NTR-2,2-3,2A	Relè termico NTR-2,2-3,2A
0000117134	Relais thermique NTR-7,5-10,5A	Relé térmico NTR-7,5-10,5A	Relè termico NTR-7,5-10,5A
0000117868	Commutateur de pression différentiel 6-50 mbar + autocollant échelle 50Hz		
0000117869	Circuit imprimé logique WallPro inclus		
0000117870	Lampe témoin blanche	Luz indicadora blanca	Lampada indicatrice bianca
0000117873	Bouton poussoir avec DEL bleue		
0000117874	Bouton poussoir avec DEL verte		
0000117905	Fusible 5x20 (500 mA)	Fusible 5x20 (500 mA)	Fusibile 5x20 (500 mA)
0000118192	Commutateur de pression différentiel 6-50 mbar + autocollant échelle 60Hz		
0040900200	Relais thermique NTR-4.0-6.3 A	Relé térmico NTR-4.0-6.3 A	Relè termico NTR-4.0-6.3 A

Control box	PT Peças de substituição	PL Części zamienne
0000100613		
0000101409		
0000101413		
0000102287		
0000102288		
0000102289		
0000117133		
0000117134		
0000117868		
0000117869		
0000117870		
0000117873		
0000117874		
0000117905		
0000118192		
0040900200		

