

EN Flexible extraction arm
NL Flexibele afzuigarm
DE Flexibler Absaugarm
FR Bras d'aspiration flexible
ES Brazo de aspiración flexible

IT Braccio aspirante flessibile
DK Fleksibel sugearm
SE Flexibel utsugsarm
FI Imuvarsi
CZ Odsávací rameno

KUA-H/S/ATEX

EN User manual
NL Gebruikershandleiding
DE Betriebsanleitung
FR Manuel opérateur
ES Instrucciones para el uso
IT Manuale d'uso
DK Produktmanual
SE Bruksanvisning
FI Käyttöohje
CZ Manuál výrobku



TABLE OF CONTENTS

ENGLISH	Page
KUA/H	2
KUA/S	7
KUA-ATEX	12
• Exploded view	123
• Spare parts	124

NEDERLANDS	Pag.
KUA/H	16
KUA/S	22
• Exploded view	123
• Reserveonderdelen	124

DEUTSCH	Seite
KUA/H	27
KUA/S	32
KUA-ATEX	37
• Explosionszeichnung	123
• Ersatzteile	124

FRANÇAIS	Page
KUA/H	41
KUA/S	46
KUA-ATEX	51
• Vue éclatée	123
• Pièces détachées	124

ESPAÑOL	Pág.
KUA/H	55
KUA/S	62
• Vista de despiece	123
• Piezas de recambio	124

ITALIANO	
KUA/H	67
KUA/S	73
• Visa esplosa	123
• Pezzi di ricambio	124

DANSK	
KUA/H	45
KUA/S	83
• Exploded view	123
• Reservedele	124

SVENSKA	Sida
KUA/H	88
KUA/S	93
KUA-ATEX	98
• Sprängskiss	123
• Reservdelar	124

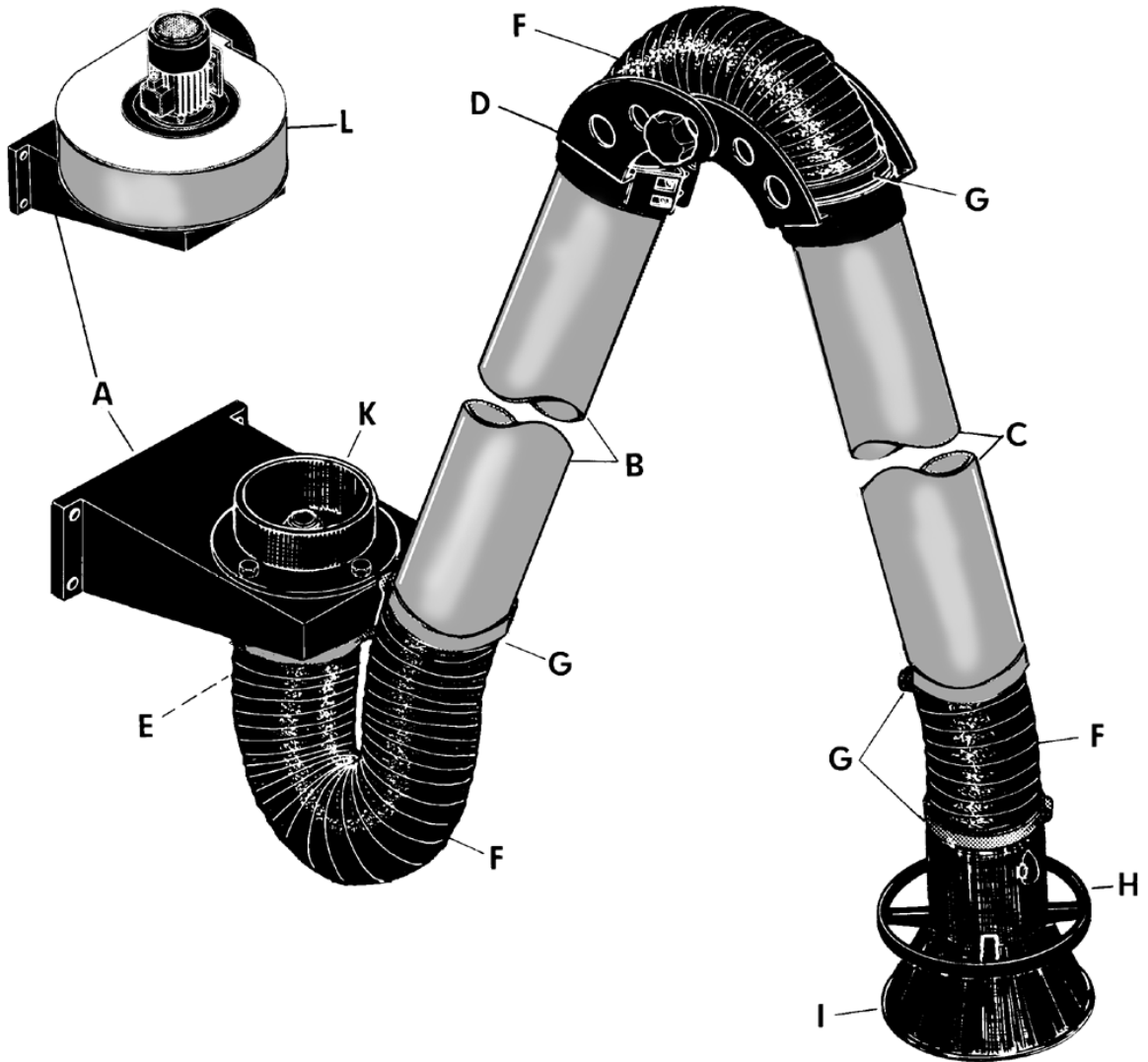
SUOMI	
KUA/H	102
KUA/S	108
• Exploded view	123
• Varaosat	124

ČESKÝ	
KUA/H	113
KUA-ATEX	118
• Exploded view	123
• Náhradní díl	124

MOUNTING INSTRUCTION

EXTRACTION ARM

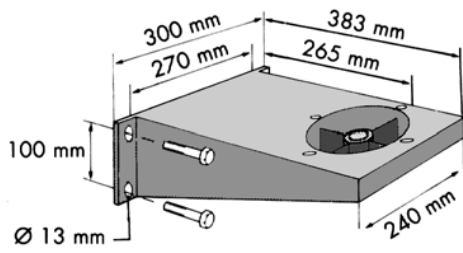
KUA-2, -3, -4.



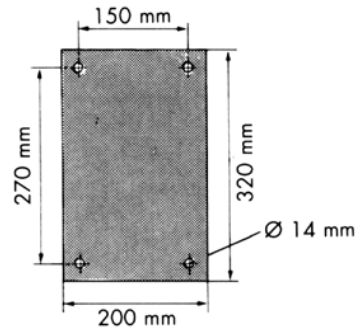
Pos no	DESCRIPTION	Pos no	DESCRIPTION
A	Mounting bracket	G	Jubilee clip
B	Inner arm	H	Hood collar
C	Outer arm	I	Hood
D	Hinged joint	K	Spigot
E	Rubber collar	L	Fan
F	Hose		

Mounting instructions

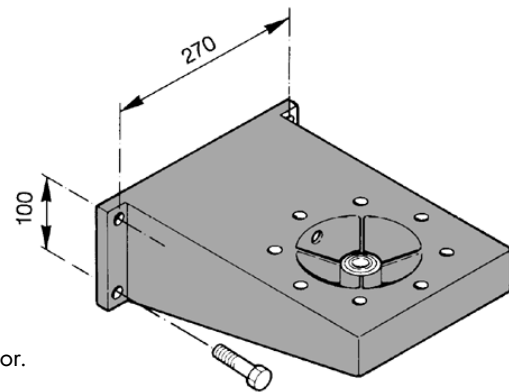
Wall mounting bracket for KUA



Mounting plate PA-110, 220

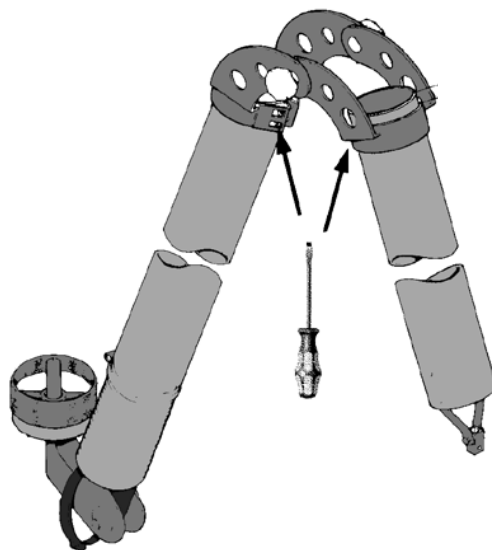


1. Bolt mounting bracket to wall.

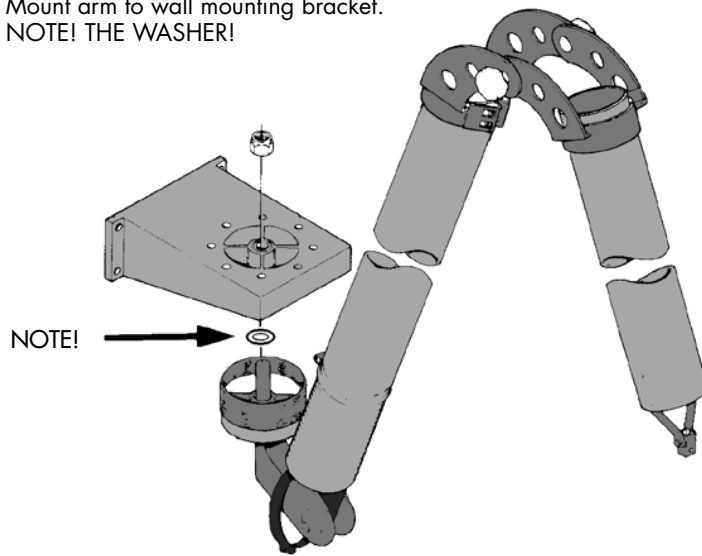


Recommended mounting height 2.2-3 m from floor.

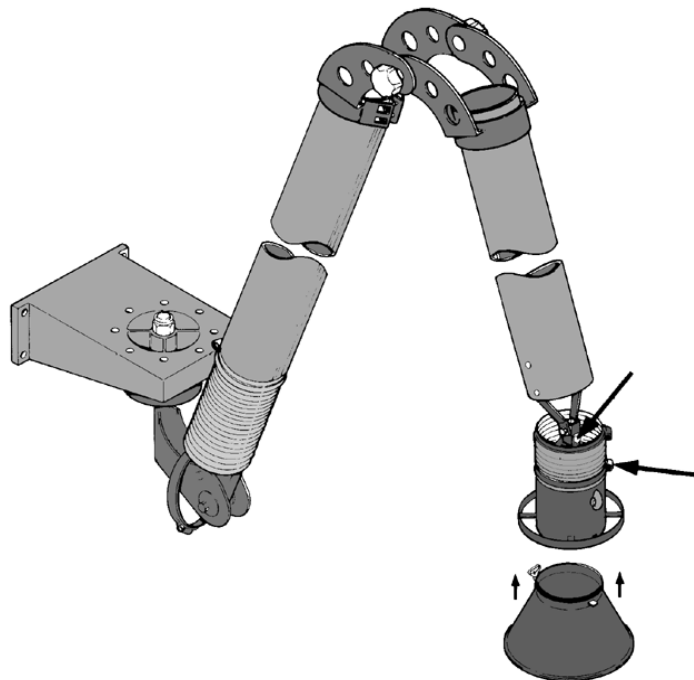
2. Attach inner arm to outer arm by means of hinged joint and fit rubber collar to inner arm.



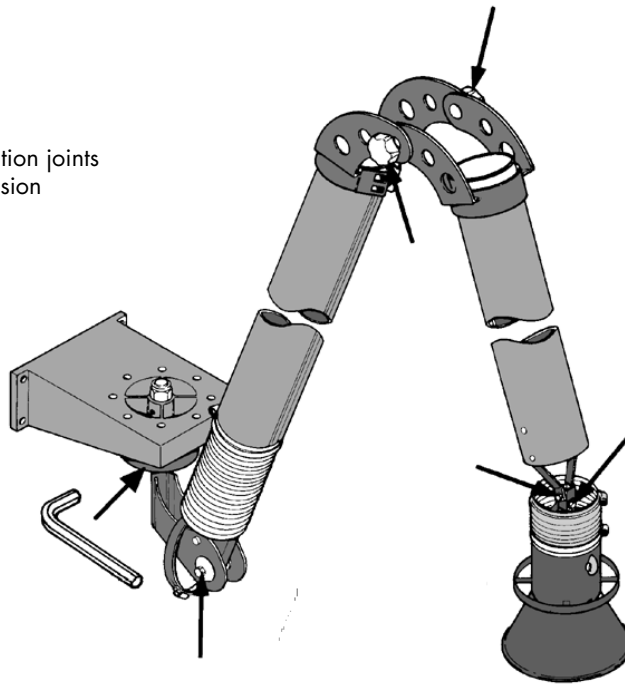
- 3.** Mount arm to wall mounting bracket.
NOTE! THE WASHER!



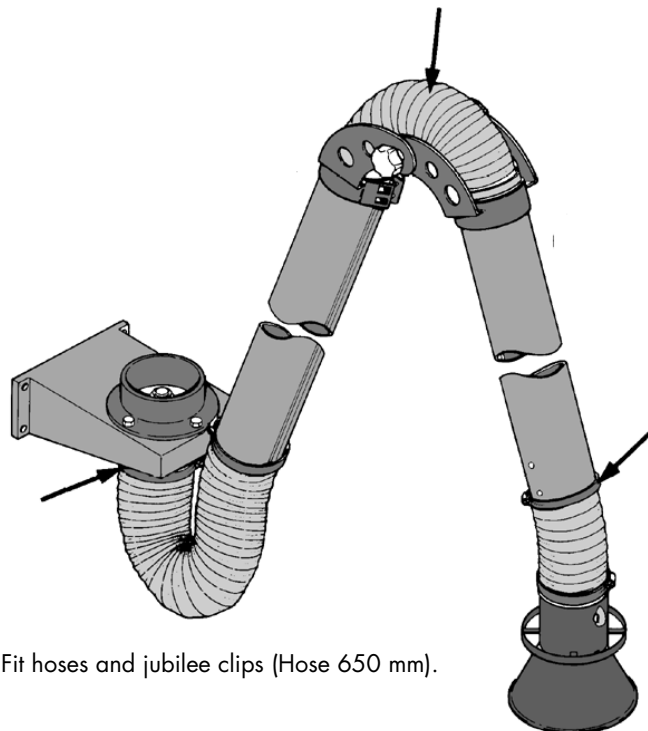
- 4.** Fit hose, jubilee clips, hood collar and hood to outer arm (Hose 400 mm).



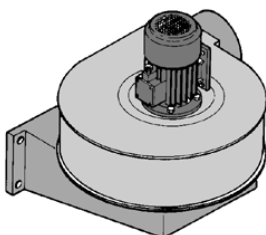
5. Adjust all friction joints to correct tension



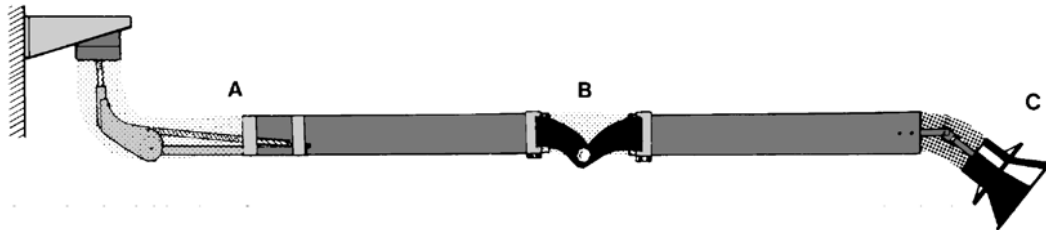
6. Fit hoses and jubilee clips (Hose 650 mm).



7. Fit either spigot or fan to mounting bracket.

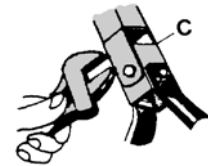


MAINTENANCE INSTRUCTION



A. If the arm will not stay in the required position:

1. Loosen the hose at A.
2. Pull the extractor out to its full length and angle it horizontally. Loosen the friction brake until the arm drops towards the floor. Tighten until it no longer drops.
3. If the arm is difficult to move sideways or moves on its own sideways, then adjustments must be made to the friction collar. This is done by either loosening or tightening the screw. Use an allen key.



B. If the outer arm will not stay in the required position:

1. Angle the outer arm horizontally. Loosen the friction brake until the arm drops towards the floor. Tighten until it no longer drops.

C. If the hood will not stay in the required position:

1. Loosen the hose at C.
2. Adjust the friction (see picture) until the hood will stay in the exact position.

TECHNICAL DESCRIPTION

Ball-bearing jointed extraction arm - Standing (KUA-S)

© Copyright 2008: All rights reserved. All information within this printed matter may not be reproduced, handed over, copied, xeroxed or translated into another language in any form or means without written permission from Plymovent AB. Plymovent AB reserves the right to make design changes.

KUA - Standing

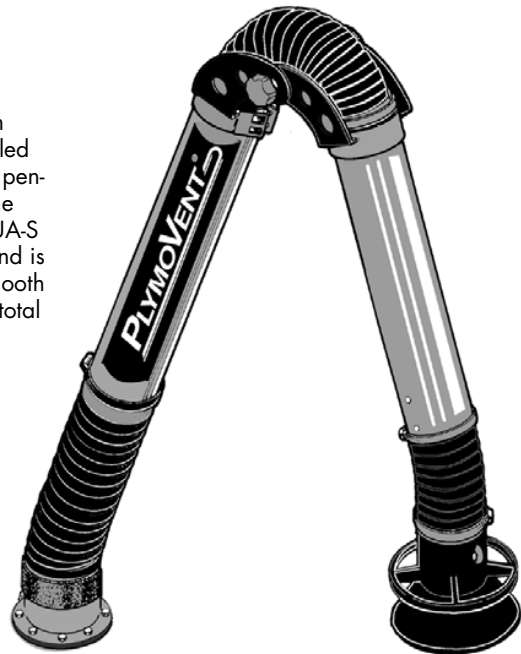
The PlymoVent ball-bearing jointed extraction arm – KUA-S – is a flexible and efficient extractor for dust, welding fumes, soldering fumes, oilmist, fumes from solvents etc. Ideal for many problem areas. The outer and inner arm are coupled by an externally mounted elbow joint for which we have a patent application pending. This external joint is adjusted by hand without the need for any tools. The lower spring-assisted joint supported in a double ball-bearing mount, gives KUA-S a smooth, flexible movement. The KUA-S reaches above its mounting height and is manoeuvrable through 360°. Both outer and inner arms are made of light, smooth aluminium tubing. This not only makes the arm rugged but also minimises the total weight and noise level, even at high extraction rates.

Delivery

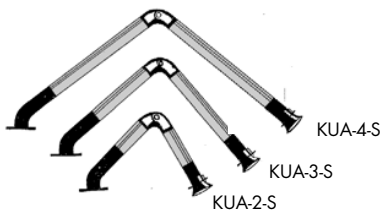
The arm is delivered complete with mounting flange.

Advantages

- Easy to move thanks to the ball-bearing mountings and spring assistance.
- Inner and outer arms made from aluminium tubing give increased mechanical strength.
- External, middle joint simplifies adjustments.
- Easy-to-reach ring handle ensures simple positioning of the hood.
- Standard stanchion for ceiling, floor and wall mounting makes installation easy.
- Reaches up to 6 m with stanchions PA-110 or PA-220.
- Rugged construction.



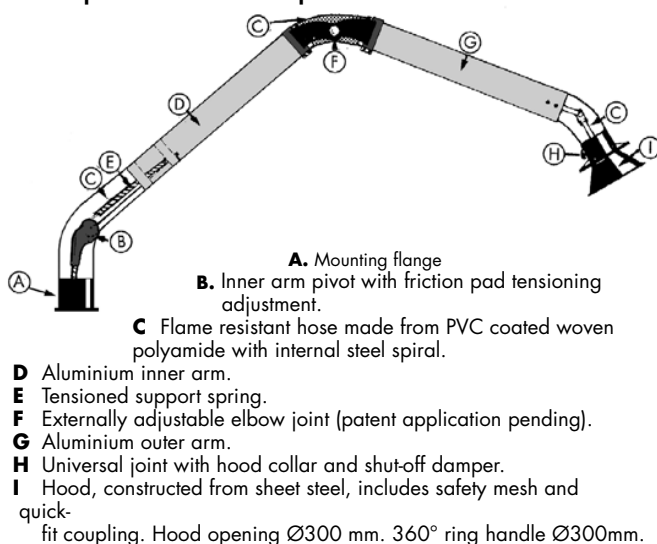
Technical data



Standing model.
Flange mounted.
2 m, 3 m and 4 m reach.
Flange included.

Prod. no.	Max. working radius m	Hose diameter mm	Recommended airflow m ³ /h
KUA-2-S	2,0	160	800 – 1200
KUA-3-S	3,0	160	800 – 1200
KUA-4-S	4,0	160	800 – 1200

Components and operation



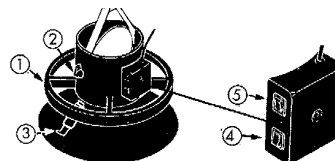
Maneuvering

1. Ring handle for positioning of the hood. Can be reached from all sides.
2. Damper control knob.
3. Quick-fit catch for simple exchange of extension hose and hood.

4. Switch for light cartridge

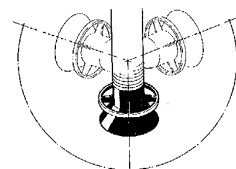
(see accessories HL-20/24).

5. Switch for manual start/stop of fan or damper (see accessories SA-24, ES-90 or ASE-12).



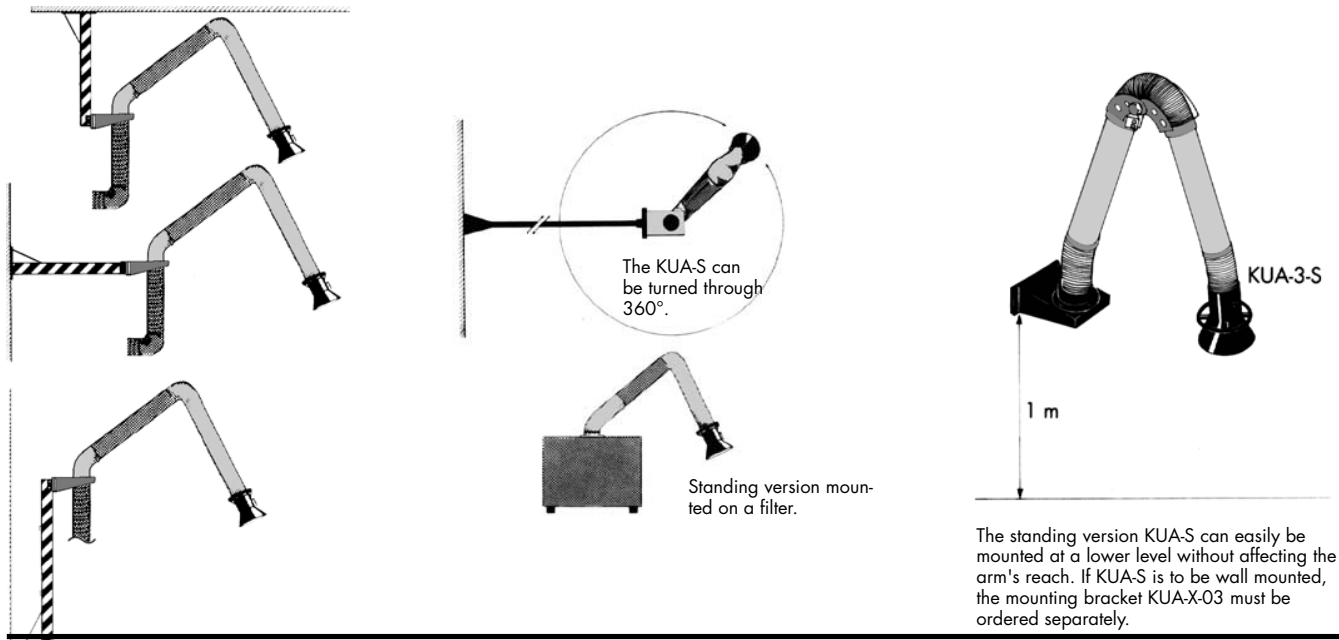
Hood operation

The black, enamelled ano-dised metal hood can be angled 110° forwards, backwards and to the sides. Large, 360°, ring handle, Ø300 mm.



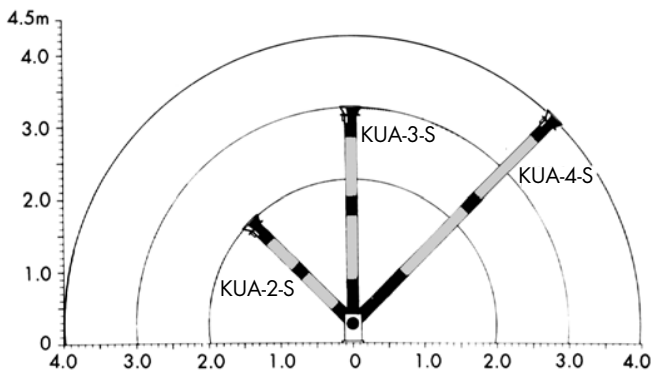
Mounting examples

KUA-S with stanchion PA-110 or PA-220



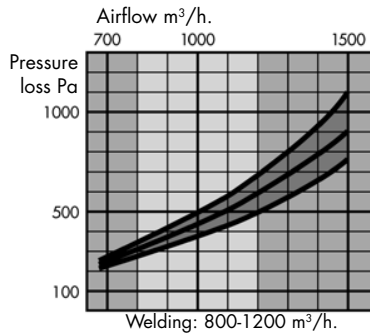
Working radius for KUA -2 -3 -4 -S

Maximum reach with KUA -2 -3 -4 -S



Pressure loss

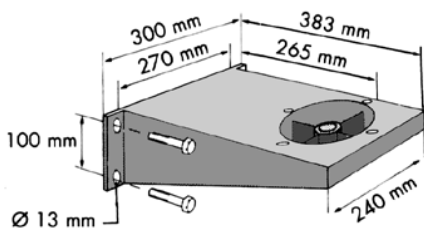
The pressure loss diagram below shows the average pressure loss through the KUA-S. The pressure loss can vary within the shaded area.



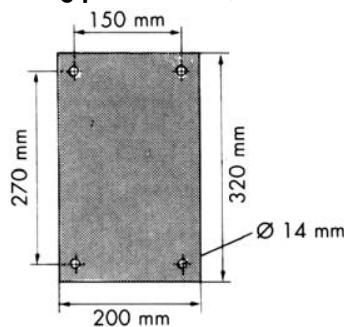
The following aspects affect the pressure loss in the KUA-S arm:

1. The length of the arm: 2, 3 or 4m.
2. The air volume.
3. The bends in the arm.

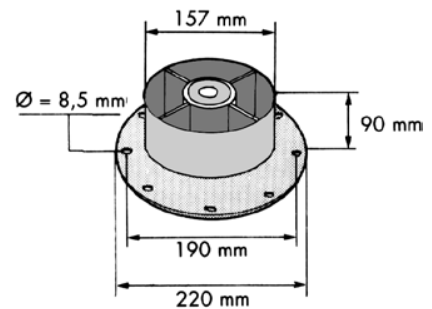
Wall mounting bracket for KUA-S



Mounting plate PA-110, 220



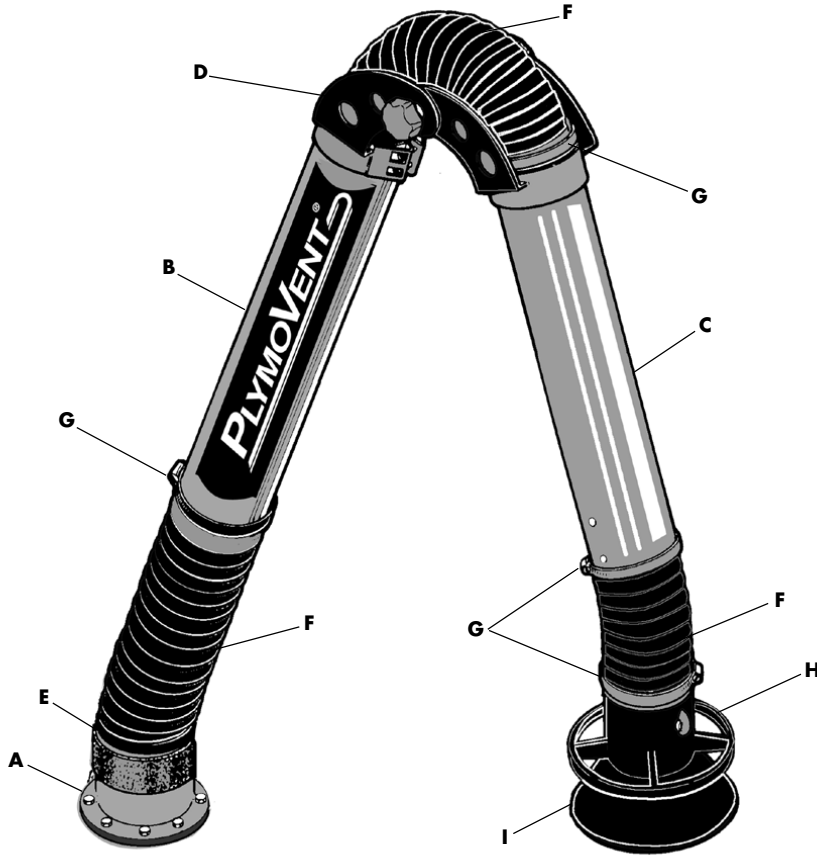
Mounting flange for KUA-S



MOUNTING INSTRUCTION

KUA-2-S, -3-S, -4-S

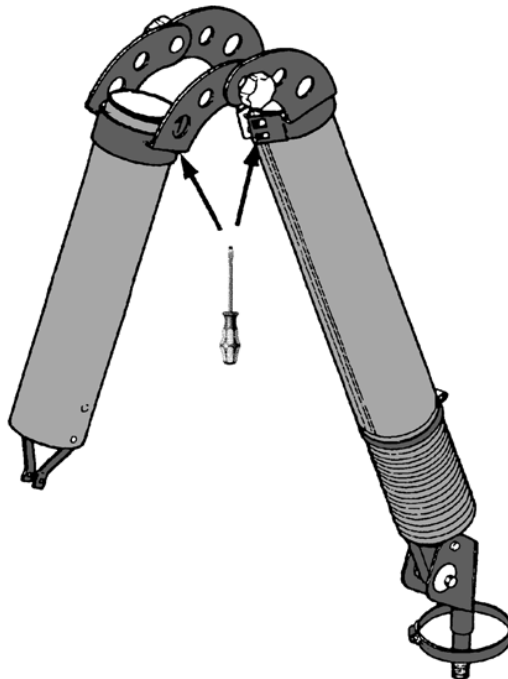
© Copyright 2008: All rights reserved. All information within this printed matter may not be reproduced, handed over, copied, xeroxed or translated into another language in any form or means without written permission from Plymovent AB. Plymovent AB reserves the right to make design changes.

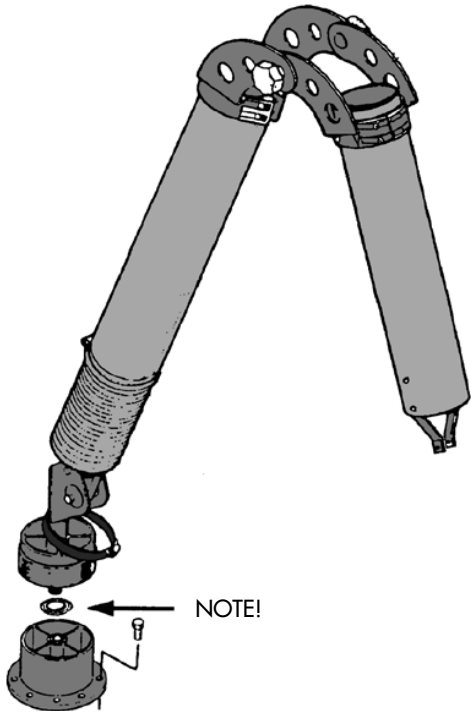


Pos no	DESCRIPTION
A	Mounting flange
B	Inner arm
C	Outer arm
D	Hinged joint
E	Rubber collar
F	Hose
G	Jubilee clip
H	Hood collar
I	Hood

Mounting instruction

1. Attach inner arm to outer arm by means of hinged joint.



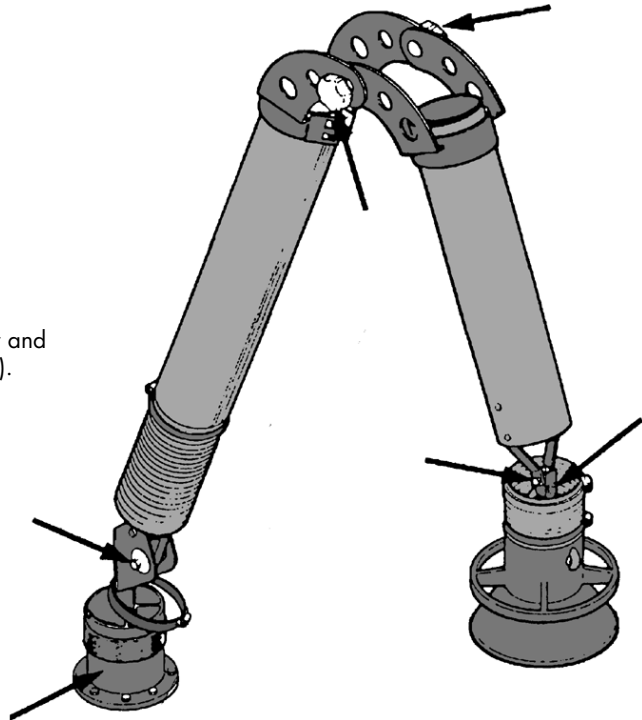


2. Mount the flange on the filter and the rubber collar on the inner arm. Then mount the arm on the filter.

NOTE! THE WASHER!

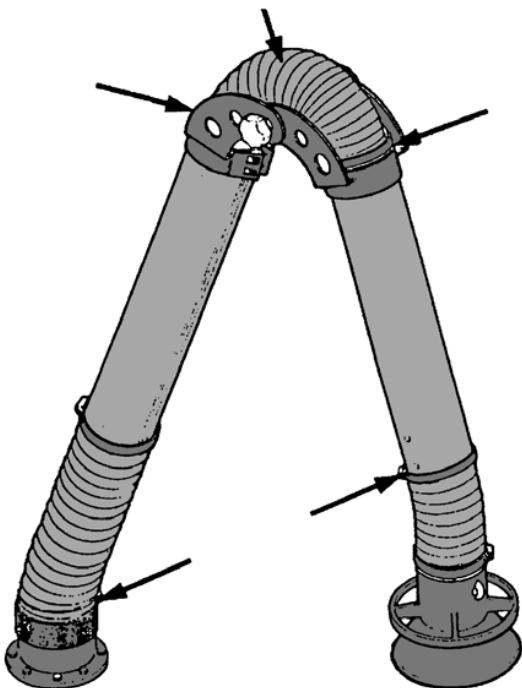
NOTE!

3. Fit hose, jubilee clips, hood collar and hood to outer arm (Hose 400 mm).



4. Adjust all friction joints to correct tension

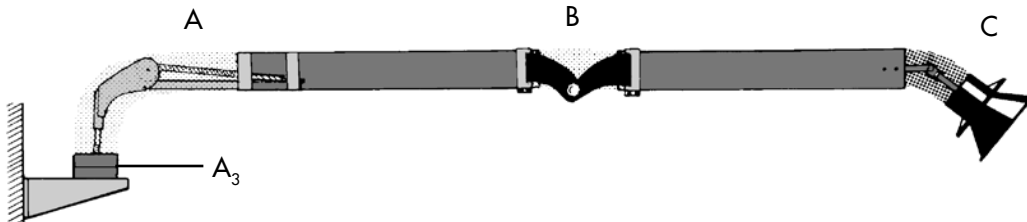
5. Fit hoses and jubilee clips (Hose 650 mm).



MAINTENANCE INSTRUCTION

KUA-S

© Copyright 2008: All rights reserved. All information within this printed matter may not be reproduced, handed over, copied, xeroxed or translated into another language in any form or means without written permission from Plymovent AB. Plymovent AB reserves the right to make design changes.



A. If the arm will not stay in the required position:

1. Loosen the hose at A.
2. Pull the extractor out to its full length and angle it horizontally. Loosen the friction brake until the arm drops towards the floor. Tighten until it no longer drops.
3. If the arm is difficult to move sideways or moves on its own sideways, then adjustments must be made to the friction collar. This is done by either loosening or tightening the screw. Use an allen key.



B. If the outer arm will not stay in the required position:

1. Angle the outer arm horizontally. Loosen the friction brake until the arm drops towards the floor. Tighten until it no longer drops.

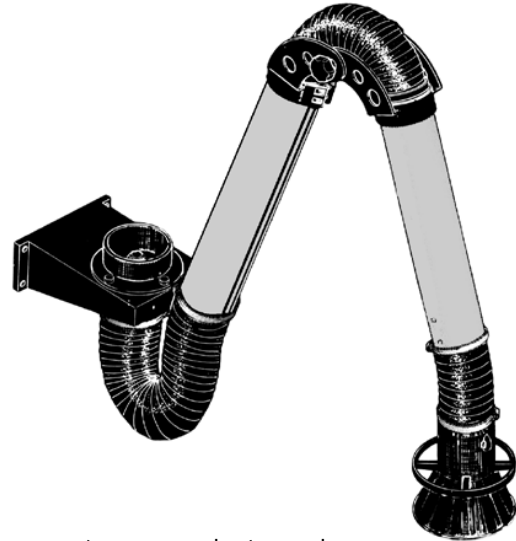
C. If the hood will not stay in the required position:

1. Loosen the hose at C.
2. Adjust the friction (see picture) until the hood will stay in the exact position.

	TECHNICAL DESCRIPTION
Ball-bearing jointed extraction arm KUA-ATEX	© Copyright 2009. All rights reserved. All information within this printed matter may not be reproduced, handed over, copied, revised or translated into another language in any form or means without written permission from PlymoVent AB. PlymoVent AB reserves the right to make design changes.

KUA-ATEX

The PlymoVent ball-bearing jointed extraction arm – KUA – is a flexible and efficient extractor for dust, welding fumes, soldering fumes, oilmist, fumes from solvents etc. Ideal for many problem areas. The outer and inner arm are coupled by an externally mounted elbow joint for which we have a patent application pending. This external joint is adjusted by hand without the need for any tools. The lower spring-assisted joint supported in a double ball-bearing mount, gives KUA a smooth, flexible movement. The KUA reaches above its mounting height and is manoeuvrable through 360°. Both outer and inner arms are made of light, smooth aluminium tubing. This not only makes the arm rugged but also minimises the total weight and noise level, even at high extraction rates.



Area of use

This product is intended to use in environments where explosive air mixes, (gas, mist, dust), can be present.

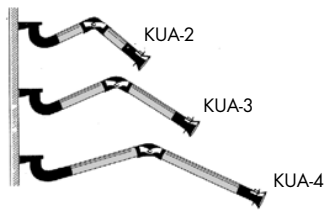
The product may only be used where the rotation is limited to <360 degrees.

WARNING!

The product may not be used to evacuate dusts with *MIE-value <5mj.

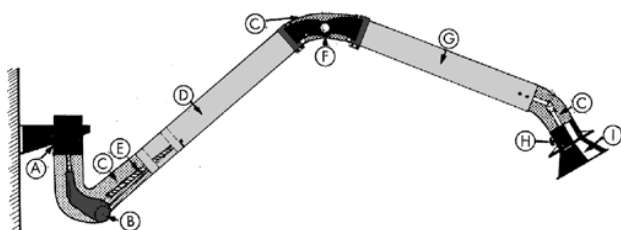
*MIE = Minimum Ignition Energy

Technical data



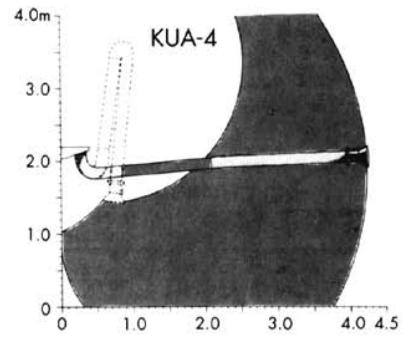
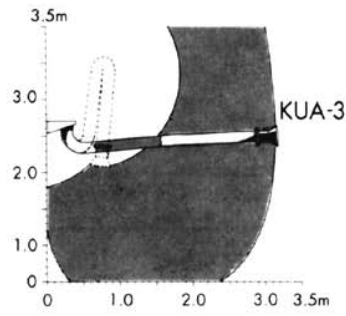
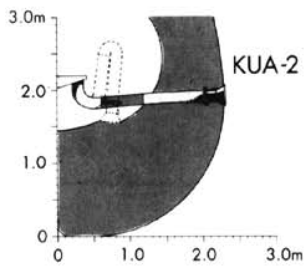
Length:		Weight:	Air flow:
KUA-2-ATEX	2m	20 kg	800-1200 m3/h
KUA-3-ATEX	3m	23,5 kg	800-1200 m3/h
KUA-4-ATEX	4m	25 kg	800-1200 m3/h
Diameter tubes/hoses	160mm		
Equipment group	II		
Equipment category	2		
Zon, gas/solvent	1		
Zone, dust	21		
Usage temperature	Max. 90degrees C		

Components and operation



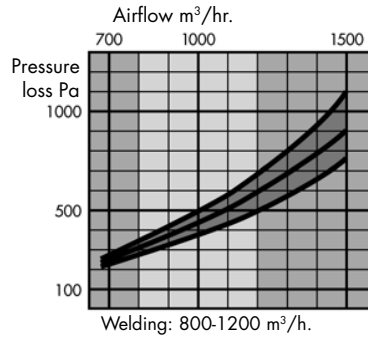
- A** Ball-bearing mounting bracket complete with Ø160 mm inlet spigot.
- B** Inner arm pivot with friction pad tensioning adjustment.
- C** Antistatic polyurethane hose.
- D** Aluminium inner arm.
- E** Tensioned support spring.
- F** Externally adjustable elbow joint (patent application pending).
- G** Aluminium outer arm.
- H** Universal joint with hood collar and shut-off damper.
- I** Hood, constructed from sheet steel, includes safety mesh and quick-fit coupling. Hood opening Ø300 mm. 360° ring handle Ø300mm.

Working radius for KUA-2-3-4



Pressure loss

The pressure loss diagram below shows the average pressure loss through the KUA. The pressure loss can vary within the shaded area.

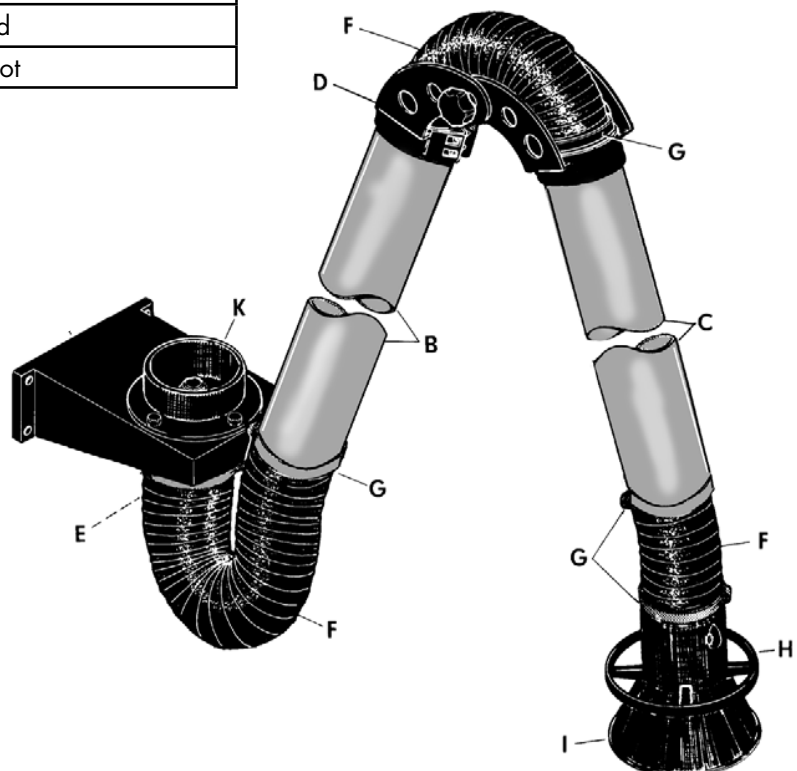


The following aspects affect the pressure loss in the KUA arm:

1. The length of the arm: 2, 3 or 4m.
2. The air volume.
3. The bends in the arm.

MOUNTING INSTRUCTION

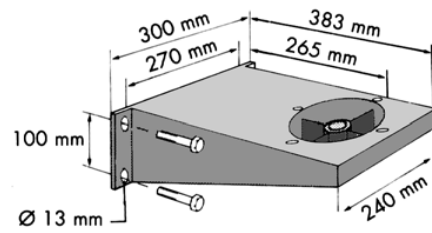
pos no	Description	pos no	Benämning
A	Mounting bracket	F	Hose
B	Inner arm	G	Jubilee clip
C	Outer arm	H	Hood collar
D	Hinged joint	I	Hood
E	Rubber collar	K	Spigot



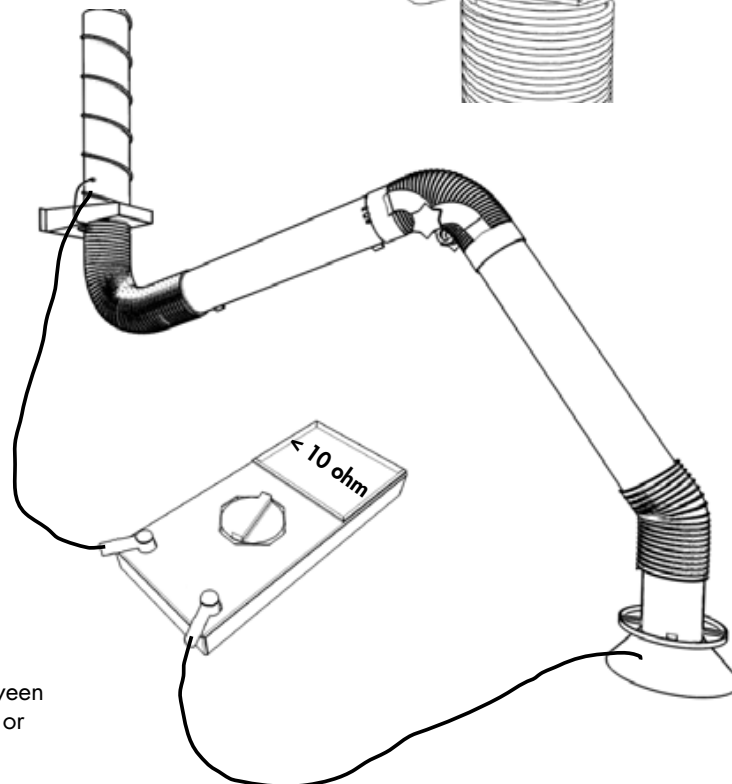
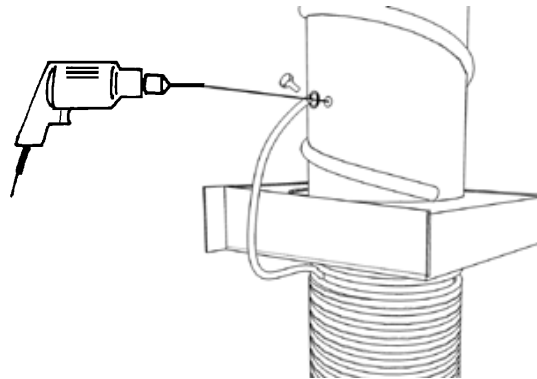
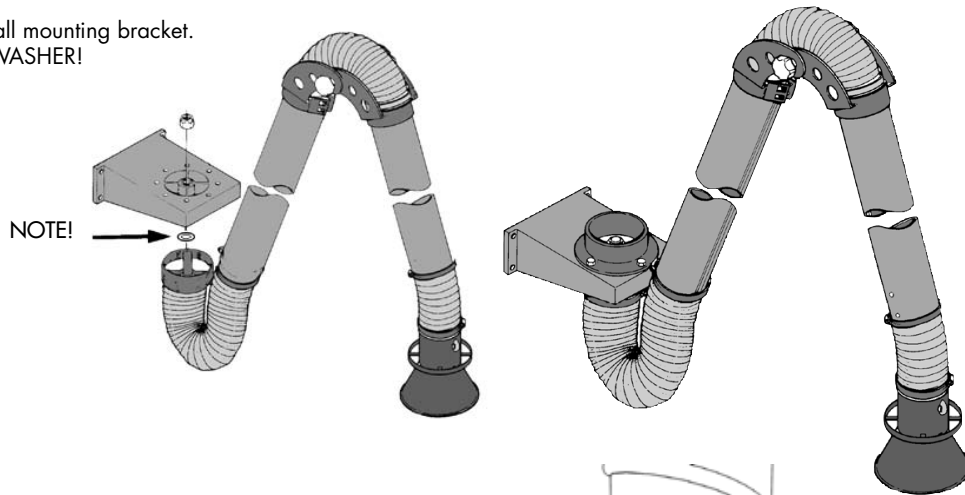
MOUNTING INSTRUCTION

1. Bolt mounting bracket to wall.

Recommended mounting height 2.2-3 m from floor.



Mount arm to wall mounting bracket.
NOTE! THE WASHER!

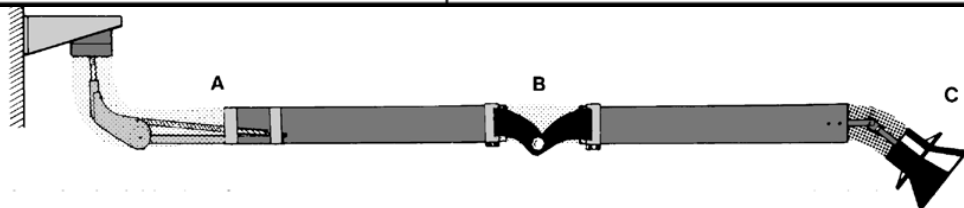


Check ground connection between
hood and duct with instrument or
buzzer

MAINTENANCE INSTRUCTION

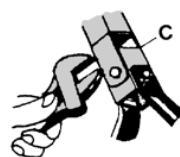
Ball-bearing jointed extraction arm KUA-ATEX

© Copyright 2008. All rights reserved. All information within this printed matter may not be reproduced, handed over, copied, xeroxed or translated into another language in any form or means without written permission from PlymoVent AB. PlymoVent AB reserves the right to make design changes.



A. If the arm will not stay in the required position:

1. Loosen the hose at A.
2. Pull the extractor out to its full length and angle it horizontally. Loosen the friction brake until the arm drops towards the floor. Tighten until it no longer drops.
3. If the arm is difficult to move sideways or moves on its own sideways, then adjustments must be made to the friction collar. This is done by either loosening or tightening the screw. Use an allen key.



B. If the outer arm will not stay in the required position:

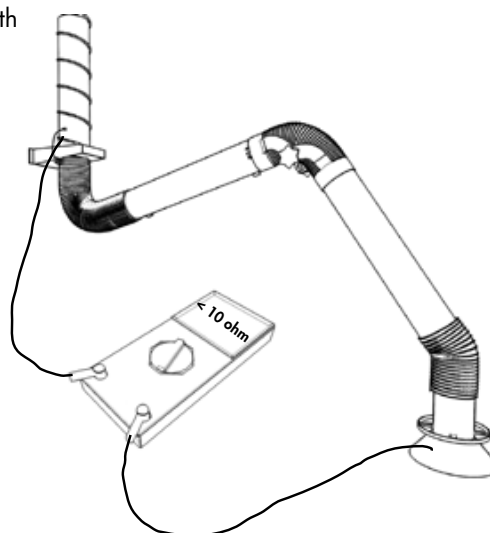
1. Angle the outer arm horizontally. Loosen the friction brake until the arm drops towards the floor. Tighten until it no longer drops.

C. If the hood will not stay in the required position:

1. Loosen the hose at C.
2. Adjust the friction (see picture) until the hood will stay in the exact position.

D. Check

1. Check on a regular basis ground connection between hood and duct with instrument or buzzer
2. When replacing hoses the ground connection must be checked.




Declaration of conformity

We, PlymoVent AB, hereby declare under sole responsibility that the product KUA-ATEX conforms to the following standards: EN 292-1, EN 292-2, EN 50014 and EN 13463-1 according to the directive, 98/37/EG and ATEX 94/9/EC. The product is classified to category 2, group IIB and can be used in zone 1 (gas, solvent) and 21 (dust).

This declaration will cease to be valid if any modifications are made to the product without our express approval.

PlymoVent AB
Sågvägen 19
921 28 LYCKSELE


Lennart Wallberg
R&D Manager

KUA/EN/5/8

Afzuigarm met kogellager, type KUA

De PlymoVent afzuigarm met kogellager, type KUA, is een veelzijdig inzetbare en doelmatig werkende afzuigunit voor stof, lasrook, soldeerdampen, olienevel, dampen van oplosmiddelen, etc. Ideaal voor probleemgebieden.

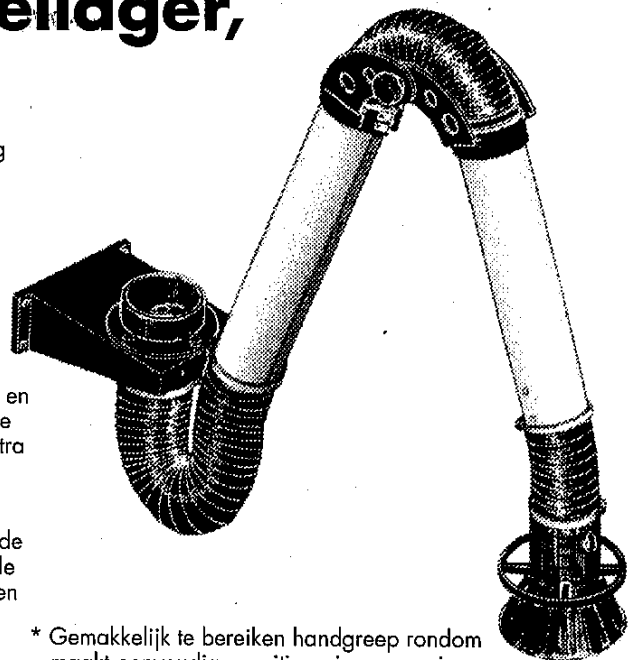
De buiten- en binnenarm zijn gekoppeld via een aan de buitenzijde verstelbaar scharnier (patent aangevraagd). Dit scharnier kan met de hand worden veresteld, zonder dat daarbij gereedschap nodig is. Het veerbelaste scharnier aan de onderzijde van de wandconsole gemonteerd in een dubbel kogellager, zorgt ervoor dat de KUA soepel kan worden verplaatst. De KUA reikt hoger dan de montagehoogte en is verdraaibaar over 360°. Zowel de binnen- en buitenarm is gemaakt van lichtgewicht, gladde aluminium buis. Deze verschaft de arm niet alleen stevigheid, maar zorgt ook voor een extra laag totaalgewicht en geluidsniveau, zelfs bij hoge luchtvolumes.

Levering

De afzuigarm wordt compleet geleverd met wandconsole waaraan de ventilator direct kan worden gemonteerd. De eveneens meegeleverde aansluitflens met een diameter van 160 mm maakt aansluiting op een centraal afzuigkanaal mogelijk.

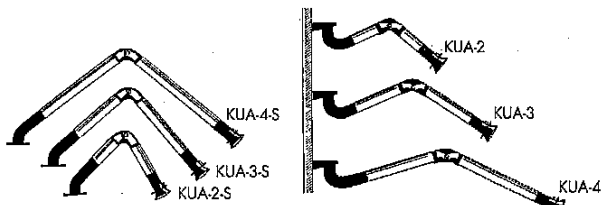
Voordelen

- * Eenvoudig te verstellen dankzij de kogellagering en veer.
- * Binnen- en buitenarm van aluminium buis zorgen voor extra mechanische stevigheid.
- * Aan buitenzijde verstelbare scharnier maakt eenvoudige afstelling mogelijk.



- * Gemakkelijk te bereiken handgreep rondom maakt eenvoudige positionering van zuigmond mogelijk.
- * Standaard steun voor montage aan plafond, vloer en wand maakt montage eenvoudig.
- * Reikt tot een hoogte van zo'n 6 m met steun PA-220.
- * Robuuste constructie.

Technische gegevens

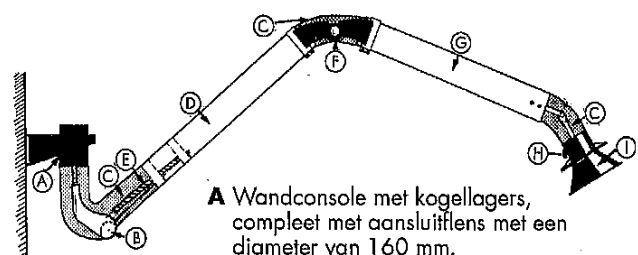


Standaard model. Met montageflens. Bereik van 2 m, 3 m resp. 4 m. Zonder wandconsole.

Standaard model voor montage aan wand of steun. Bereik van 2 m, 3 m resp. 4 m. Wandconsole meegeleverd.

Typenr.	Max. werkbereik (m)	Slangdiameter (mm)	Aanbevolen debiet gemeten aan de zuigmond (m³/u)
KUA-2	2,0	160	800 - 1200
KUA-3	3,0	160	800 - 1200
KUA-4	4,0	160	800 - 1200
KUA-2-S	2,0	160	800 - 1200
KUA-3-S	3,0	160	800 - 1200
KUA-4-S	4,0	160	800 - 1200

Opbouw en werking



A Wandconsole met kogellagers, compleet met aansluitflens met een diameter van 160 mm.

B Zwenkarmscharnier met frictieverstelling

C Vlamvertragende slang gemaakt uit polyamide-vezel met PVC-coating en voorzien van inwendige stalen spiraalveer

D Aluminium zwenkarm

E Voorgespannen trekveer

F Extern afstelbare middenscharnier (patent aangevraagd)

G Aluminium knikarm

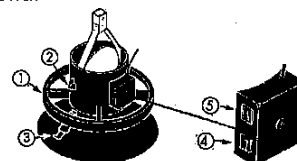
H Universele koppeling met handgreep en smoorklep

I Zuigmond, gemaakt van plaatstaal, voorzien van veiligheids-gas en snelkoppeling. Zuigmondopening: 300 mm. Handgreep rondom met diameter van 300 mm. N.B.: de zuigmond kan 110° in alle richtingen worden gekanteld.

Gebruik

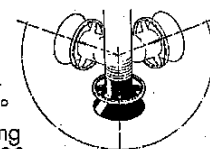
- 1 Handgreep rondom voor het positioneren van de zuigmond. Van alle zijden bereikbaar.
- 2 Klepbedieningsknop.
- 3 Snelkoppeling voor eenvoudig uitwisselen van verlengslang en zuigmond.

- 4 Lichtschakelaar voor halogeenarmatuur (zie onder "accessoires", nr. HL-20/24)
- 5 Schakelaar voor handmatig starten/stoppen van ventilator of servo-klep (zie onder "accessoires", nr. SA-24, ES-90 of ASE-12).



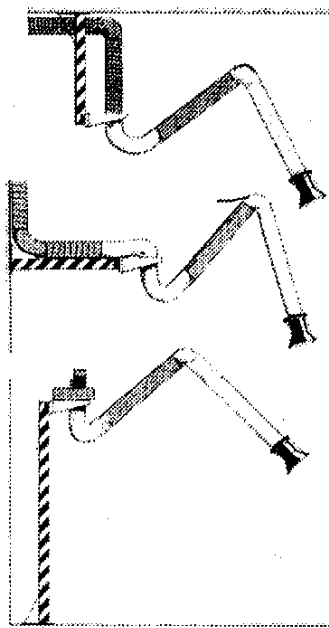
Bediening zuigmond

De zwarte, gepoedercoate zuigmond kan in alle richtingen 110° worden gekanteld. Grote grijpring rondom met een diameter van 300 mm.

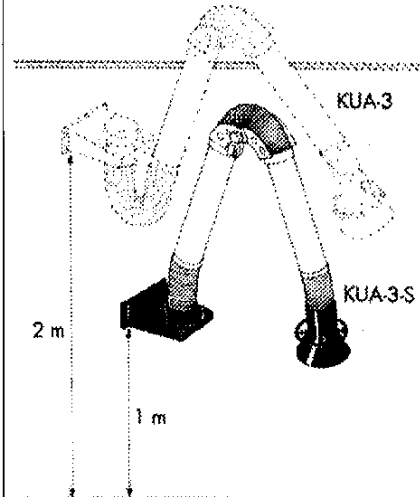


Montagevoorbeelden

KUA met steun PA-110 of PA-220.

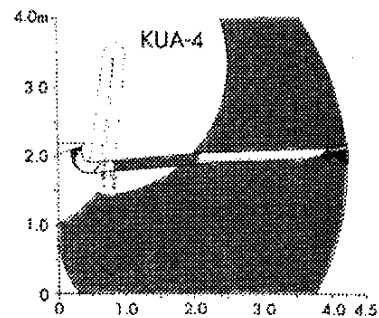
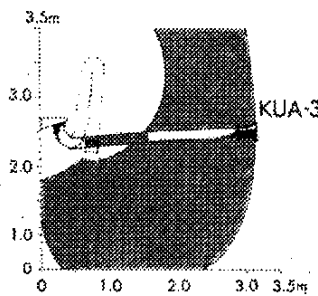
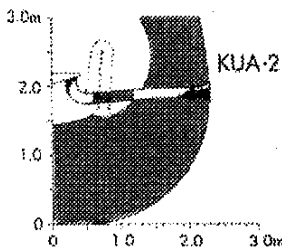


De KUA met standaard wandconsole en losse ventilator (de ventilator is rechtstreeks op de wandconsole van de KUA gemonteerd).

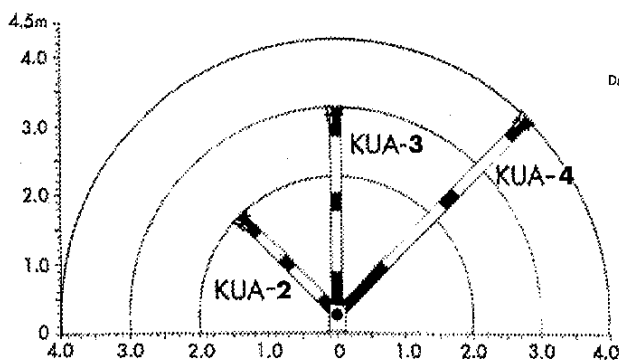


De staande versie KUA-S kan eenvoudig lager worden gemonteerd zonder dat daardoor het bereik van de arm kleiner wordt. Voor wandmontage van de KUA-S dient de wandconsole KUA-X-03 afzonderlijk te worden besteld.

Werkbereik van KUA-2, 3 en 4

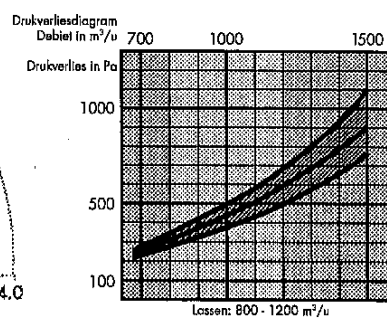


Maximum bereik van KUA-2, 3 en 4.



Drukverlies

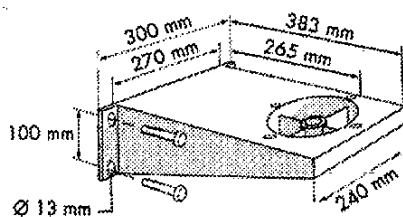
In het onderstaande drukverliesdiagram is het gemiddelde drukverlies van de KUA weergegeven. Het drukverlies schommelt binnen het gemarkeerde gebied.



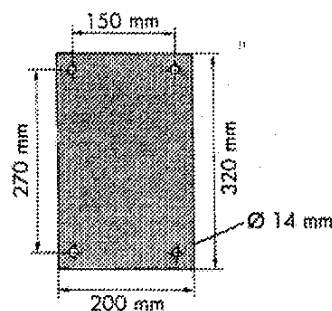
Het drukverlies in de KUA-arm wordt beïnvloed door:

- 1 de lengte van de arm (2, 3 of 4 m);
- 2 het luchtvolume;
- 3 de scharnierpunten in de arm.

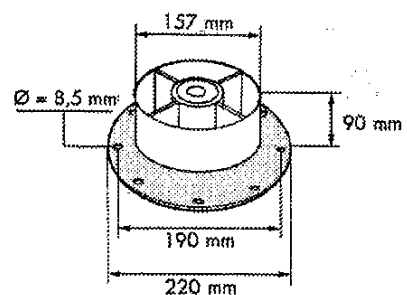
Wandconsole voor de KUA



Bevestigingsplaat PA-110, 220



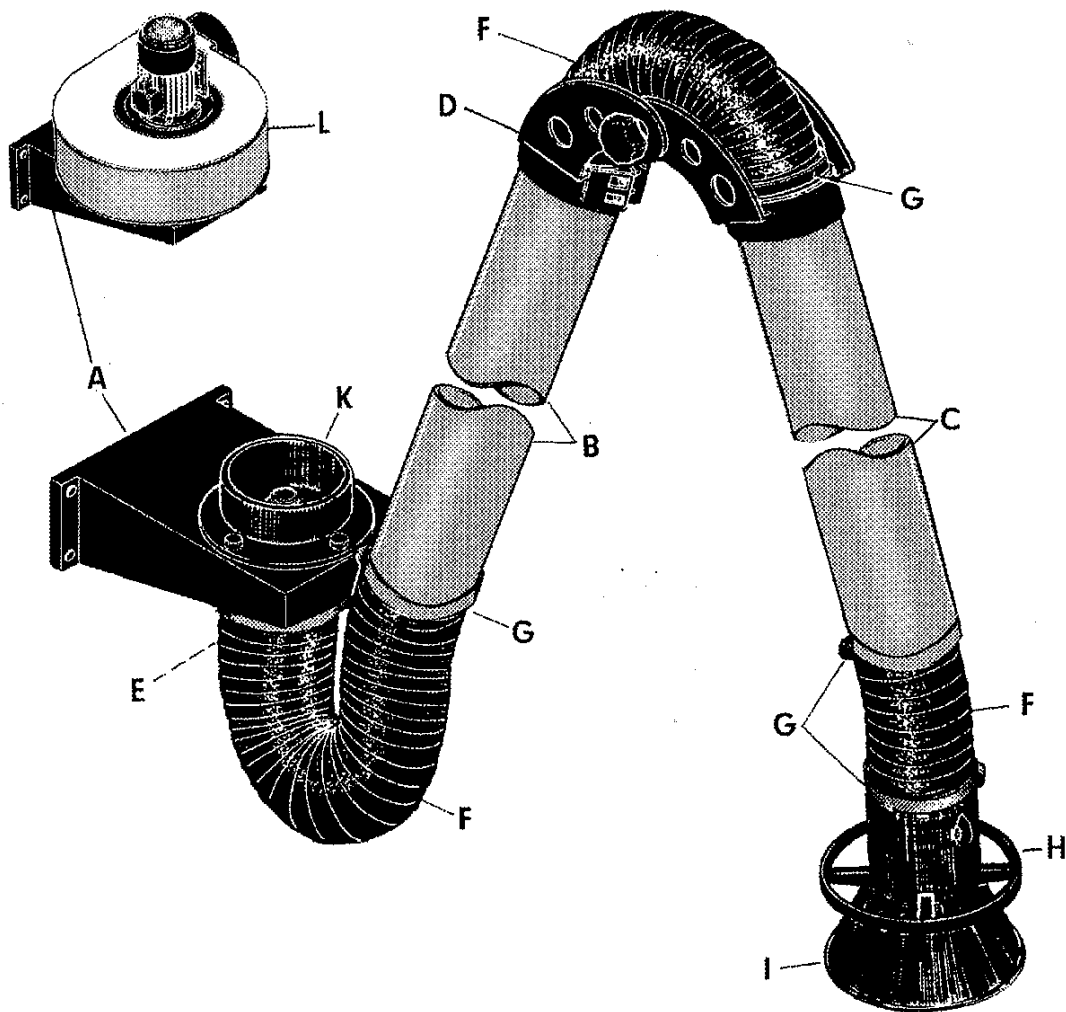
Montageflens voor de KUA-S



MONTAGEHANDLEIDING

FLEXIBELE AFZUIGARM KUA-2, -3, -4

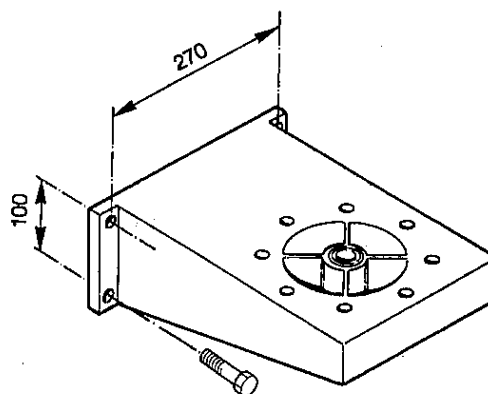
© Copyright 1995: All rights reserved. Nothing from this publication may be reproduced, handed over, copied, or translated into other language, in any form or means without written permission from PlymoVent AB. PlymoVent AB reserves the right to make design changes without notice.



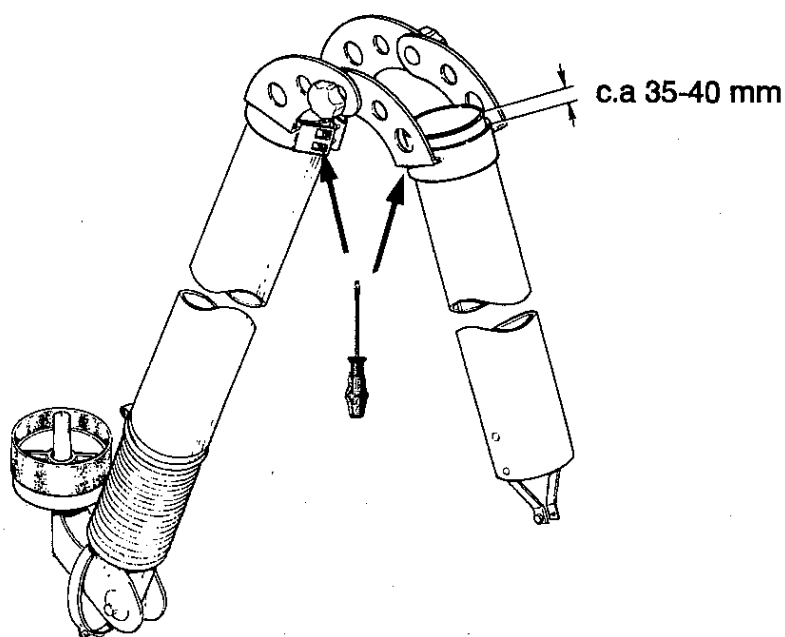
Art. nr.	BENAMING
A	Bevestigingsconsole
B	Binnenarm
C	Buitenarm
D	Scharnier
E	Rubbermanchet
F	Slang
G	Slangkiem
H	Handgreep
I	Zuigmond
K	Aansluitflens, kunststof
L	Ventilator

1. Bevestigingsconsole aan wand of constructie monteren

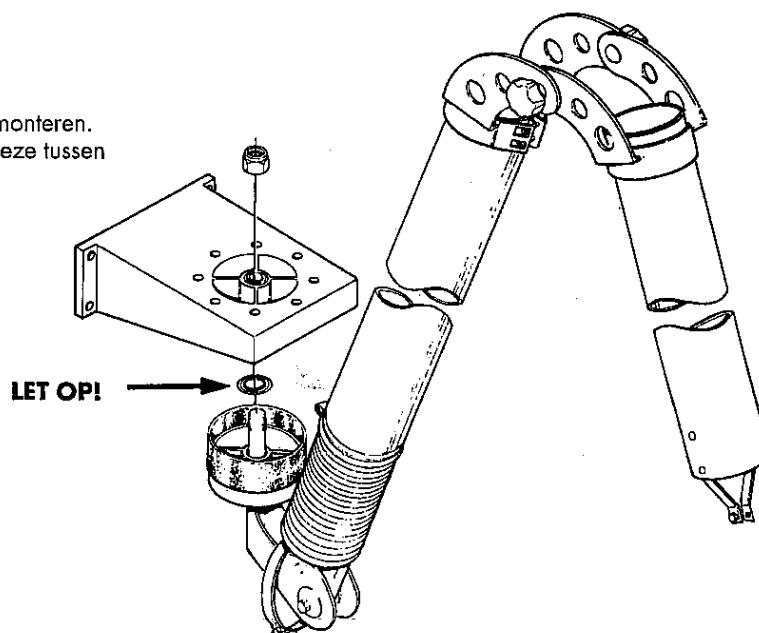
Montagehoogte vanaf werkvloer gemeten: 2,3 - 3 meter



2. Binnenarm, scharnier en buitenarm samenstellen, en rubbermanchet monteren



3. Binnenarm aan de bevestigingsconsole monteren. Vergeet de onderlegging niet. Monteer deze tussen de kunststof draairing en de console.

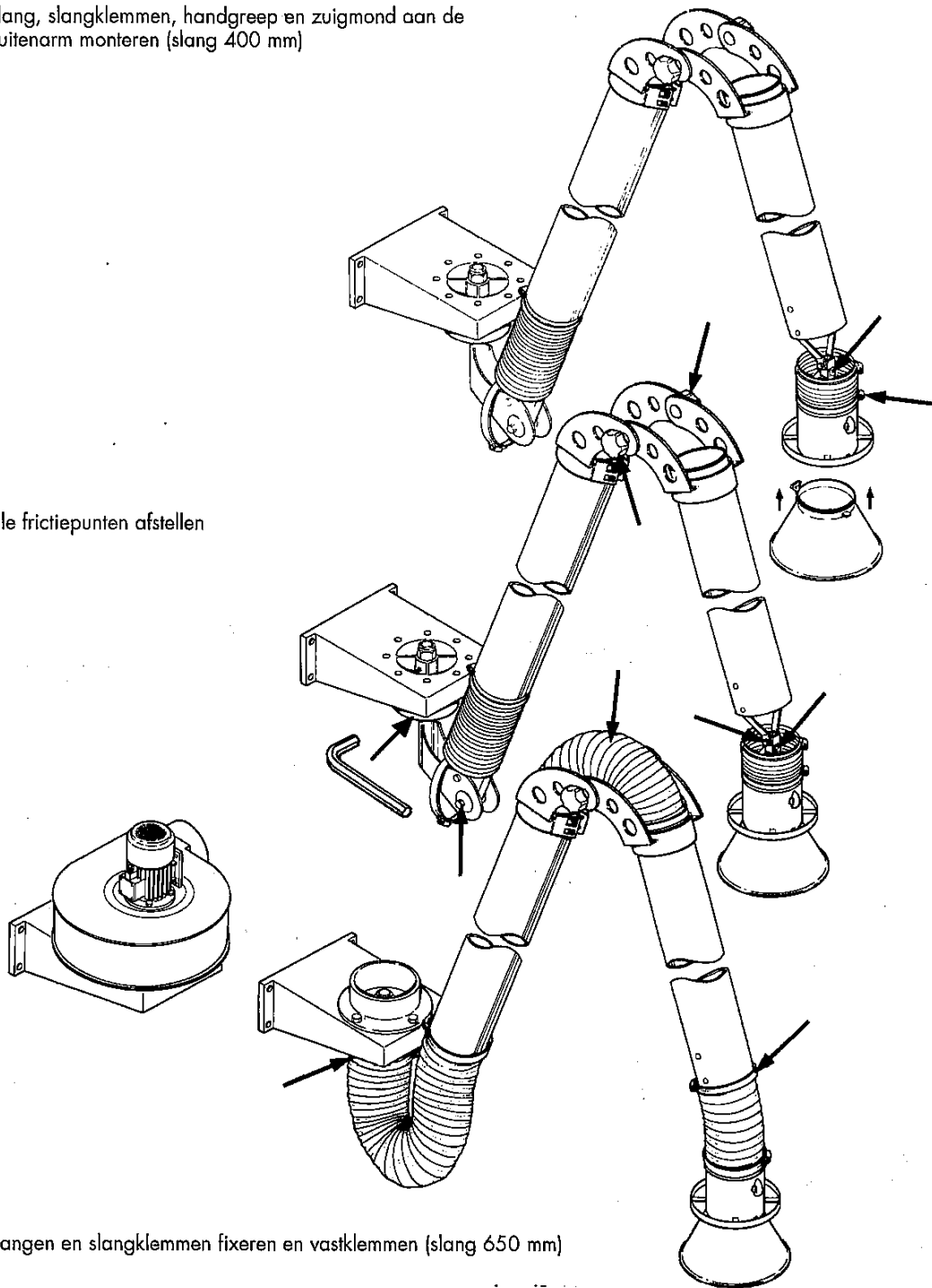


4. Slang, slangklemmen, handgreep en zuigmond aan de buitenarm monteren (slang 400 mm)

5. Alle frictiepunten afstellen

6. Slangen en slangklemmen fixeren en vastklemmen (slang 650 mm)

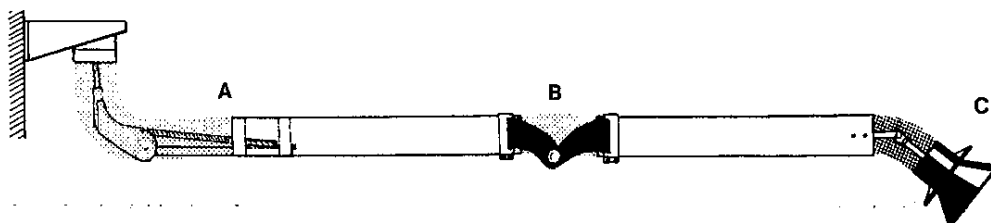
7. Kunststof aansluitflens of ventilator aan de bevestigingsconsole monteren



GEBRUIKSAANWIJZING

FLEXIBELE AFZUIGARM KUA-2, -3, -4

© Copyright 1995: All rights reserved. Nothing from this publication may be reproduced, handed over, copied, or translated into other language, in any form or means without written permission from PlymoVent AB. PlymoVent AB reserves the right to make design changes without notice.



A. Indien de arm niet in de gewenste stand blijft staan:

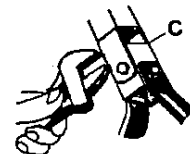
1. Maak de slang los bij punt A.
2. Trek de arm zover mogelijk horizontaal uit. Stel de frictie van het scharnier zo in, dat de arm net in de ingestelde stand blijft staan.
3. Indien de arm moeilijk zijwaarts te bewegen is of uit zichzelf zijwaarts draait, dient de frictie met behulp van de frictiebus te worden bijgesteld. Dit is mogelijk door de imbusbout met een imbusleutel strakker of losser te draaien.

B. Indien de buitenarm niet in de gewenste stand blijft staan:

1. Breng de buitenarm in horizontale stand. Draai de frictieknoppen zo vast dat de buitenarm net in de ingestelde stand blijft staan.

C. Indien de zuigmond niet in de gewenste stand blijft staan:

1. Maak de slang los bij punt C.
2. Stel de frictie in (zie tekening) tot de zuigmond in de ingestelde stand blijft staan.



TECHNISCHE BESCHRIJVING

KUA-S

© Copyright 1996: All rights reserved. Nothing from this publication may be reproduced, handed over, copied, or translated into other language, in any form or means without written permission from PlymoVent AB. PlymoVent AB reserves the right to make design changes. For more information contact PlymoVent customer service; Tel +46 40 30 31 30, Fax +46 40 30 31.

Afzuigarm met kogellager, type KUA-S

De PlymoVent afzuigarm met kogellager, type KUA, is een veelzijdig inzetbare en doelmatig werkende afzuigunit voor stof, lasrook, soldeerdampen, olienevel, dampen van oplosmiddelen, etc. Ideaal voor probleemgebieden. De buiten- en binnenarm zijn gekoppeld via een aan de buitenzijde verstelbaar scharnier (patent aangevraagd). Dit scharnier kan met de hand worden versteld, zonder dat daarbij gereedschap nodig is. Het veerbelaste scharnier aan de onderzijde van de wandconsole gemonteerd in een dubbel kogellager, zorgt ervoor dat de KUA soepel kan worden verplaatst. De KUA reikt hoger dan de montagehoogte en is verdraaibaar over 360°. Zowel de binnen- en buitenarm is gemaakt van lichtgewicht, gladde aluminium buis. Deze verschaft de arm niet alleen stevigheid, maar zorgt ook voor een extra laag totaalgewicht en geluidsniveau, zelfs bij hoge luchtvolumes.

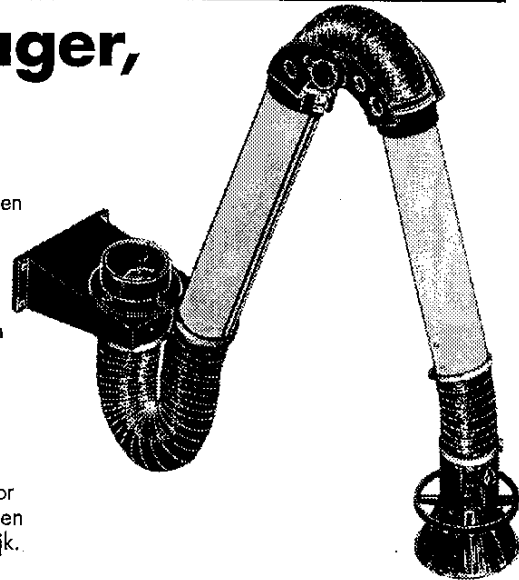
Levering

De afzuigarm wordt compleet geleverd met wandconsole waaraan de ventilator direct kan worden gemonteerd. De eveneens meegeleverde aansluitflens met een diameter van 160 mm maakt aansluiting op een centraal afzuigkanaal mogelijk.

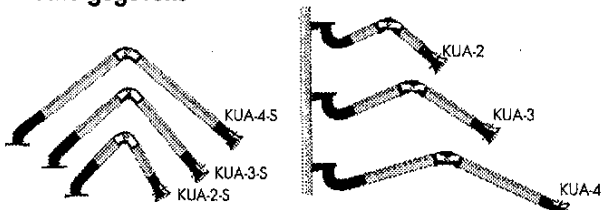
Voordelen

- * Eenvoudig te verstellen dankzij de kogellagering en veer.
- * Binnen- en buitenarm van aluminium buis zorgen voor extra mechanische stevigheid.
- * Aan buitenzijde verstelbare scharnier maakt eenvoudige afstelling mogelijk.

- * Gemakkelijk te bereiken handgreep rondom maakt eenvoudige positionering van zuigmond mogelijk.
- * Standaard steun voor montage aan plafond, vloer en wand maakt montage eenvoudig.
- * Reikt tot een hoogte van zo'n 6 m met steun PA-220.
- * Robuuste constructie.



Technische gegevens

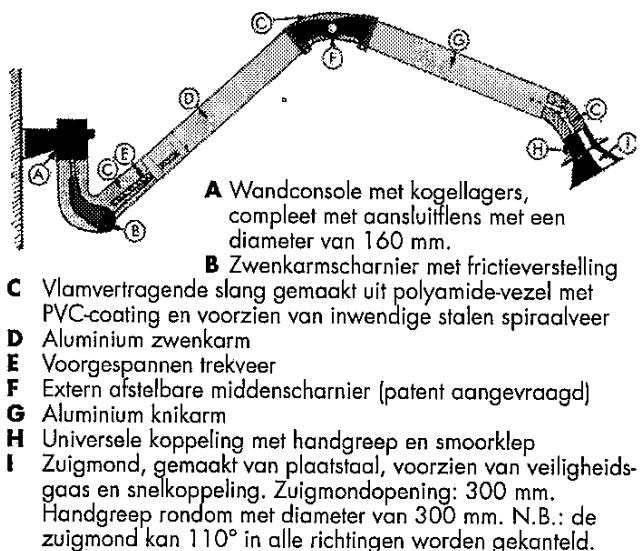


Staan model. Met montageflens. Bereik van 2 m, 3 m resp. 4 m. Zonder wandconsole.

Standaard model voor montage aan wand of steun. Bereik van 2 m, 3 m resp. 4 m. Wandconsole meegeleverd.

Typenr.	Max. werkbereik (m)	Slangdiameter (mm)	Aanbevolen debiet gemeten aan de zuigmond (m ³ /u)
KUA-2	2,0	160	800 - 1200
KUA-3	3,0	160	800 - 1200
KUA-4	4,0	160	800 - 1200
KUA-2-S	2,0	160	800 - 1200
KUA-3-S	3,0	160	800 - 1200
KUA-4-S	4,0	160	800 - 1200

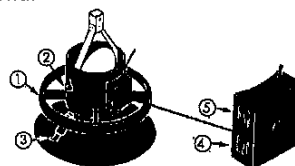
Opbouw en werking



Gebruik

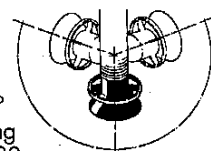
- 1 Handgreep rondom voor het positioneren van de zuigmond. Van alle zijden bereikbaar.
- 2 Klepbedieningsknop.
- 3 Snelkoppeling voor eenvoudig uitwisselen van verlengsling en zuigmond.

- 4 Lichtschakelaar voor halogeenarmatuur (zie onder "accessoires", nr. HL-20/24)
- 5 Schakelaar voor handmatig starten/stoppen van ventilator of servo-klep (zie onder "accessoires", nr. SA-24, ES-90 of ASE-12).



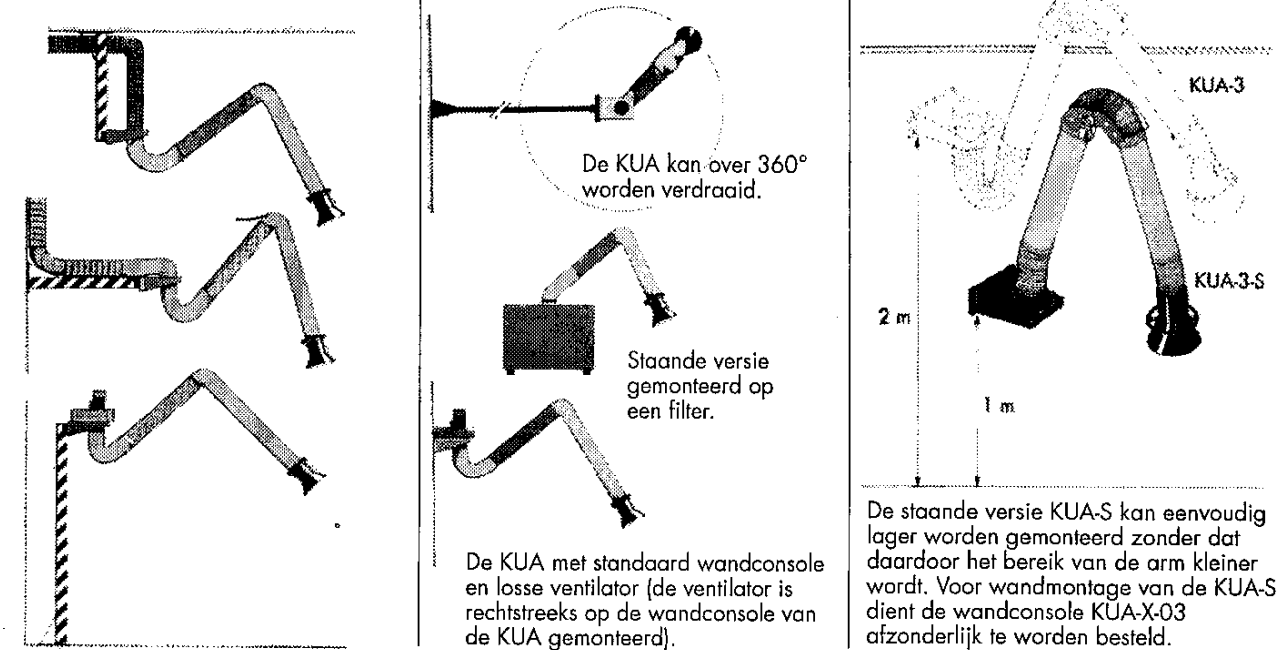
Bediening zuigmond

De zwarte, gepoedercoate zuigmond kan in alle richtingen 110° worden gekanteld. Grote grijping rondom met een diameter van 300 mm.

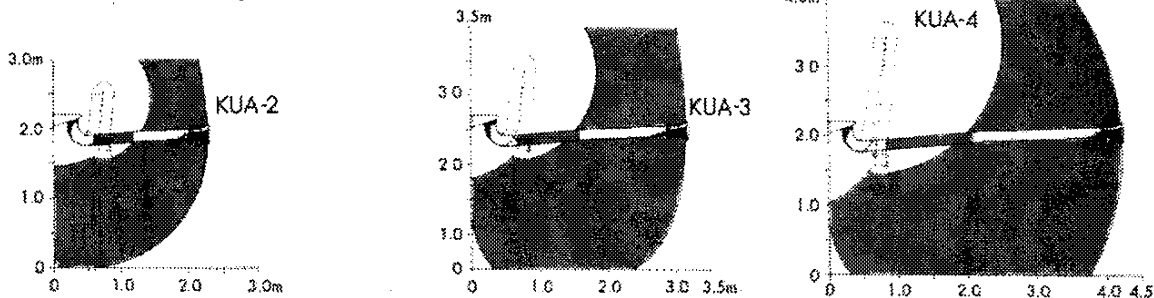


Montagevoorbeelden

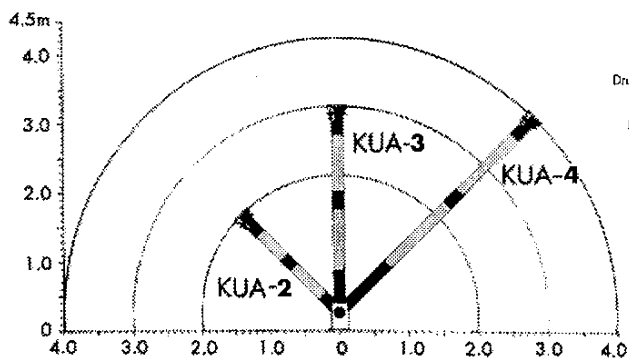
KUA met steun PA-110 of PA-220.



Werkbereik van KUA-2, 3 en 4

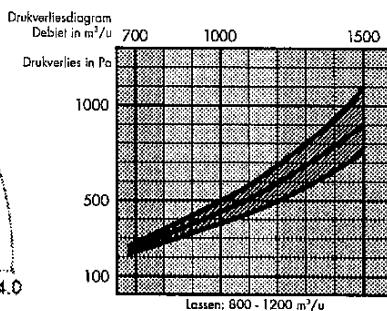


Maximum bereik van KUA-2, 3 en 4.



Drukverlies

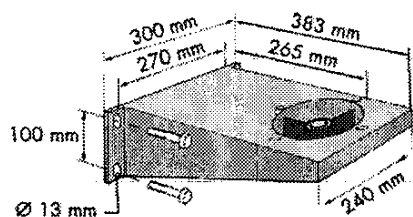
In het onderstaande drukverliesdiagram is het gemiddelde drukverlies van de KUA weergegeven. Het drukverlies schommelt binnen het gemarkeerde gebied.



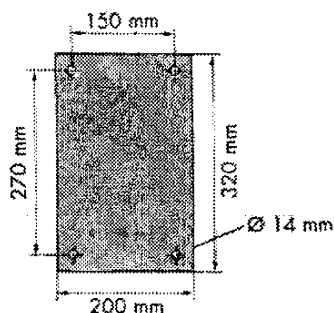
Het drukverlies in de KUA-arm wordt beïnvloed door:

- 1 de lengte van de arm (2, 3 of 4 m);
- 2 het luchtvolume;
- 3 de scharnierpunten in de arm.

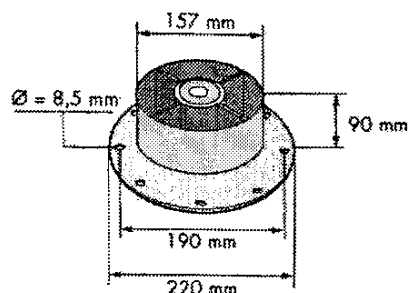
Wandconsole voor de KUA



Bevestigingsplaat PA-110, 220



Montageflens voor de KUA-S

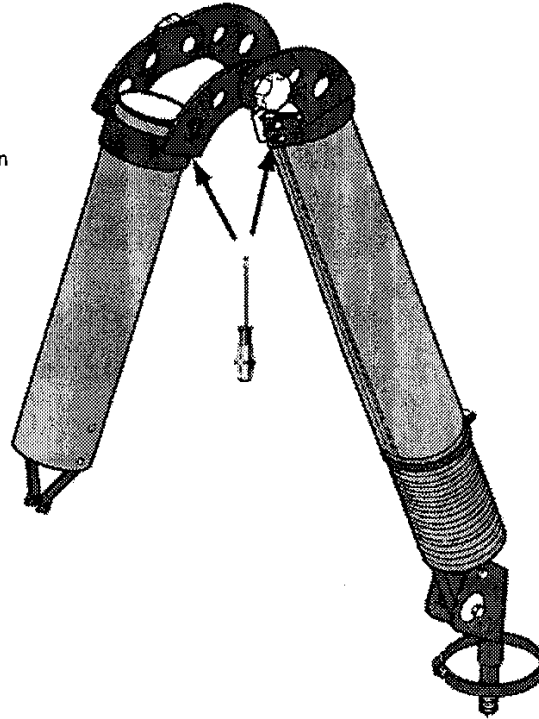


MONTAGEHANDLEIDING

KUA-2, -3, -4-S

© Copyright 1995: All rights reserved. Nothing from this publication may be reproduced, handed over, copied, or translated into other language, in any form or means without written permission from PlymoVent AB. PlymoVent AB reserves the right to make design changes without notice.

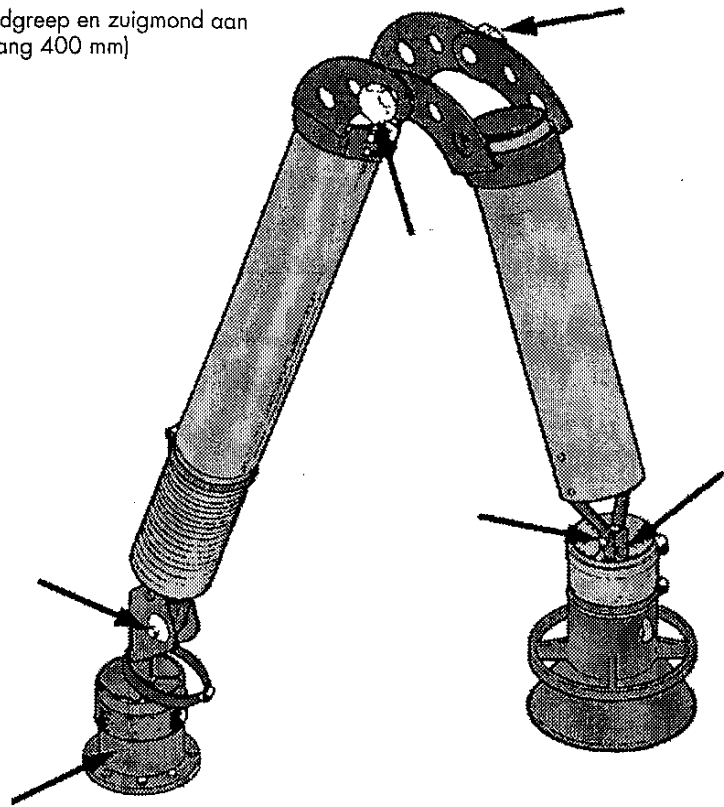
1. Binnenarm, scharnier en buitenarm samenstellen



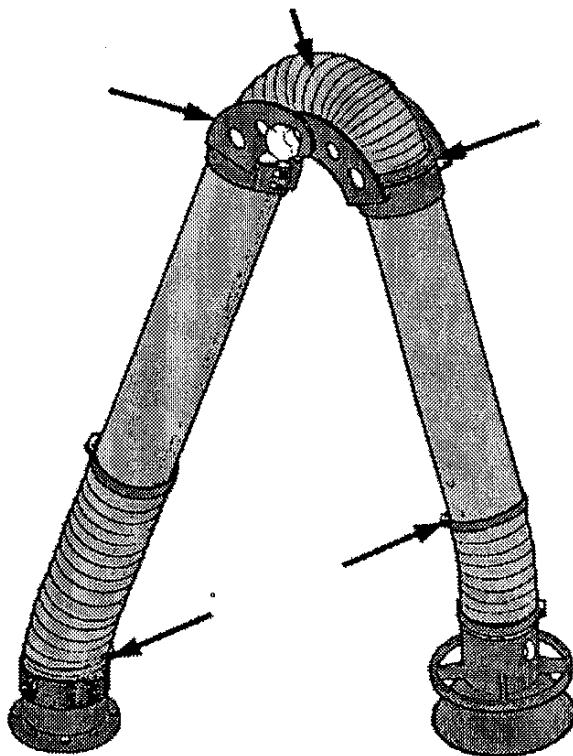
LET OP!

2. Draaiflens op filter monteren, rubbermanchet over binnenarm trekken, arm op draaiflens monteren en met rubbermanchet afdichten. Let op! onderlegging monteren

3. Slang, slangklemmen, handgreep en zuigmond aan de buitenarm monteren (slang 400 mm)



4. Alle frictiepunten afstellen

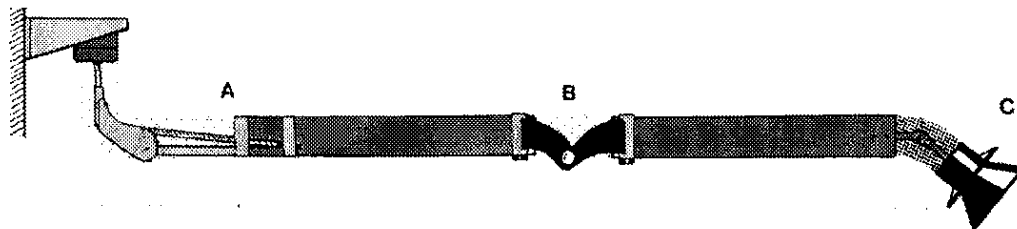


5. Slangen en slangklemmen fixeren en vastklemmen (slang 650mm)

GEBRUIKSAANWIJZING

FLEXIBELE AFZUIGARM KUA-2, -3, -4

© Copyright 1995: All rights reserved. Nothing from this publication may be reproduced, handed over, copied, or translated into other language, in any form or means without written permission from PlymoVent AB. PlymoVent AB reserves the right to make design changes without notice.



A. Indien de arm niet in de gewenste stand blijft staan:

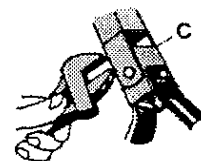
1. Maak de slang los bij punt A.
2. Trek de arm zover mogelijk horizontaal uit. Stel de frictie van het scharnier zo in, dat de arm niet in de ingestelde stand blijft staan.
3. Indien de arm moeilijk zijwaarts te bewegen is of uit zichzelf zijwaarts draait, dient de frictie met behulp van de frictiebus te worden bijgesteld. Dit is mogelijk door de imbusbout met een imbusleutel strakker of losser te draaien.

B. Indien de buitenarm niet in de gewenste stand blijft staan:

1. Breng de buitenarm in horizontale stand. Draai de frictieknoppen zo vast dat de buitenarm niet in de ingestelde stand blijft staan.

C. Indien de zuigmond niet in de gewenste stand blijft staan:

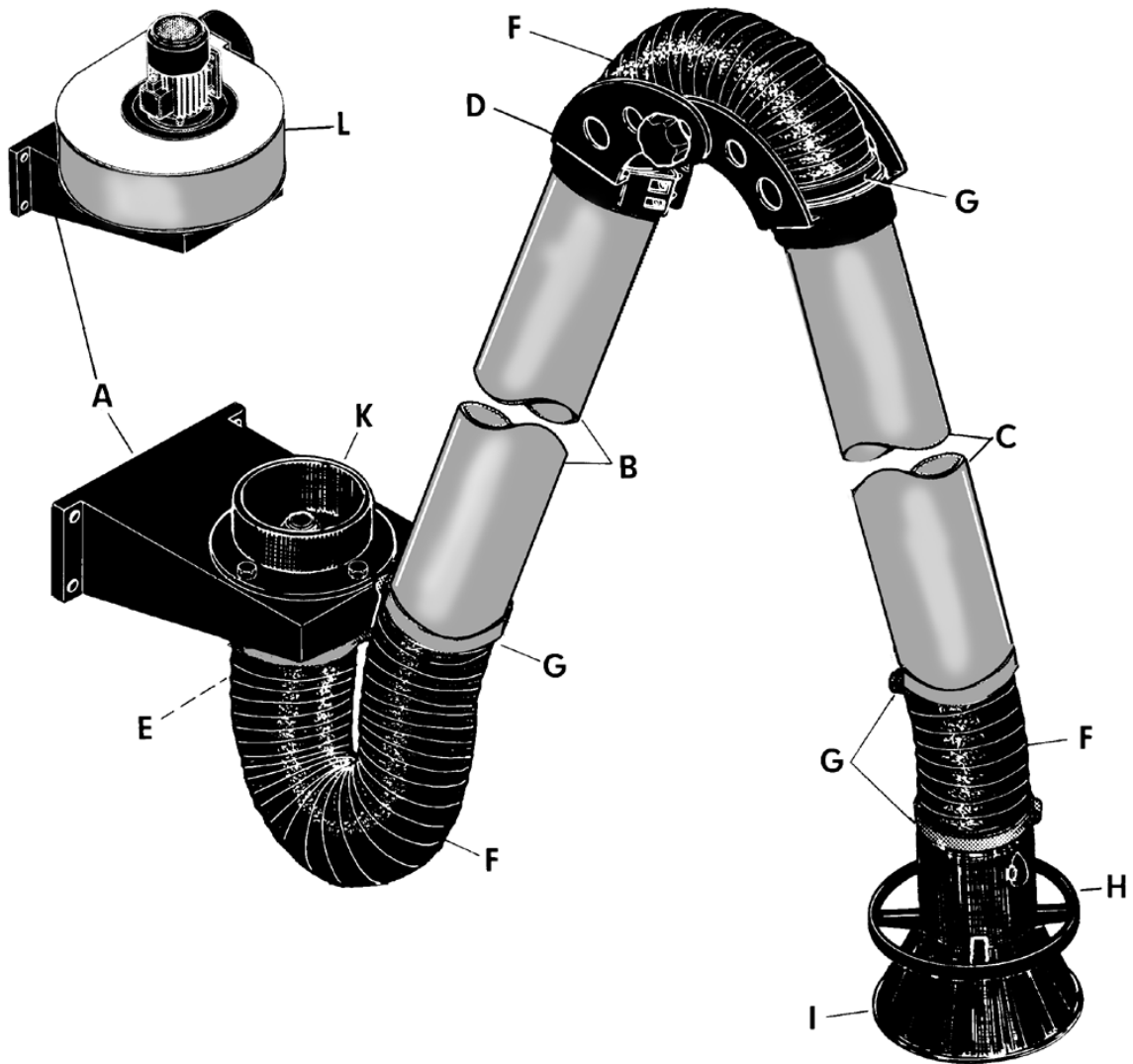
1. Maak de slang los bij punt C.
2. Stel de frictie in (zie tekening) tot de zuigmond in de ingestelde stand blijft staan.



MONTAGEANLEITUNG

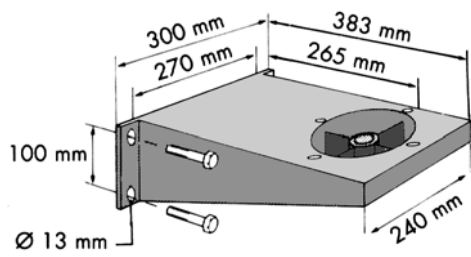
KUGELGELAGERTER ABSAUGARM

KUA-2, -3, -4

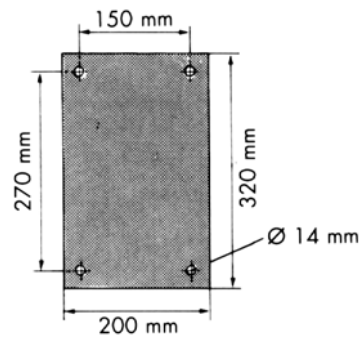


Pos. Nr.	BESCHREIBUNG	Pos. Nr.	BESCHREIBUNG
A	Wandbefestigung	G	Schlauchschelle
B	Innerer Arm	H	Trichterbefestigung
C	Äußerer Arm	I	Trichter
D	Gelenk	K	Rohrstutzen
E	Dichtungsring	L	Ventilator
F	Schlauch		

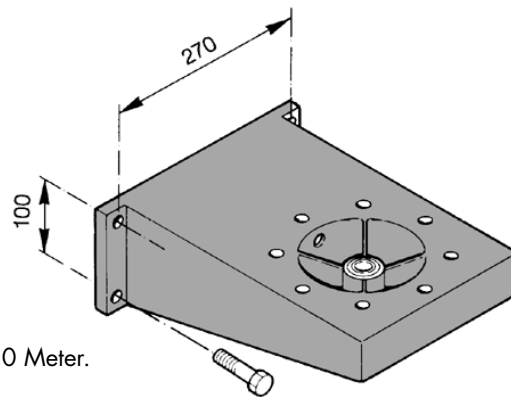
Wandbefestigung KUA



Befestigungssäule PA-110 und PA-220

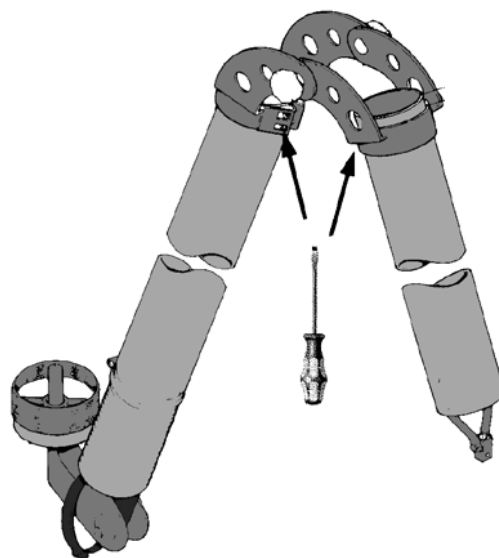


1. Wandbefestigung an der Wand (bzw. Stütze) festschrauben



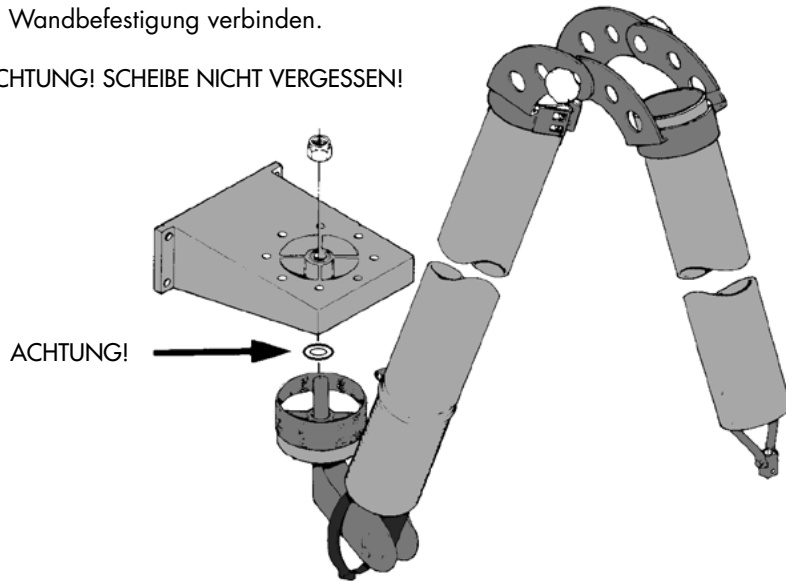
Montagehöhe über Fußboden 2,0 –3,0 Meter.

2. Inneren Arm, Gelenk und äußeren Arm verbinden und Dichtungsring montieren.

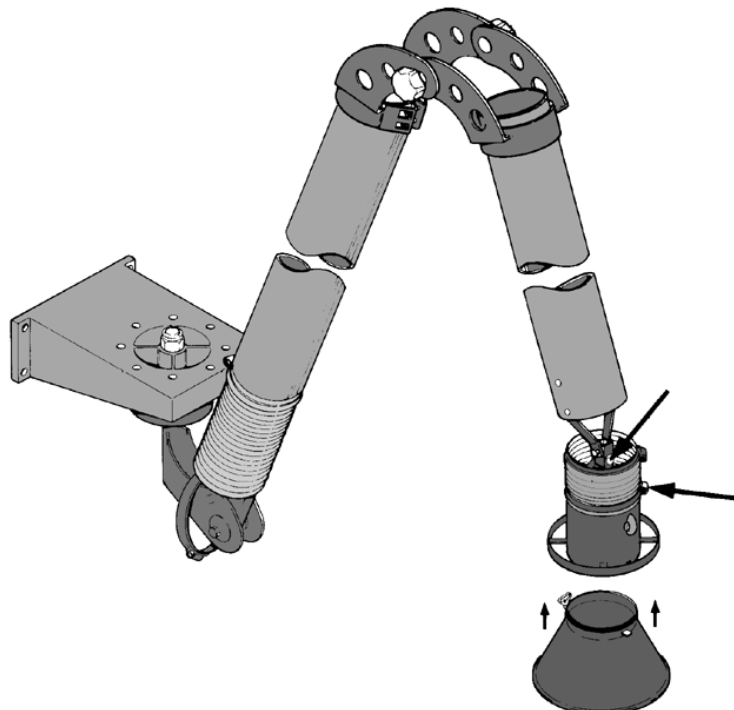


- 3.** Den inneren Arm mit der Wandbefestigung verbinden.

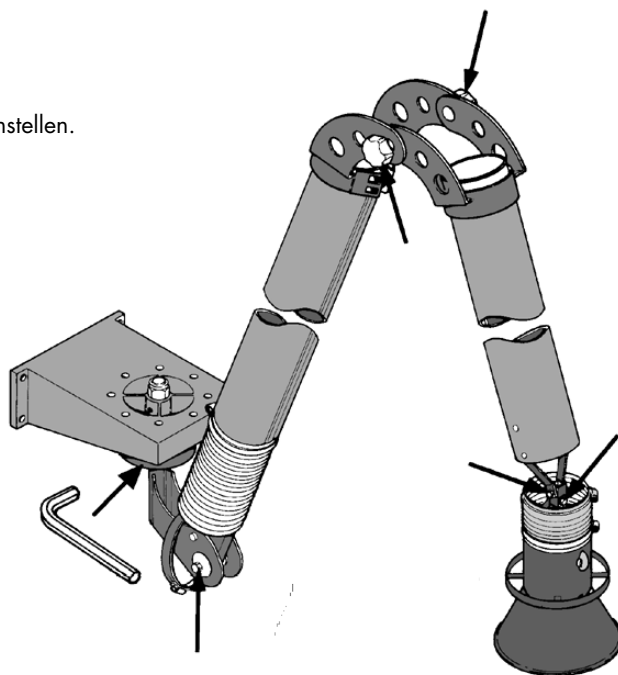
ACHTUNG! SCHEIBE NICHT VERGESSEN!



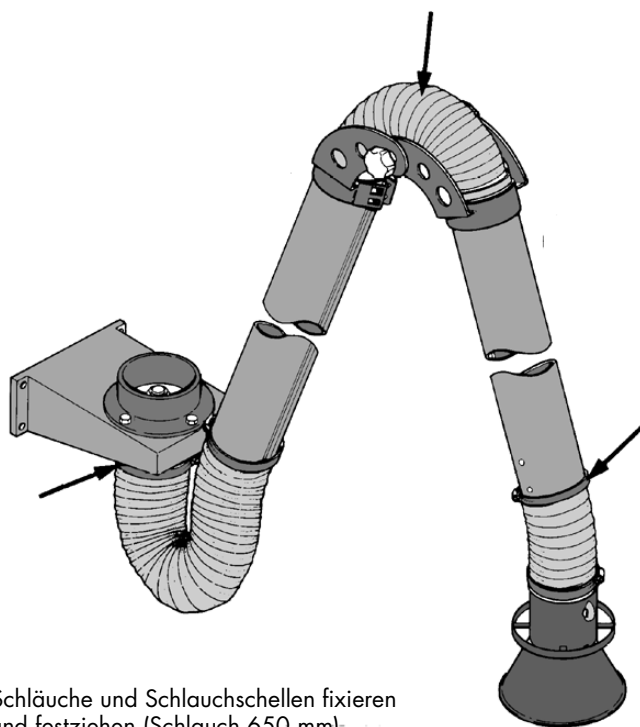
- 4.** Schlauch, Schlauchschellen, Trichterbefestigung und Trichter an dem äußeren Arm montieren (Schlauch 400 mm).



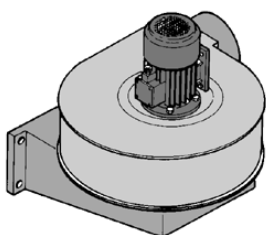
5. Sämtliche Gelenke einstellen.



6. Schläuche und Schlauchschellen fixieren und festziehen (Schlauch 650 mm).

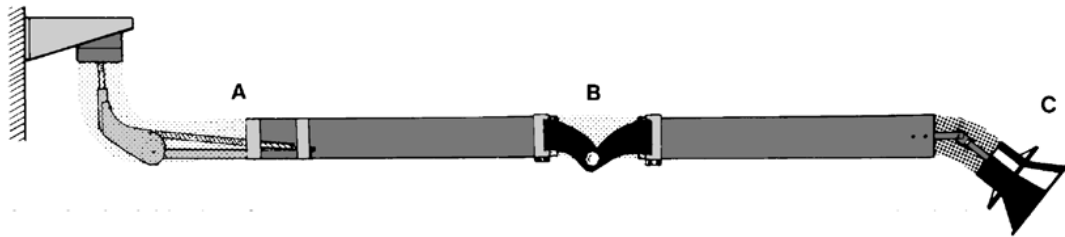


7. Rohrstützen oder Ventilator an der Wandbefestigung montieren.



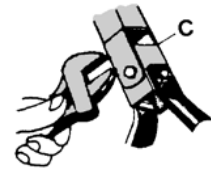
WARTUNGSANLEITUNG

KUA



A. Wenn der Arm nicht in gewünschter Position stehen bleibt:

1. Lösen Sie den Schlauch bei A.
2. Ziehen Sie das Absauggerät waagrecht zur vollen Länge aus und stellen dann das Gelenk nach, bis daß der Arm sich langsam senkt. Nun die Bremse leicht nachziehen.
3. Wenn der Arm nach einer seitlichen Bewegung nicht exakt in der gewünschten Position stehen bleibt, muß die Friktionsbremse an der Wandbefestigung nachgezogen werden. Imbus-Schlüssel verwenden.



B. Wenn der äußere Arm nicht in der gewünschten Position stehen bleibt:

1. Den äußeren Arm in waagrechte Lage bringen und dann so lange nachstellen, bis der Arm sich langsam senkt. Anschließend die Friktionsbremse leicht nachstellen.

C. Wenn der Trichter nicht in der gewünschten Position stehen bleibt:

1. Lösen Sie den Schlauch bei C.
2. Stellen Sie die Friktion (s. Abbildung) nach, bis der Trichter exakt in der gewünschten Position stehen bleibt.

TECHNISCHE BESCHREIBUNG

Kugelgelagerter Absaugarm - Stehend

© Copyright 2008: Alle Rechte, insbesondere das Recht der Vervielfältigung sowie der Übersetzung, vorbehalten. Kein Teil des Werkes darf in irgendeiner Form (Fotokopie, Mikrofilm oder anderes Verfahren) ohne schriftliche Genehmigung der PlymoVent reproduziert oder unter Verwendung elektronischer Systeme verarbeitet, vervielfältigt oder verbreitet werden. Konstruktionsänderungen vorbehalten.

KUA – Stehend

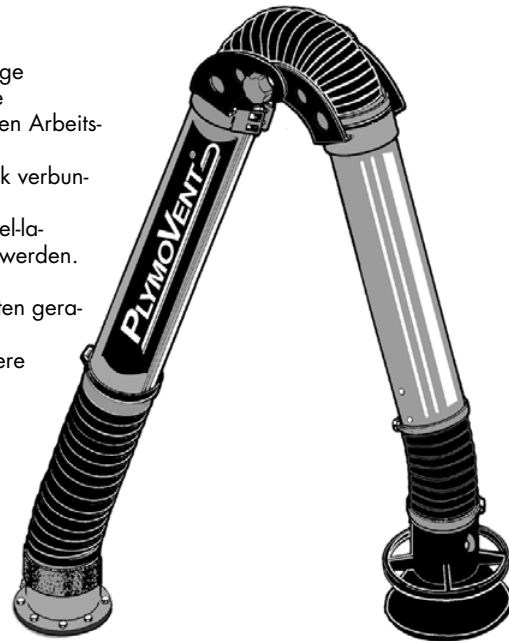
PlymoVent's kugelgelagerter Absaugarm KUA-S ist eine besonders leichtgängige und flexible Punktabsaugung für Schweiß- und Löt Rauch, Ölnebel, Staub sowie Lösungsmittel, Dämpfe u.ä. Eine hervorragende Lösung bei kleinen und mittleren Arbeitsplätzen. Ideal zum Anschluß direkt an Filter mit stehender Montage. Innerer und äußerer Arm sind mit einem patentierten, außenliegenden Zwischengelenk verbunden. Dieses außenliegende "Kniegelenk" ermöglicht eine einfache und schnelle Justierung ohne Werkzeug. Durch die doppelten, federentlasteten Kugelgelenke kann das Gerät stufenlos an jeder gewünschten Stelle positioniert werden. Mit einem Arbeitsradius von 360° und einer Beweglichkeit, die über die eigene Montagehöhe hinaus geht, ist der KUA für viele Einsatzmöglichkeiten geradezu ideal. Der innere sowie der äußere Arm bestehen aus einem glatten Leichtmetallrohr, wodurch eine größere Stabilität gewährleistet ist und effektivere Strömungsverhältnisse erzielt werden – auch bei hoher Luftleistung.

Lieferumfang

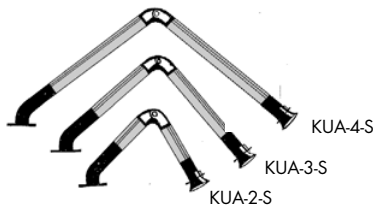
Der Arm wird komplett mit Anschlußflansch geliefert.

Vorteile

- Hohe Beweglichkeit durch federentlastete Kugelgelenke.
- Enorme Stabilität des äußeren und inneren Armes durch Aluminiumrohre.
- Einfache Justierung durch außenliegende Zwischengelenke.
- Bequeme Trichter-Einstellung durch den praktischen Handgriff.
- Standardsäulen für Wand- Boden- oder Deckenmontage ermöglichen viele Montagealternativen und Reichweiten bis zu 6 m.
- Die robuste Konstruktion verspricht eine lange Lebensdauer.



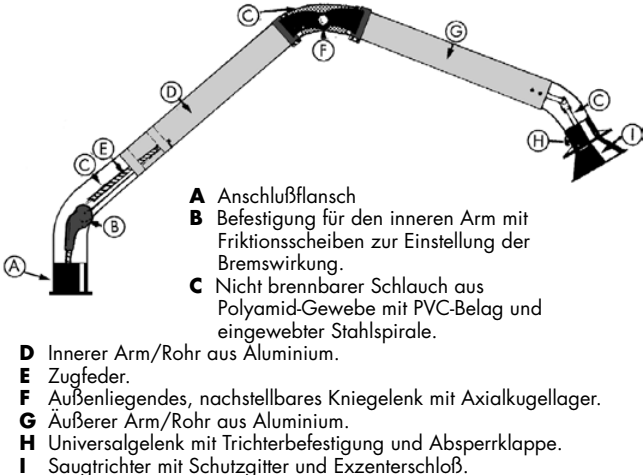
Technische Daten



Stehend mit Flanschanschluss. 2m, 3m oder 4m Reichweite. Inkl. Flansch.

Prod.-Nr.	Max. Reichweite Meter	Schlauchdurchmesser mm	Empf. Luftmenge m ³ /h
KUA-2-S	2,0	160	800 – 1200
KUA-3-S	3,0	160	800 – 1200
KUA-4-S	4,0	160	800 – 1200

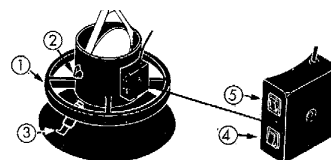
Aufbau und Funktion



Trichterbeschreibung

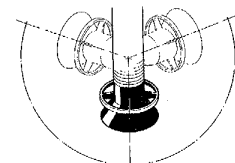
1. Rundumlaufender Greifring (300 mm Ø zur bequemen Positionierung des Trichters).
2. Regler für Drosselklappe.
3. Exzentrerschloß zur Demontage des Trichters.

4. Schalter für Beleuchtung HL-20/24 (s. Zubehör).
5. Schaltgehäuse für manuellen START/STOP von Ventilator oder Absperrklappe (SA-24, ES-90 oder ASE-12 s. Zubehör).



Trichterfunktion

Der Trichter aus pulverbeschichtetem Stahlrohr ist in alle Richtungen um 110° drehbar.

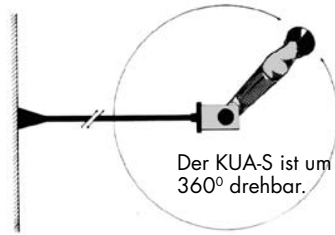
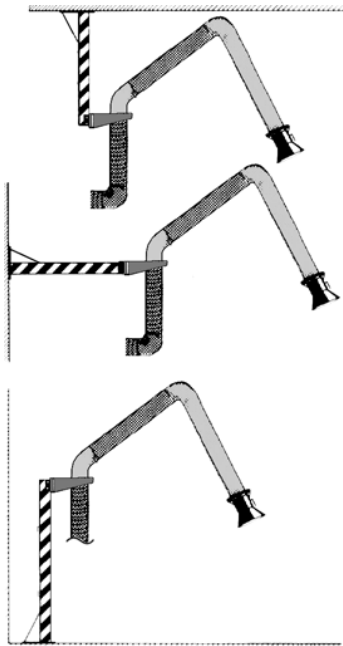


ACHTUNG! DER TRICHTER IST IN ALLE RICHTUNGEN UM 110° DREHBAR. TRICHTERÖFFNUNG Ø 300 MM.

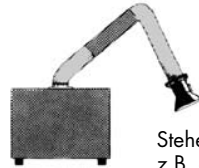
KUA-S/TY/2/9

Montagebeispiele KUA-S

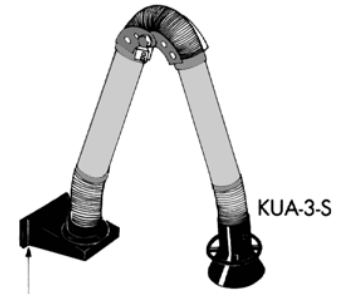
KUA-S mit Befestigungssäule PA-110 alt. PA-220



Der KUA-S ist um 360° drehbar.



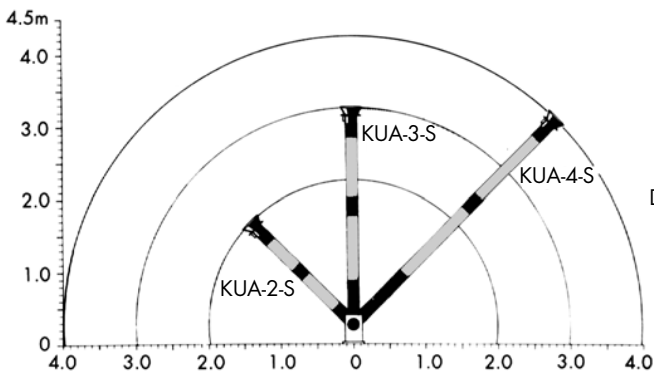
Stehende Montage, z.B. an einem Filterschrank.



1 m

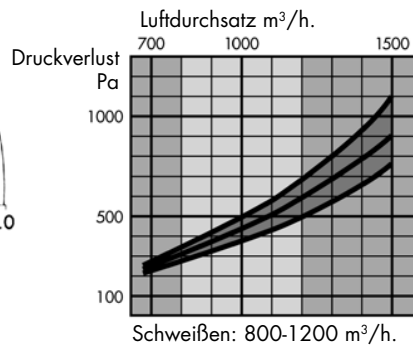
Das stehende Modell KUA-S kann vorteilhaft in geringerer Höhe montiert werden, ohne daß das Bewegungsmoment gestört wird. Wenn KUA-S an eine Wand anmontiert werden soll, muss eine Wandhalterung KUA-X-03 extra mitbestellt werden.

Maximale Reichweite von KUA -2 -3 -4 -S



Druckverlust

Nachstehendes Druckverlust-Diagramm zeigt den durchschnittlichen Druckverlust im KUA-S-Arm. Der Druckverlust kann innerhalb des schraffierten Bereiches schwanken.

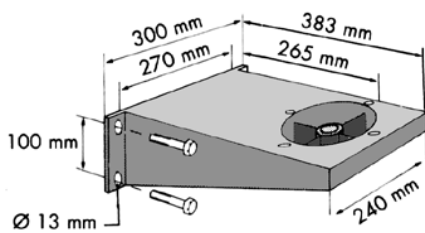


Folgende Faktoren bestimmen den Druckverlust:

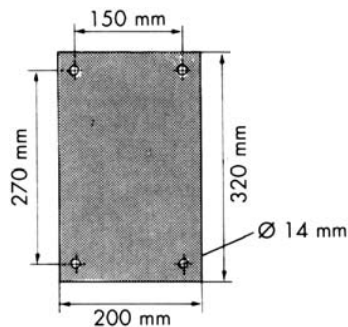
1. Größe des KUA-S: 2, 3 oder 4 m.
2. Luftmenge.
3. Die Anzahl Bogen am Arm und deren Winkel bei der jeweiligen Armposition.

Schweißen: 800-1200 m³/h.

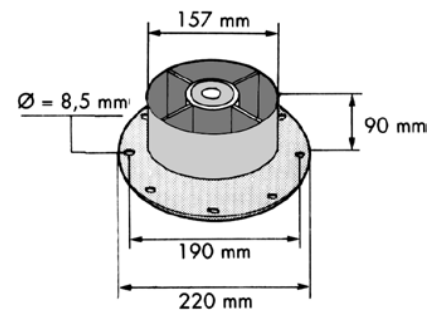
Wandbefestigung KUA-X-03



Befestigungssäule PA-110, 220



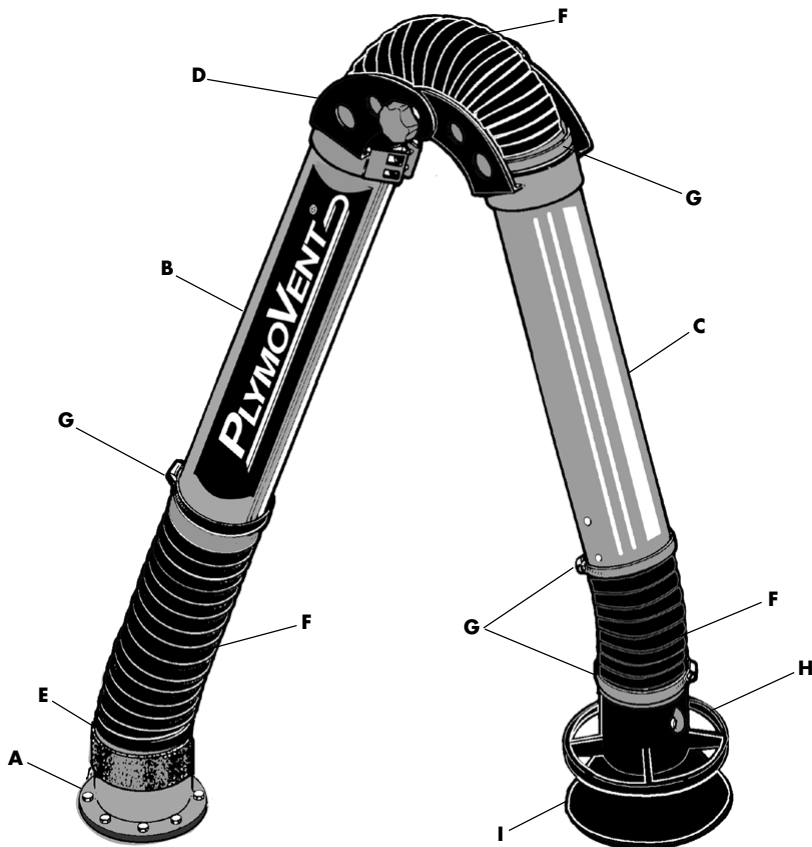
Kugelgelagerter Flansch KUA-S



MONTAGE ANLEITUNG

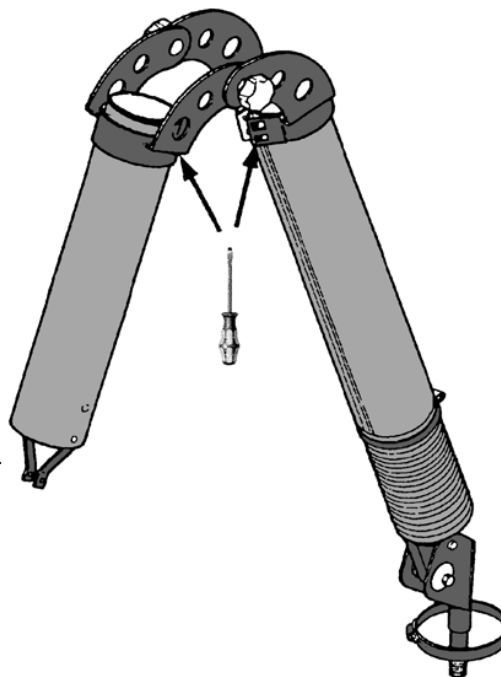
KUA-2, -3, -4-S

© Copyright 2008: Alle Rechte, insbesondere das Recht der Vervielfältigung sowie der Übersetzung, vorbehalten. Kein Teil des Werkes darf in irgendeiner Form (Fotokopie, Mikrofilm oder anderes Verfahren) ohne schriftliche Genehmigung der PlymoVent reproduziert oder unter Verwendung elektronischer Systeme verarbeitet, vervielfältigt oder verbreitet werden. Konstruktionsänderungen vorbehalten.

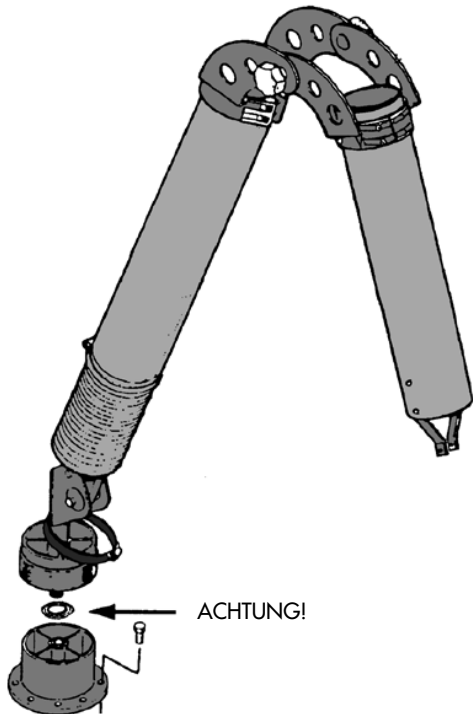


Pos. Nr.	BESCHREIBUNG
A	Anschlußflansch
B	Innenarm
C	Außenarm
D	Gelenk
E	Dichtungsring
F	Schlauch
G	Schlauchselle
H	Trichterbefestigung
I	Trichter

Montageanleitung

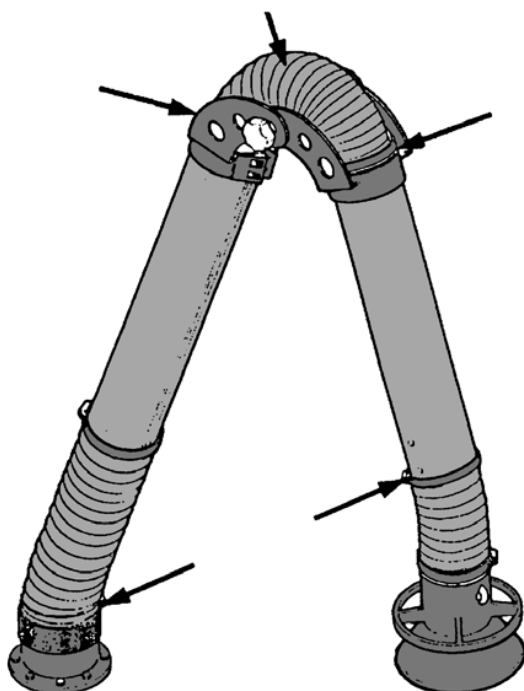
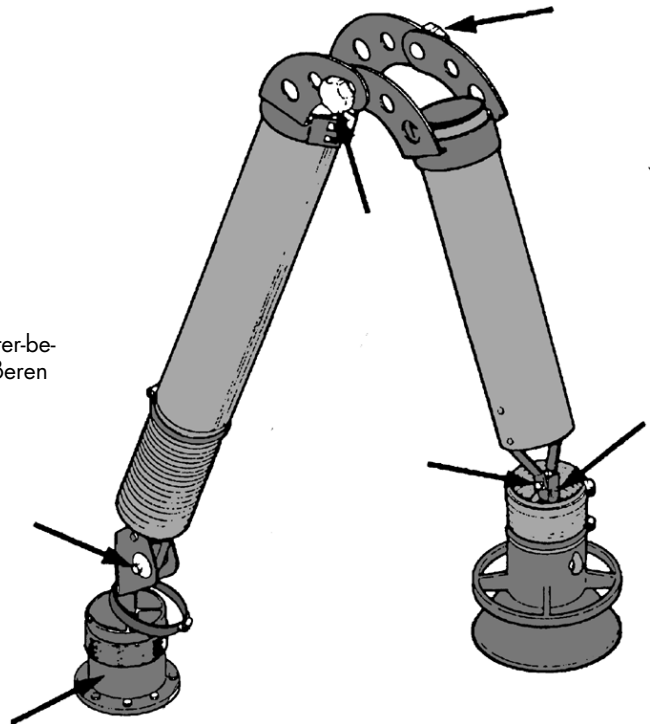


1. Innenarm, Gelenk und Außenarm verbinden.



- 2.** Den Flansch auf das Filter und den Dichtungsring an den Innenarm montieren. Den Innenarm und den Filter zusammenmontieren.
ACHTUNG: DIE SCHEIBE MUß ZWISCHEN FLANSCH UND ARM ANGEBRACHT WERDEN.

- 3.** Schlauch, Schlauchschellen, Trichterbefestigung und Trichter an dem äußeren Arm montieren (Schlauch 400 mm).



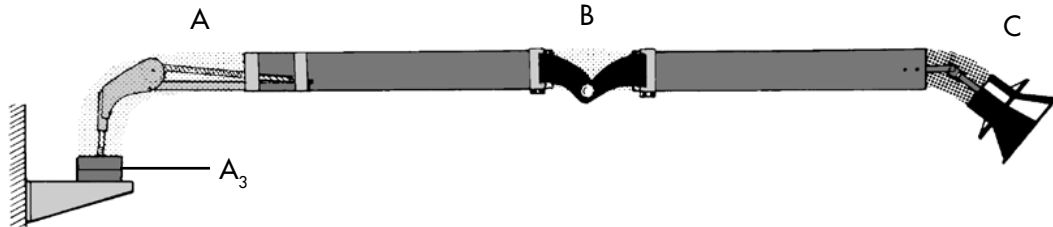
- 4.** Sämtliche Gelenke einstellen.

- 5.** Schläuche und Schlauchschellen fixieren und festziehen (Schlauch 650 mm).

WARTUNGSANLEITUNG

KUA-S

© Copyright 2008: Alle Rechte, insbesondere das Recht der Vervielfältigung sowie der Übersetzung, vorbehalten. Kein Teil des Werkes darf in irgendeiner Form (Fotokopie, Mikrofilm oder anderes Verfahren) ohne schriftliche Genehmigung der PlymoVent reproduziert oder unter Verwendung elektronischer Systeme verarbeitet, vervielfältigt oder verbreitet werden. Konstruktionsänderungen vorbehalten.



A. Wenn der Arm nicht in gewünschter Position stehen bleibt:

1. Lösen Sie den Schlauch bei A.
2. Ziehen Sie das Absauggerät waagrecht zur vollen Länge aus und stellen dann das Gelenk nach, bis daß der Arm sich langsam senkt. Nun die Bremse leicht nachziehen.
3. Wenn der Arm nach einer seitlichen Bewegung nicht exakt in der gewünschten Position stehen bleibt, muß die Friktionsbremse, die sich im Anschlußflansch befindet nachgezogen werden. Imbus-Schlüssel verwenden.



B. Wenn der äußere Arm nicht in der gewünschten Position stehen bleibt:

1. Den äußeren Arm in waagerechte Lage bringen und dann so lange nachstellen, bis der Arm sich langsam senkt. Anschließend die Friktionsbremse leicht nachstellen.

C. Wenn der Trichter nicht in der gewünschten Position stehen bleibt:

1. Lösen Sie den Schlauch bei C.
2. Stellen Sie die Friktion (s. Abbildung) nach, bis der Trichter exakt in der gewünschten Position stehen bleibt.

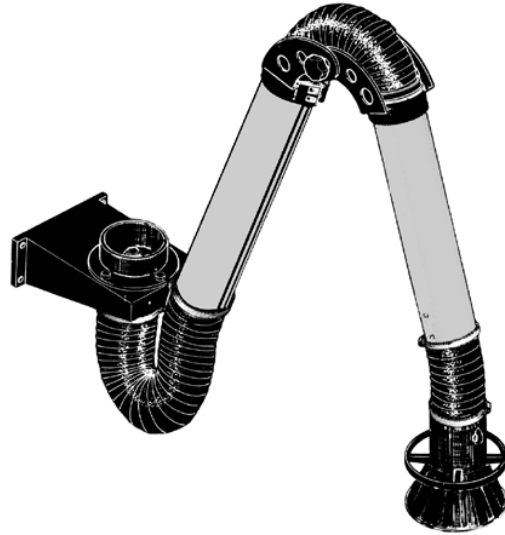
TECHNISCHE BESCHREIBUNG

Kugellagerter Absaugarm KUA-ATEX

© Copyright 2006: Alle Rechte, insbesondere das Recht der Vervielfältigung sowie der Übersetzung, vorbehalten. Kein Teil des Werkes darf in irgendeiner Form (Fotokopie, Mikrofilm oder anderes Verfahren) ohne schriftliche Genehmigung der PlymoVent reproduziert oder unter Verwendung elektronischer Systeme verarbeitet, vervielfältigt oder verbreitet werden. Konstruktionsänderungen vorbehalten.

KUA-ATEX

Der PlymoVent KUA-Absaugarm ATEX ist ein besonders flexibler und effizienter Absaugarm für den Einsatz in explosionsgefährdeten Bereichen. Eine hervorragende Lösung bei kleineren und mittleren Arbeitsplätzen. Innerer und äußerer Arm sind mit einem außenliegenden Zwischengelenk verbunden, für welches eine Patentanmeldung vorliegt. Dieses außenliegende „Kniegelenk“ ermöglicht eine einfache und schnelle Justierung ohne Werkzeug. Durch die doppelten, federentlasteten Kugellagergelenke kann der Arm stufenlos an jeder gewünschten Stelle positioniert werden. Mit einem Arbeitsradius von 360° und einer Beweglichkeit, die über die eigene Montagehöhe hinausgeht, ist der KUA für viele Einsatzbereiche geradezu ideal. Das äußere und innere Rohr sind aus leichtem und glattem Aluminium gefertigt. Dadurch gewinnt der Arm nicht nur an Robustheit, sondern auch das Gesamtgewicht und der Lärmpegel verringern sich - sogar bei hohen Volumenströmen.



Lieferung

Der Arm wird komplett montiert ausgeliefert.

Einsatzbereiche

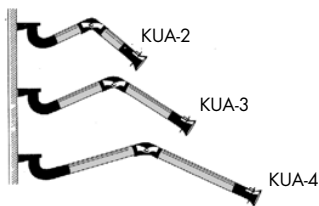
Das Produkt ist für die Verwendung in Bereichen wo explosionsgefährliche Luftmischungen (Gas, Nebel, Staub) vorkommen können, konzipiert.

Der Arm darf nur bei einem max. Arbeitsradius von 360° eingesetzt werden.

WARNUNG!

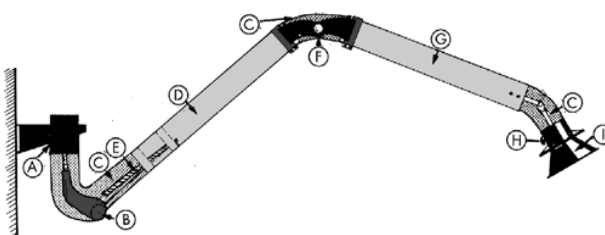
Das Produkt darf nicht bei Stäuben mit einer Mindestzündenergie < 5 mJ verwendet werden.

Technische Daten



Länge:		Gewicht	Volumenstrom
KUA-2-ATEX	2m	20 Kg	800-1.200 m³/h
KUA-3-ATEX	3m	23,5 Kg	800-1.200 m³/h
KUA-4-ATEX	4m	25 Kg	800-1.200 m³/h
Durchmesser Rohre/Schläuche	160 mm		
Gerätegruppe	II		
Geräteklasse	2		
Zone, Gase/Lösemittel	1		
Zone, Staub	21		
Verwendungstemperatur	Max. 90°C		

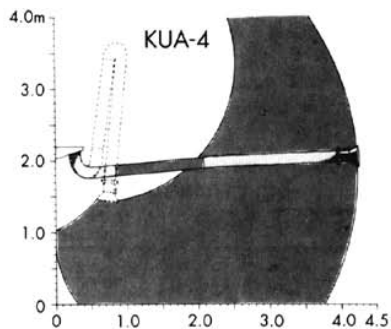
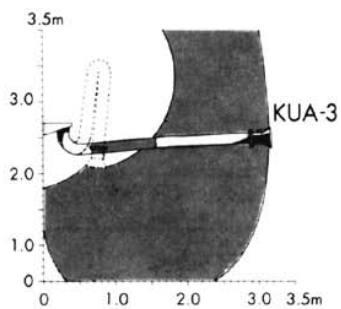
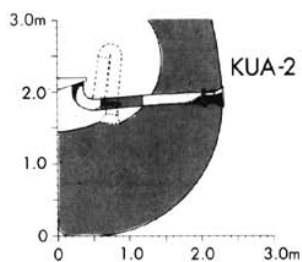
Aufbau und Funktion



- Wandhalterung kompl. mit Stützen NW 160
- Aufhängung für inneren Arm mit einstellbarem Reibgelenk
- Feuerhemmender PU-Schlauch mit innenliegender Stahlspirale
- Inneres Rohr aus Aluminium
- Zugfeder
- Außenliegendes, einstellbares Kniegelenk (Patentanmeldung liegt vor)
- Äußeres Rohr aus Aluminium
- Universalgelenk mit Trichterbefestigung und Absperrklappe
- Haube aus beschichtetem Blech, inklusive Schutzgitter und Schnellspanverschluss. Saugöffnung Durchm. 300 mm. 360° Griffing Durchm. 300 mm

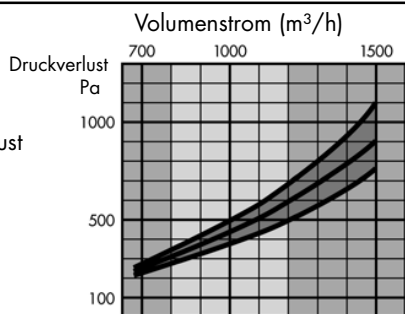
KUA/DE/2/8

Arbeitsradius KUA-2-3-4



Druckverlust

Die nachstehenden Druckverlustdiagramme zeigen den durchschnittlichen Druckverlust im KUA-Arm. Der Druckverlust kann im schraffierten Bereich variieren.

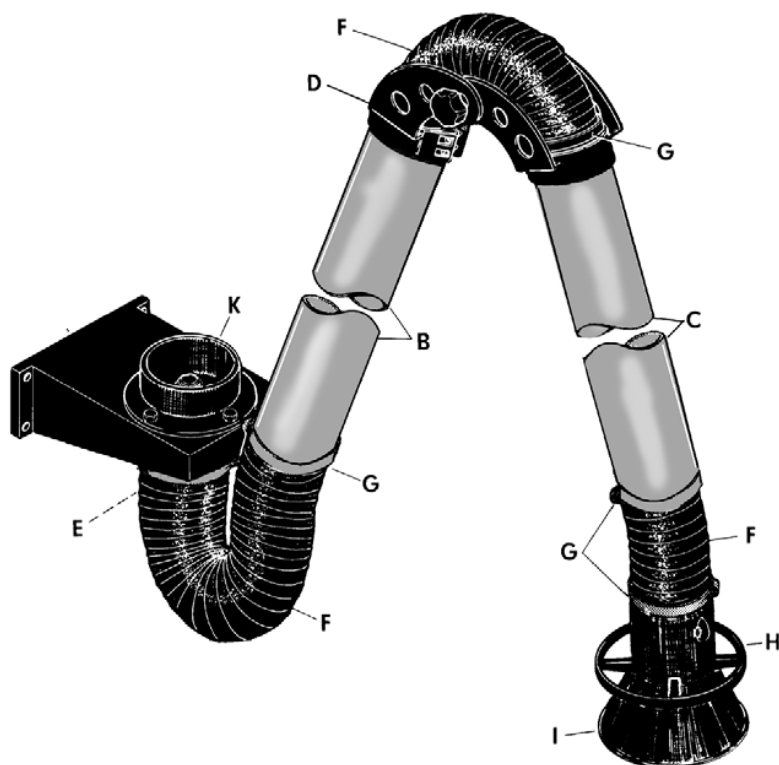


Folgende Faktoren beeinflussen den Druckverlust im KUA-Arm:

1. Die Länge des Armes: 2, 3 oder 4m.
2. Der durch den Arm geförderte Volumenstrom
3. Die Anzahl Bögen im Arm und deren Winkel.

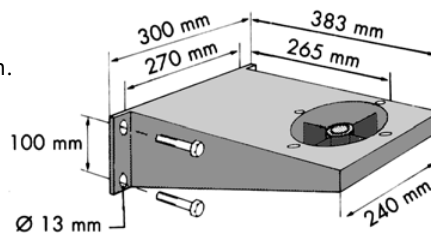
MONTAGEANLEITUNG

Pos. Nr.	BESCHREIBUNG
A	Wandhalterung
B	Innerer Arm
C	Äußerer Arm
D	Kniegelenk
E	Gummimanschette
F	Schlauch
G	Schlauchscheiden
H	Trichterbefestigung
I	Saugtrichter / Haube
K	Rohrstutzen

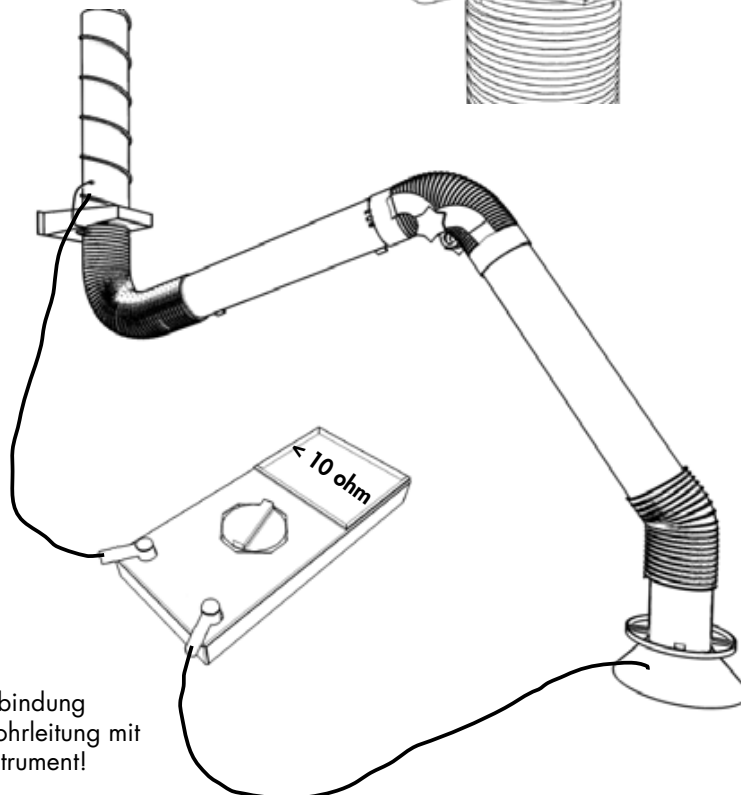
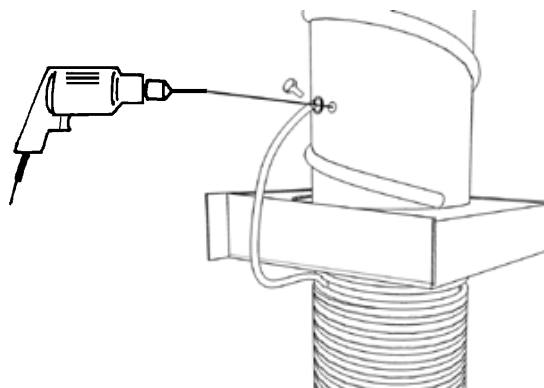
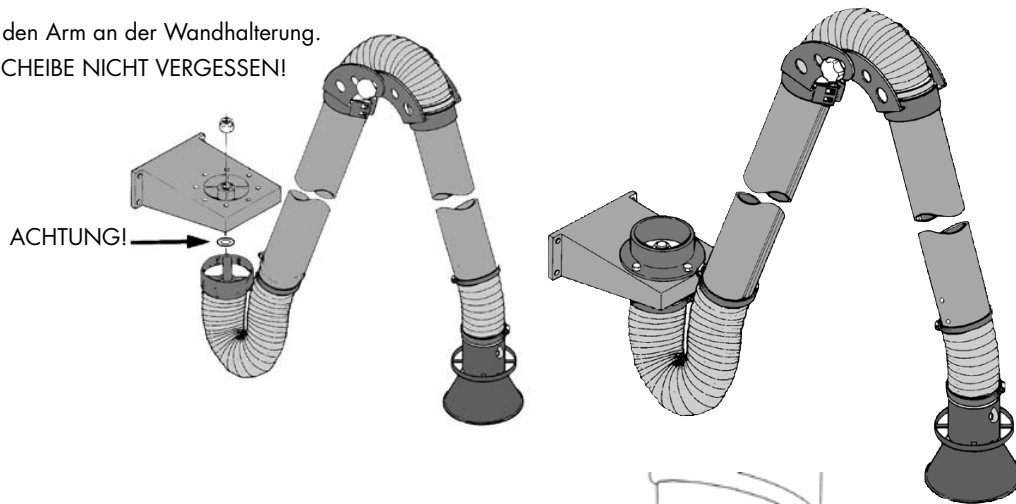


MONTAGEANLEITUNG

1. Montieren Sie die Wandhalterung an der Wand
Empfohlene Montagehöhe: 2,0 - 2,3 m über Fußboden.



Befestigen sie den Arm an der Wandhalterung.
ACHTUNG! SCHEIBE NICHT VERGESSEN!

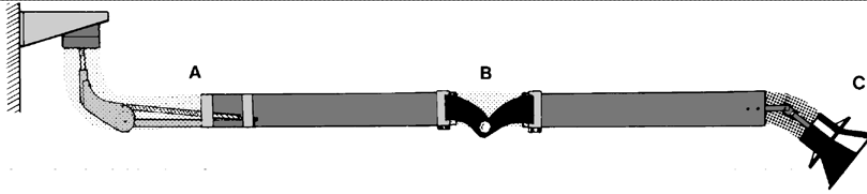


Überprüfen Sie die Erdungsverbindung
zwischen Absaughaube und Rohrleitung mit
einem entsprechenden Messinstrument!

WARTUNGSANLEITUNG

KUA-ATEX
Kugelgelagerter Absaugarm

© Copyright 2008. Alle Rechte, insbesondere das Recht der Vervielfältigung sowie der Übersetzung, vorbehalten. Kein Teil des Werkes darf in irgendeiner Form (Fotokopie, Mikrofilm oder anderes Verfahren) ohne schriftliche Genehmigung der PlymoVent reproduziert oder unter Verwendung elektronischer Systeme verarbeitet, vervielfältigt oder verbreitet werden. Konstruktionstraditionen vorbehalten.



A. Der innere Arm bleibt nicht in der gewünschten Position:

1. Lösen Sie den Schlauch bei A.
2. Ziehen Sie den Arm waagrecht zur vollen Länge aus und stellen Sie dann das Gelenk nach, bis der Arm sich langsam senkt. Nun die Bremse leicht nachziehen.
3. Wenn der Arm nach einer seitlichen Bewegung nicht exakt in der gewünschten Position stehen bleibt, muss die Friktionsbremse an der Wandhalterung nachgezogen werden. Imbus-Schlüssel verwenden.



B. Der äußere Arm bleibt nicht in der gewünschten Position:

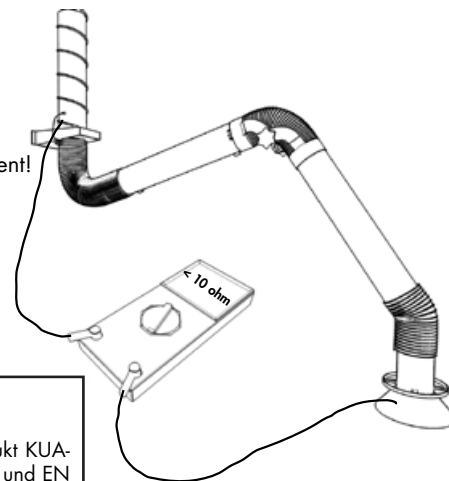
1. Den äußeren Arm in waagerechte Lage bringen und dann so lange nachstellen, bis der Arm sich langsam senkt. Anschließend die Friktionsbremse leicht nachziehen.

C. Die Haube bleibt nicht in der gewünschten Position:

1. Lösen Sie den Schlauch bei C.
2. Justieren Sie die Reibung (siehe Abbildung) bis die Haube in der gewünschten Position bleibt.

D. Kontrolle

1. Überprüfen Sie regelmäßig die Erdungsverbindung zwischen Absaughaube und Rohrleitung mit einem entsprechenden Messinstrument!
2. Bei Austausch der Schläuche muss die Erdung überprüft werden!



Konformitätserklärung

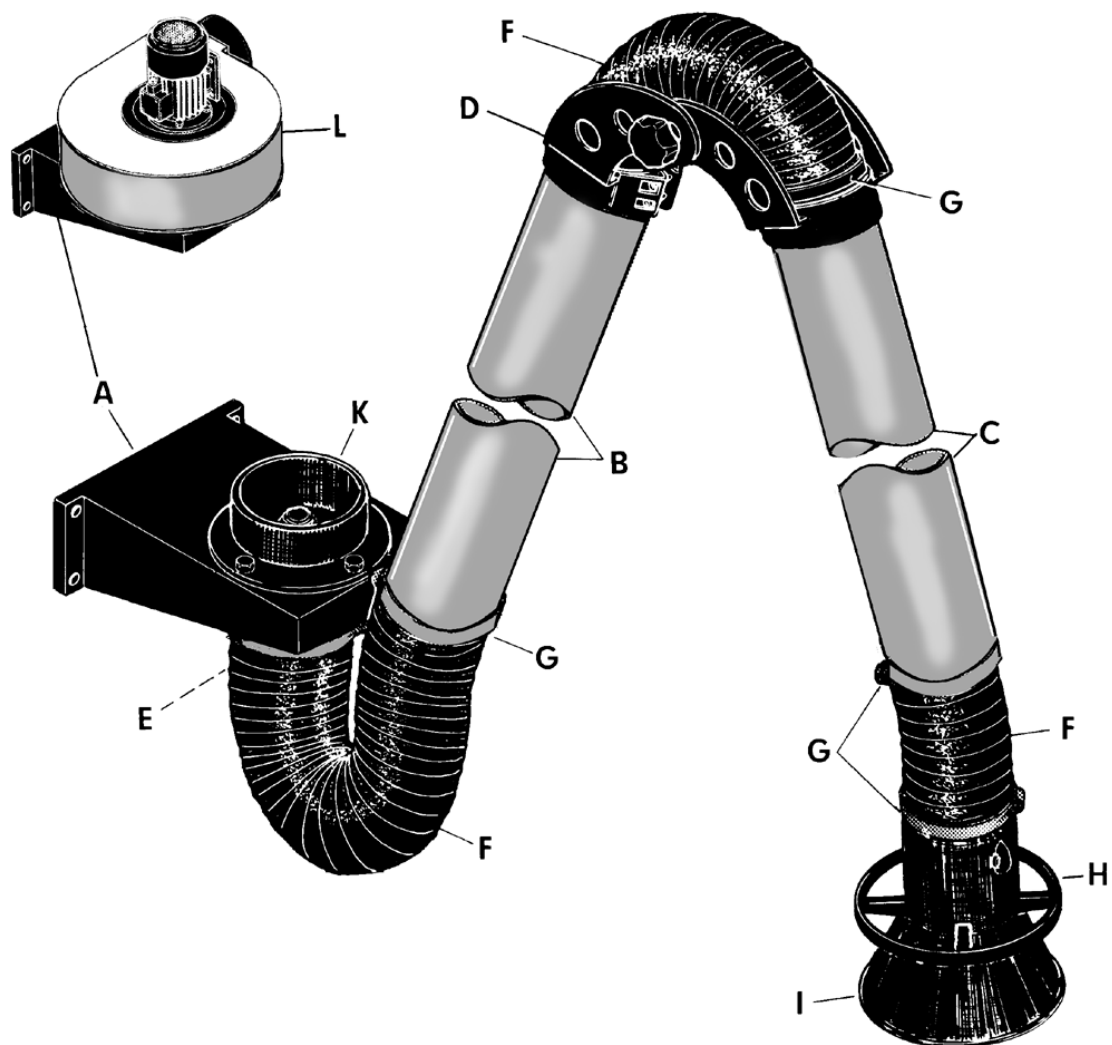
Hiermit erklären wir - PlymoVent AB - in alleiniger Verantwortung, dass das Produkt KUA-ATEX mit den folgenden Normen übereinstimmt: EN 292-1, EN 292-2, EN 50014 und EN 13463-1 entsprechend den Richtlinien 98/37/EG und ATEX 94/9/EC.

PlymoVent AB
Box 527
SE-92128 LYCKSELE

Lycksele 2004-09.08

Ove Stenberg
Product Manager

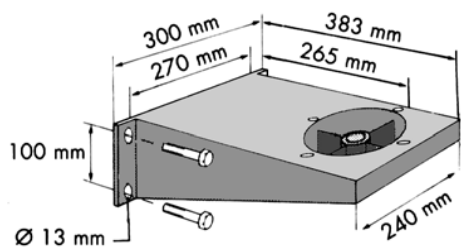
INSTRUCTIONS DE MONTAGE



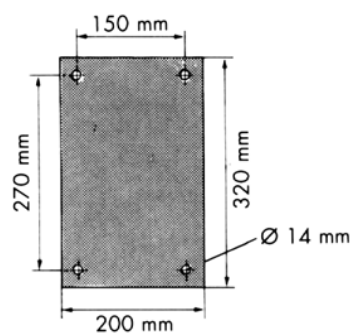
Pos. N°.	DESCRIPTION	Pos. N°.	DESCRIPTION
A	Console murale	G	Collier de serrage
B	Tuyau de bras intérieur	H	Fixation de la buse
C	Tuyau de bras extérieur	I	Buse
D	Articulation	K	Manchon de raccordement
E	Bague d'étanchéité en caoutchouc	L	Ventilateur
F	Flexible		

Instructions de montage

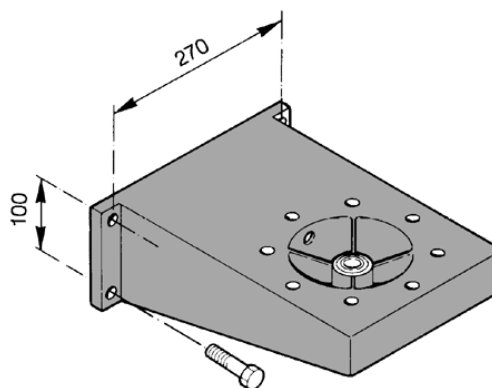
Fixation murale du KUA



Plaque de fixation PA-110, 220

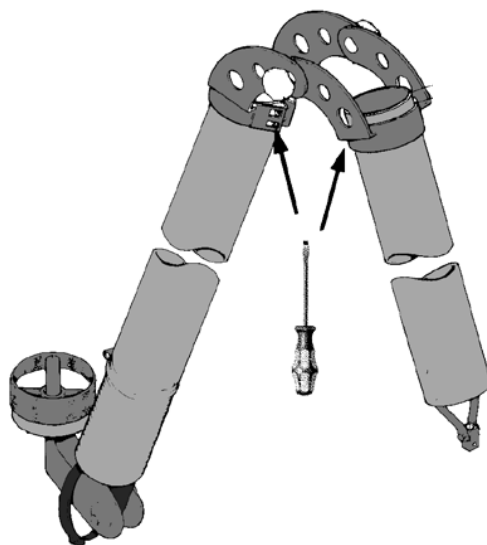


1. Fixer la console au mur.

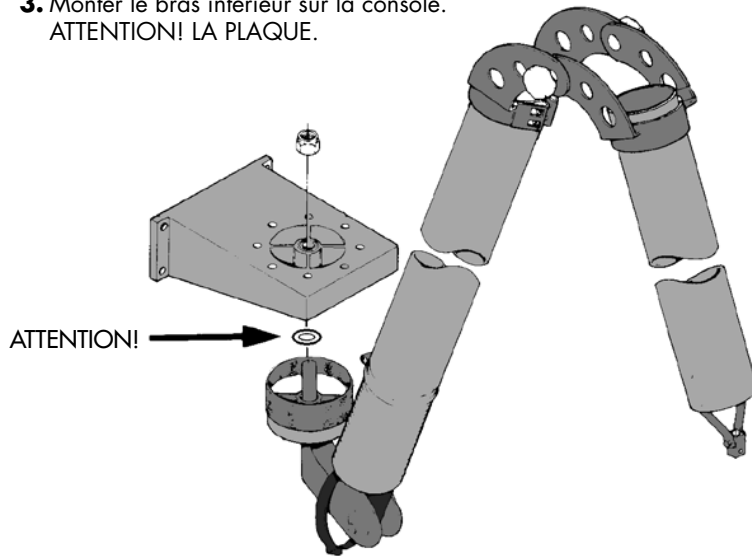


Hauteur conseillée 2,2 à 3 m du sol.

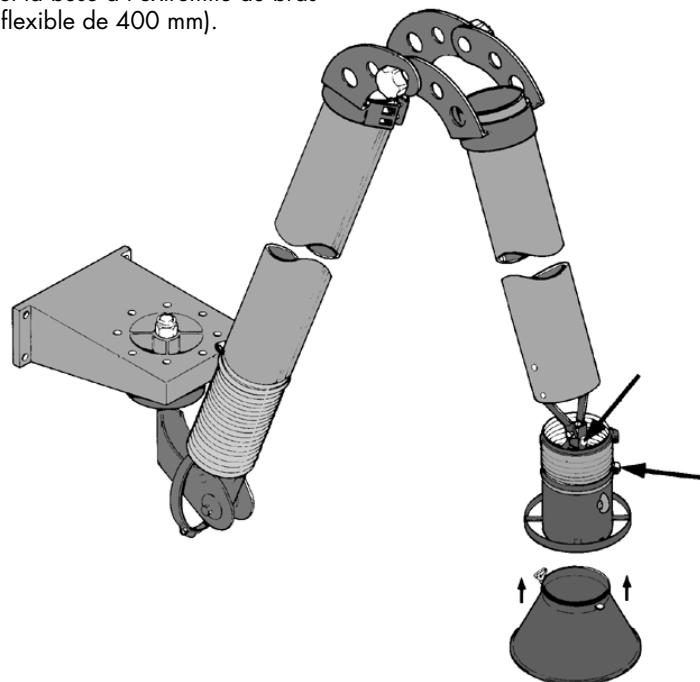
2. Relier le bras intérieur au bras extérieur grâce à l'articulation extérieure. Mettre en place la bague d'étanchéité en caoutchouc.



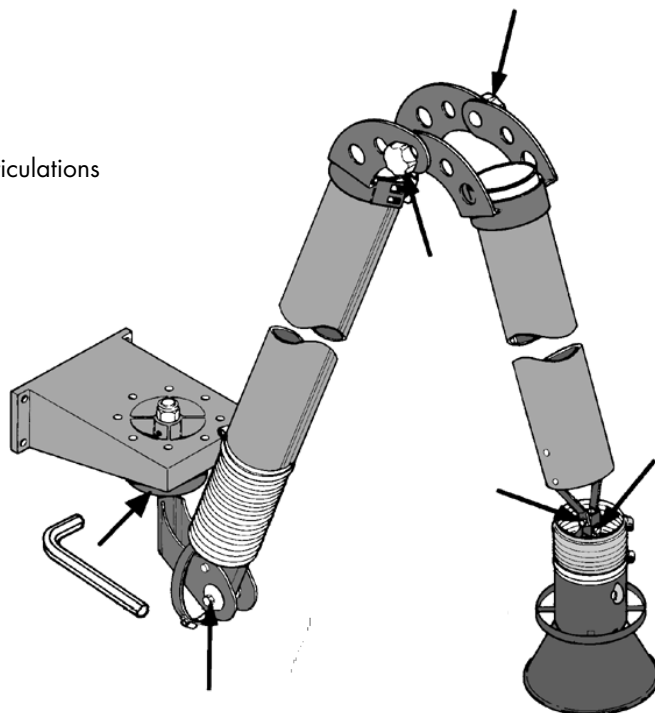
- 3.** Monter le bras intérieur sur la console.
ATTENTION! LA PLAQUE.



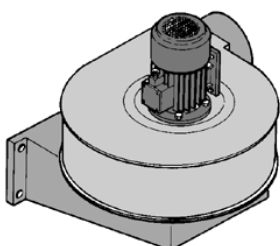
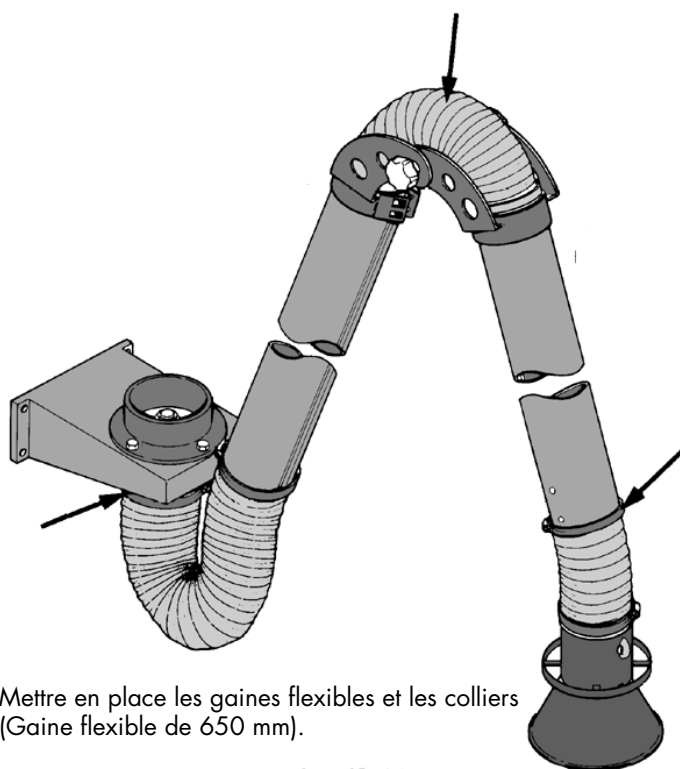
- 4.** Mettre en place la gaine flexible, les colliers, le support de buse et la buse à l'extrémité du bras extérieur (Gaine flexible de 400 mm).



5. Régler les articulations à friction.

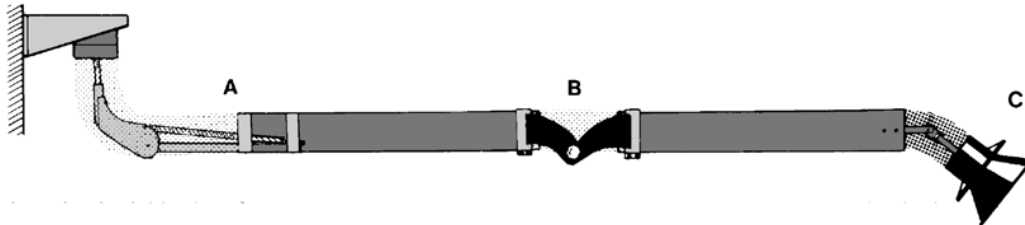


6. Mettre en place les gaines flexibles et les colliers (Gaine flexible de 650 mm).



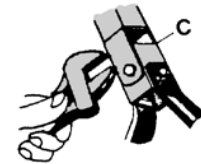
7. Monter sur la console murale le manchon de raccordement ou le ventilateur.

INSTRUCTION DE MAINTENANCE



A. Si le bras ne se maintient pas en position voulue:

1. Dégager la gaine flexible en A.
2. Etirer l'extracteur au maximum et le mettre en position horizontale. Procéder ensuite au réglage jusqu'à ce que le bras commence à s'incliner lentement. Serrer très légèrement le frein; le réglage est maintenant terminé.
3. Régler le frein de friction.



B. Si le bras extérieur ne se maintient pas en position voulue:

1. Mettre le bras extérieur à horizontale. Procéder ensuite au réglage jusqu'à ce que le bras commence à s'incliner lentement. Serrer très légèrement l'articulation; le réglage est maintenant terminé.

C. Si la buse ne se maintient pas en position voulue:

1. Dégager la gaine flexible en C.
2. Régler le niveau de friction (voir croquis) de façon à ce que la buse se maintienne en position voulue.

DESCRIPTION TECHNIQUE

Bras d'aspiration articulé sur roulements à billes - KUA

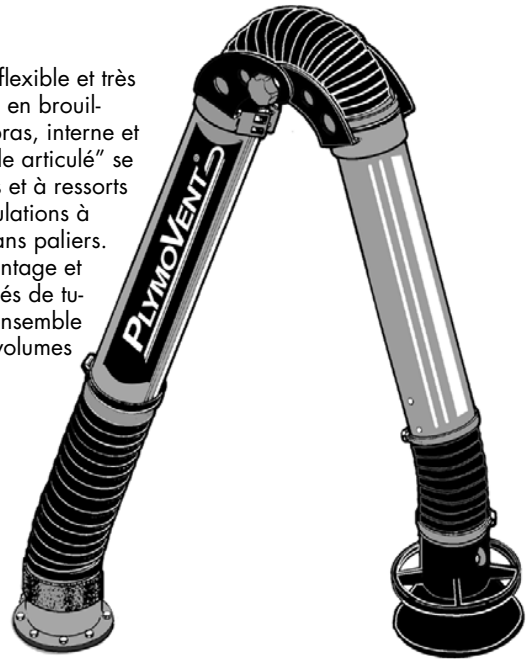
© Copyright 2008: Toutes les informations concernant cette documentation ne peuvent être reproduites, copiées, traduites dans un autre langage sans l'approbation de Plymovent AB qui se réserve tous les droits de faire des modifications. Pour de plus amples informations, veuillez contacter le service commercial de Plymovent au: Tél 05 49 51 55 88, Fax 05 49 51 59 33.

KUA - Vertical

Le bras d'aspiration articulé sur roulements à billes KUA est un extracteur très flexible et très efficace pour poussières, fumées de soudage et de brasage, particules d'huile en brouillard, vapeurs de solvants etc. Idéal pour la plupart des postes de travail. Les bras, interne et externe, sont réunis par une articulation brevetée à réglage externe. Ce "coude articulé" se règle directement sans outils particuliers. Les articulations à roulements à billes et à ressorts permettent un positionnement doux et sans paliers des KUA. Les doubles articulations à roulement à billes et à ressorts donnent aux KUA un positionnement doux et sans paliers. Les KUA atteignent des hauteurs bien supérieures à leur propre hauteur de montage et sont orientables à 360°. Les bras extérieurs et intérieurs sont tous deux constitués de tubes d'aluminium légers et lisses. Ceci implique une plus grande stabilité de l'ensemble ainsi qu'une minimisation du poids total et un faible niveau sonore, pour des volumes d'air importants.

Avantages

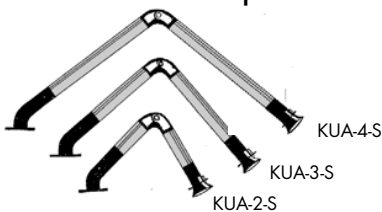
- Facile à déplacer grâce aux roulements à billes et aux puissants ressort de traction.
- Les bras extérieurs et intérieurs en tube d'aluminium améliorent la stabilité.
- L'articulation intermédiaire, externe et facilement accessible, simplifie les réglages.
- La poignée circulaire, de prise aisée, facilite le positionnement de la buse.
- Les supports standards pour les montages au plafond, au sol et au mur facilitent l'installation.
- Rayon d'action jusqu'à 6 m avec les supports de montage au mur PA-110 ou PA-220.
- Construction robuste - longue durée de vie.



Livraison

Le bras est livré complet avec la bride de montage.

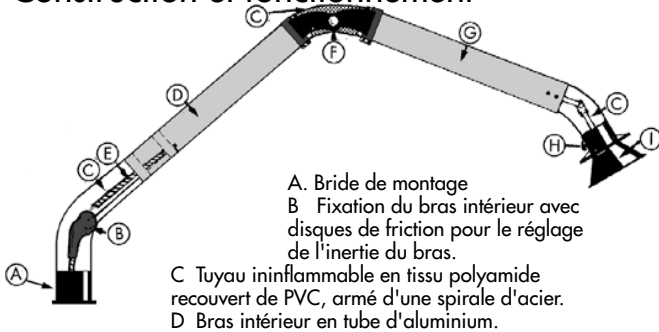
Données techniques



Raccordés aux brides pour montage vertical. 2 m, 3 m et 4 m de rayon d'action, bride incluse.

Prod. N°	Rayon d'action maximale m	Diamètre du tuyau mm	Débit d'air recommandé m³/h
KUA-2-S	2,0	160	800 - 1200
KUA-3-S	3,0	160	800 - 1200
KUA-4-S	4,0	160	800 - 1200

Construction et fonctionnement



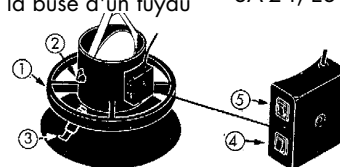
A. Bride de montage
B. Fixation du bras intérieur avec disques de friction pour le réglage de l'inertie du bras.
C. Tuyau ininflammable en tissu polyamide recouvert de PVC, armé d'une spirale d'acier.
D. Bras intérieur en tube d'aluminium.

- E. Ressort de traction.
F. Coude articulé breveté, externe et réglable.
G. Bras extérieur en tube d'aluminium.
H. Pièce de fixation de la buse avec obturateur et articulation universelle.
I. Buse d'extraction en tôle acier avec serrage excentrique, munie d'une grille. Diamètre d'ouverture de la buse Ø 300 mm. Poignée circulaire Ø 300 mm.

NOTA! LA BUSE EST ORIENTABLE À 110°.

Manoeuvre

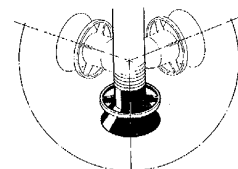
1. Poignée circulaire pour le positionnement de la buse. Accessible de tous côtés.
2. Bouton de manoeuvre de l'obturateur.
3. Serrage excentrique pour raccordement à la buse d'un tuyau de rallonge.



4. Interrupteur d'éclairage (voir accessoire HL-20/24).
5. Interrupteur de mise en marche et d'arrêt manuel du ventilateur ou de l'obturateur (voir accessoires SA-24, ES-90 ou ASE-12).

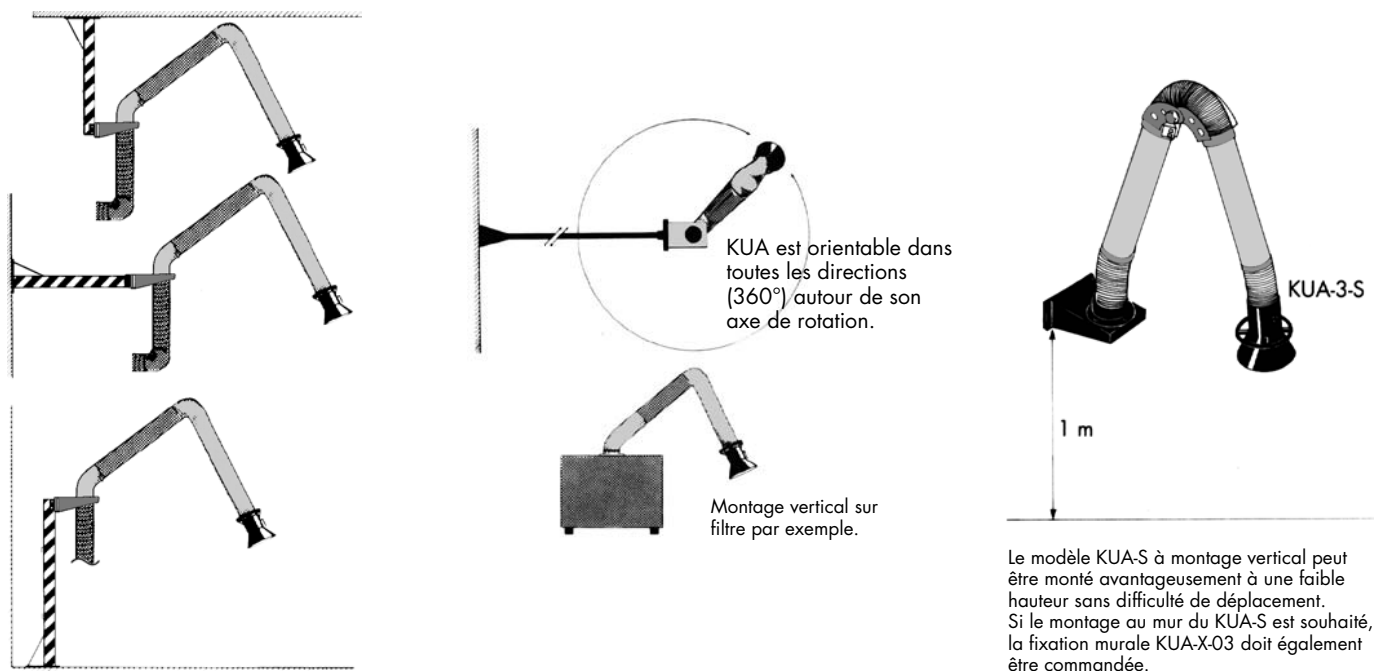
Fonctionnement de la buse

La buse en métal anodisé, laqué noir peut être orientée de 110° en avant, en arrière et sur les côtés. Grande poignée circulaire 300 mm.



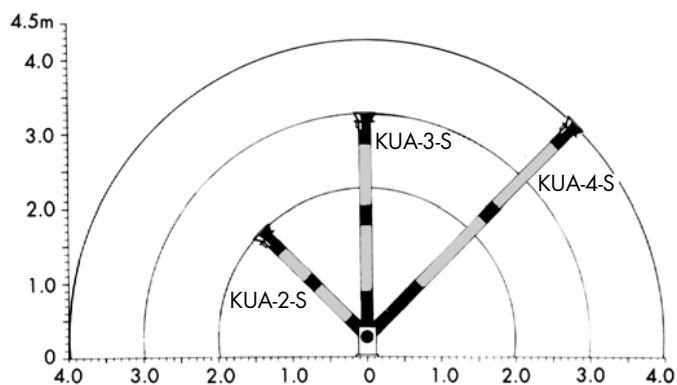
Exemples de montage

KUA avec support PA-110 ou PA-220



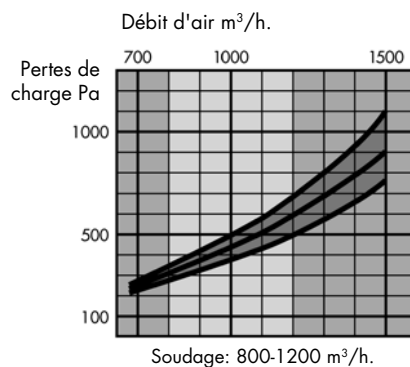
Rayons d'action du KUA -2 -3 -4 -S

Rayons d'action maximal KUA -2 -3 -4 -S



Pertes de charge

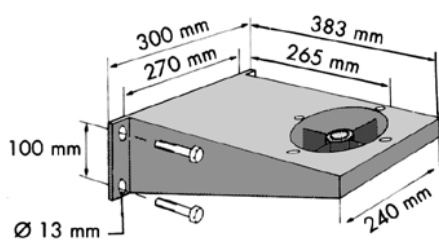
Les courbes ci-dessus présentent les pertes de charge moyennes dans le KUA-S.



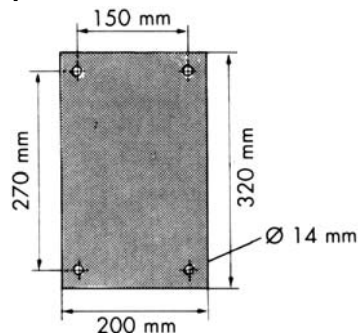
Les pertes de charge dans le KUA-S dépendent des facteurs suivants:

1. Longueur du bras: 2, 3 or 4m.
2. Débit d'air.
3. Nombre de coudes du bras et angles de coude.

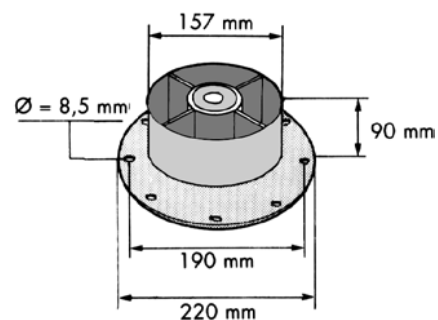
Fixation murale du KUA-S



Plaque de fixation PA-110, 220



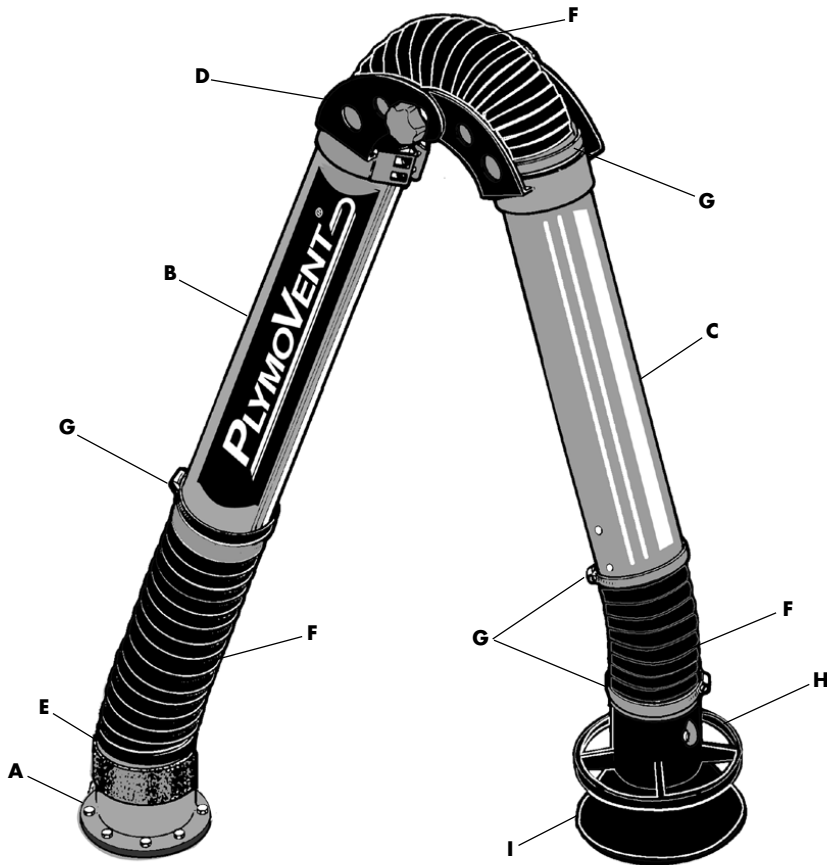
Bride KUA-S à roulements à billes



INSTRUCTIONS DE MONTAGE

Bras d'aspiration
KUA-2-S, KUA-3-S, KUA-4-S

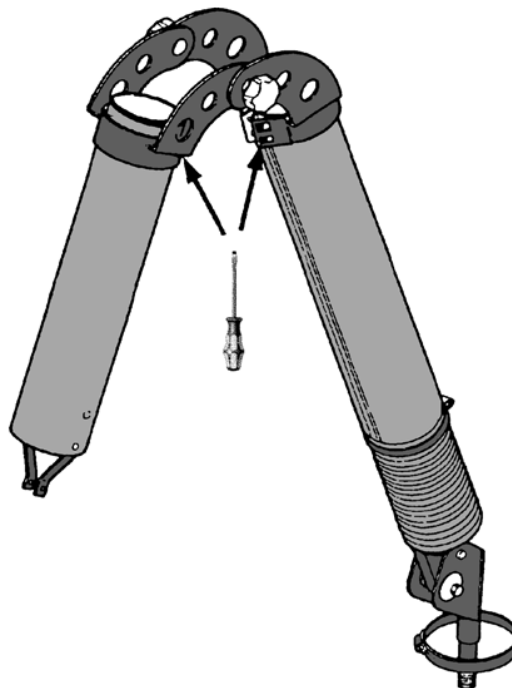
© Copyright 2008: Toutes les informations concernant cette documentation ne peuvent être reproduites, copiées, traduites dans un autre langage sans l'approbation de Plymovent AB qui se réserve tous les droits de faire des modifications. Pour de plus amples informations, veuillez contacter le service commercial de Plymovent au: Tél 05 49 51 55 88, Fax 05 49 51 59 33.

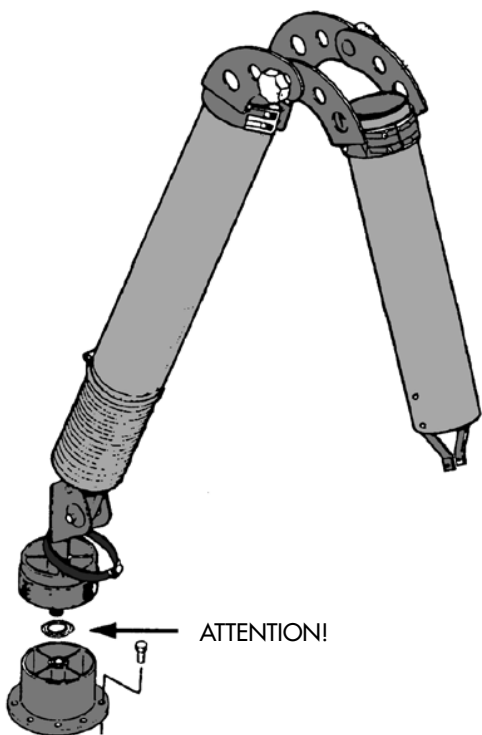


Pos N°	DESCRIPTION
A	Bride de montage
B	Tuyau de bras intérieur
C	Tuyau de bras extérieur
D	Articulation
E	Bague d'étanchéité en caoutchouc
F	Flexible
G	Collier de serrage
H	Fixation de la buse
I	Buse

Instructions de montage

1. Assembler les deux bras au moyen de l'articulation.

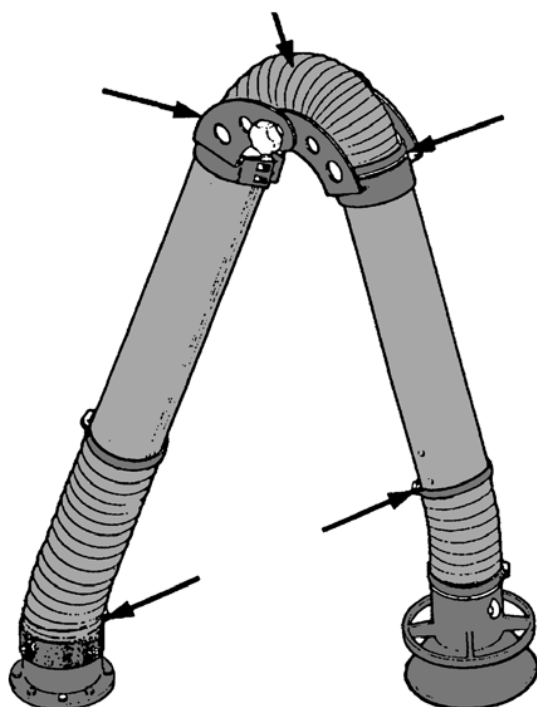
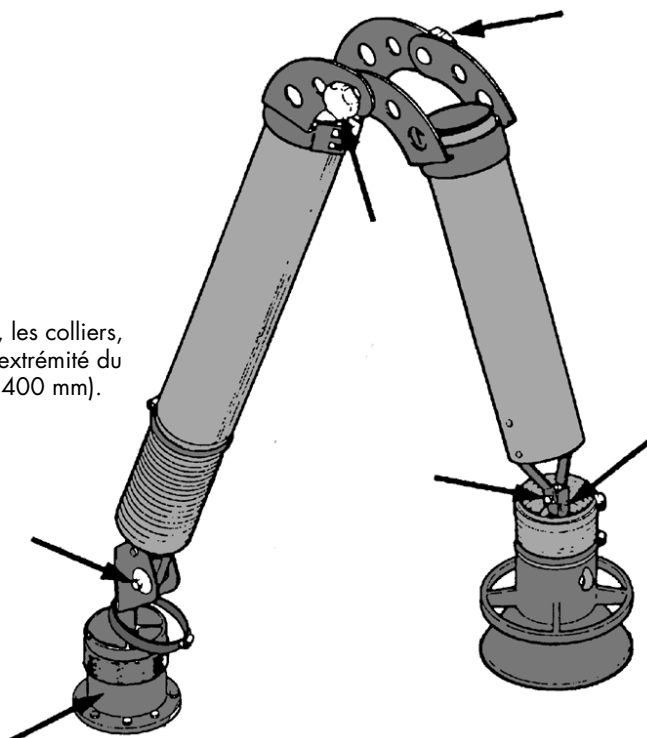




2. Monter la bride de support sur le filtre et la baque d'étanchéité en caoutchouc sur le bras intérieur. Puis monter le bras intérieur sur le filtre.

ATTENTION! LA BAGUE D'ETANCHEITE

3. Mettre en place la gaine flexible, les colliers, le support de buse et la buse à l'extrémité du bras extérieur (Gaine flexible de 400 mm).



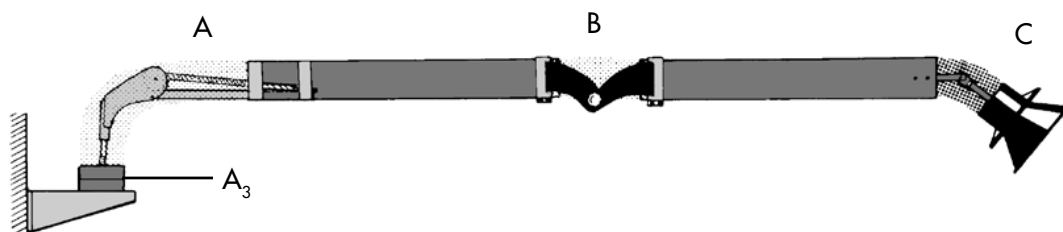
4. Régler les articulations à friction.

5. Mettre en place les gaines flexibles et les colliers (Gaine flexible de 650 mm).

INSTRUCTION DE MAINTENANCE

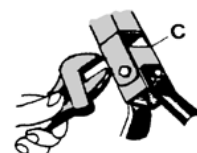
Bras d'aspiration KUA-S

© Copyright 2008: Toutes les informations concernant cette documentation ne peuvent être reproduites, copiées, traduites dans un autre langage sans l'approbation de Plymovent AB qui se réserve tous les droits de faire des modifications. Pour de plus amples informations, veuillez contacter le service commercial de Plymovent au: Tél 05 49 51 55 88, Fax 05 49 51 59 33.



A. Si le bras ne se maintient pas en position voulue:

1. Dégager la gaine flexible en A.
2. Etirer l'extracteur au maximum et le mettre en position horizontale. Procéder ensuite au réglage jusqu'à ce que le bras commence à s'incliner lentement. Serrer très légèrement le frein; le réglage est maintenant terminé.
3. Régler le frein de friction.



B. Si le bras extérieur ne se maintient pas en position voulue:

1. Mettre le bras extérieur à horizontale. Procéder ensuite au réglage jusqu'à ce que le bras commence à s'incliner lentement. Serrer très légèrement l'articulation; le réglage est maintenant terminé.

C. Si la buse ne se maintient pas en position voulue:

1. Dégager la gaine flexible en C.
2. Régler le niveau de friction (voir croquis) de façon à ce que la buse se maintienne en position voulue.

DESCRIPTION TECHNIQUE

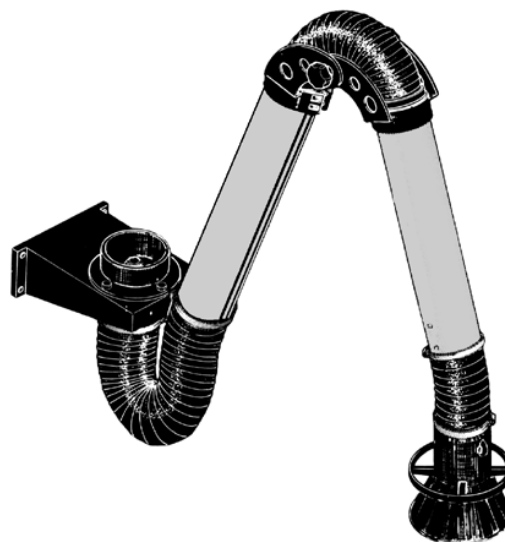
Bras d'extraction sur roulement à billes KUA-ATEX

© Copyright 2008. Toutes les informations concernant cette documentation ne peuvent être reproduites, copiées, traduites dans un autre langage sans l'approbation de PlymoVent AB qui se réserve tous les droits de faire des modifications. Pour de plus amples informations, veuillez contacter le service commercial de PlymoVent au : Tél 05 49 51 55 88, Fax 05 49 51 59 33.

KUA-ATEX

Bras d'extraction sur roulement à billes KUA

Le bras d'extraction sur roulement à billes de PlymoVent – KUA – est un extracteur efficace et flexible pour poussières, fumées de soudure, brouillards d'huile, fumées de solvant, etc. Il est idéal pour la plupart des postes de travail. Les deux tubes sont reliés par une articulation externe brevetée. Cette articulation externe se règle manuellement, sans aucun outil. L'articulation inférieure à ressort, montée sur un double roulement à billes, permet au KUA un déplacement flexible et tout en souplesse. Le KUA peut atteindre des hauteurs supérieures à sa position de montage et se tourne sur 360°. Les longueurs sont en tube aluminium lisse et léger, ce qui permet une grande robustesse et limite le poids total et le niveau sonore, même en cas de débits élevés.



Domaine d'utilisation

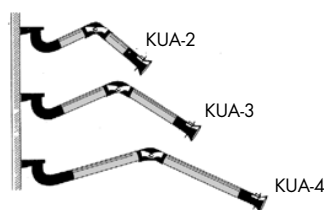
- Ce produit est susceptible d'être utilisé dans des environnements où des mélanges explosifs (gaz, brouillards, poussières) peuvent être présents.
- Ce produit peut seulement être utilisé là où la rotation est inférieure à 360°.

ATTENTION !

Ce produit ne doit pas être utilisé pour évacuer des poussières avec une valeur *MIE < 5mJ

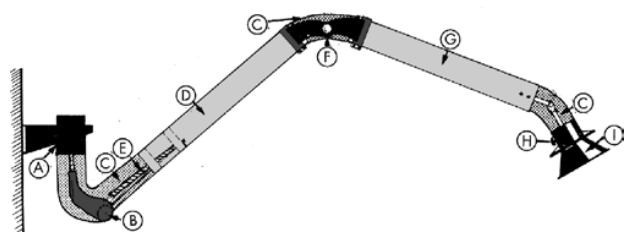
*MIE = énergie d'ignition minimale

Informations techniques



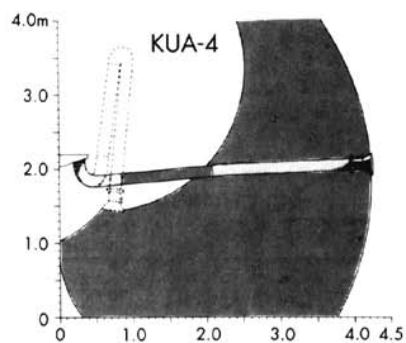
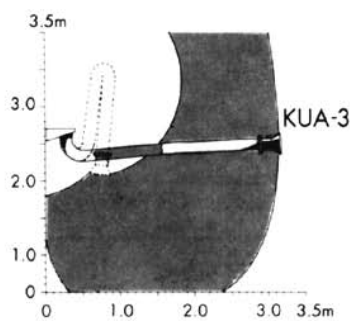
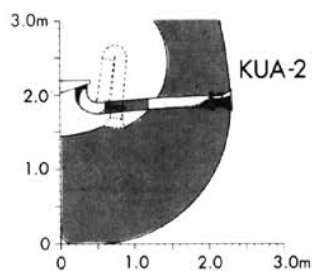
Modèle réf.		Poids	Débit recommandé m ³ /h
KUA-2	2m	20 kg	800-1200 m ³ /h
KUA-3	3m	23,5 kg	800-1200 m ³ /h
KUA-4	4m	25 kg	800-1200 m ³ /h
Diamètre tubes / flexibles	160mm		
Groupe d'équipement	II		
Catégorie d'équipement	2		
Zone / gaz / solvant	1		
Zone, poussière	21		
Température d'utilisation	max. 90 degrés C		

Composants et fonctionnement



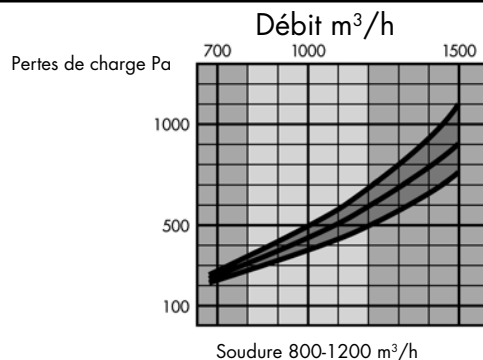
- A Equerre de montage à roulement à billes complète avec manchon Ø 160 mm
- B Pivot du bras inférieur avec réglage par friction
- C Flexible PU
- D Tube du bras inférieur en aluminium
- E Ressort de support
- F Articulation externe ajustable brevetée
- G Bras supérieur en aluminium
- H Articulation universelle avec collier et obturateur
- I Buse en acier avec grille de sécurité et accouplement rapide. Cône 300°. Poignée 360° Ø 300 mm.

Rayon d'action du KUA-2, -3, -4



Pertes de charge

Le diagramme ci-contre montre les pertes de charge moyennes par le KUA. Elles peuvent varier à l'intérieur de la zone grisée.



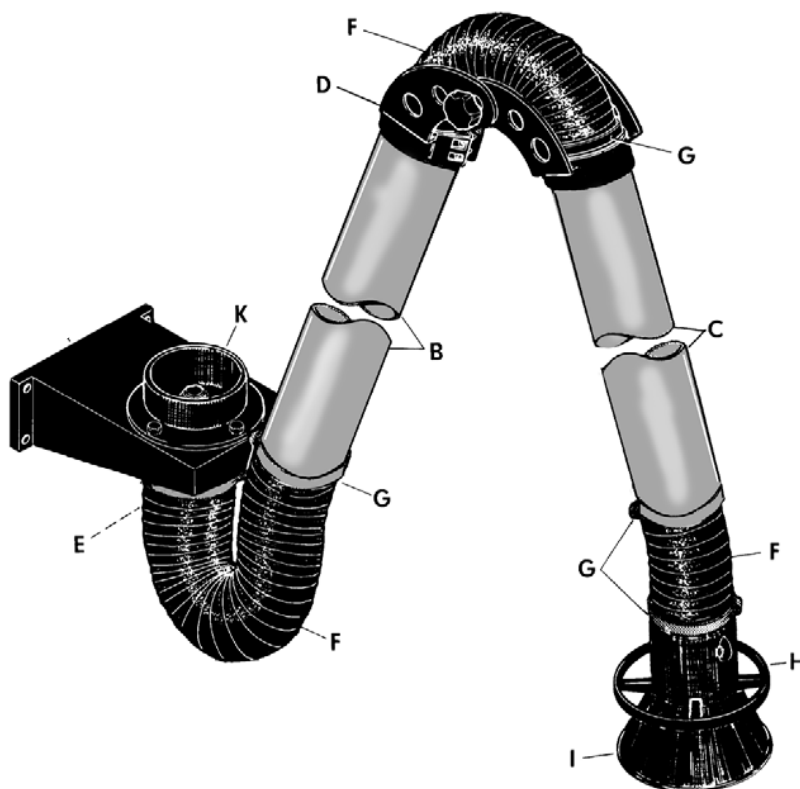
Les aspects suivants affectent les pertes de charge dans le bras :

1. Longueur du bras : 2, 3 ou 4 m
2. Volume d'air
3. Angles dans le bras

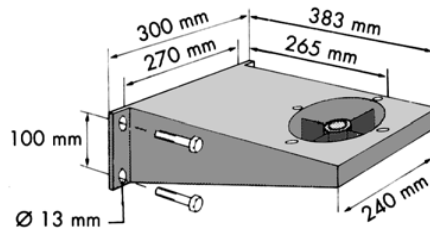
Soudure 800-1200 m³/h

INSTRUCTIONS DE MONTAGE

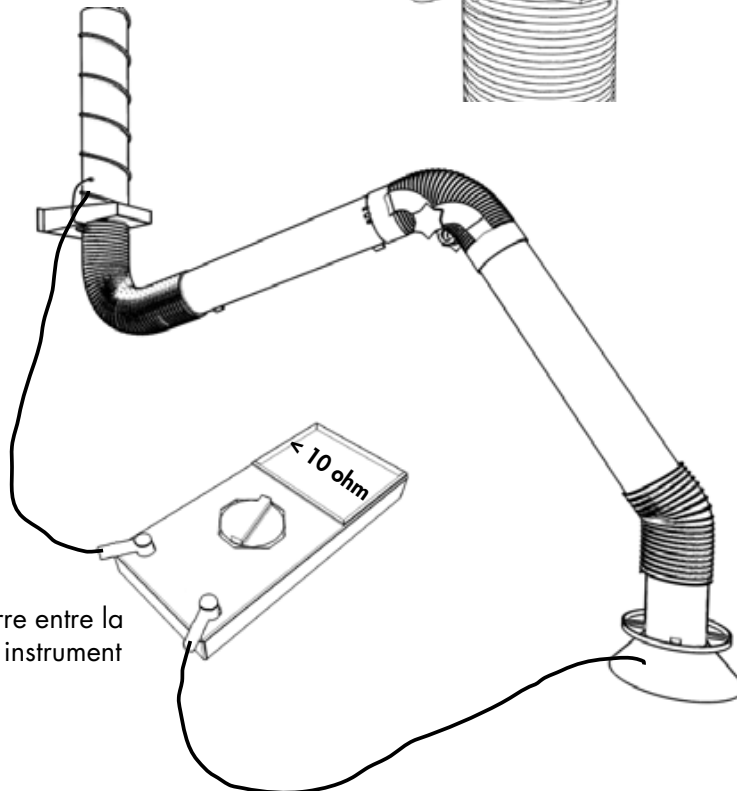
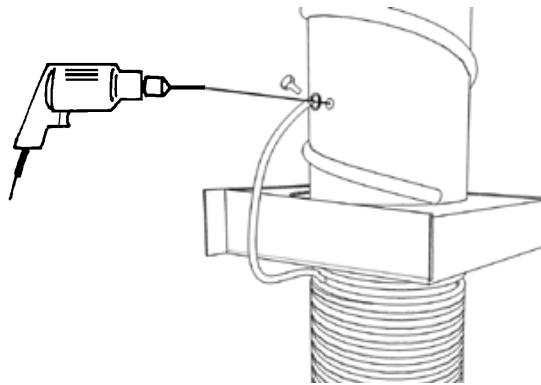
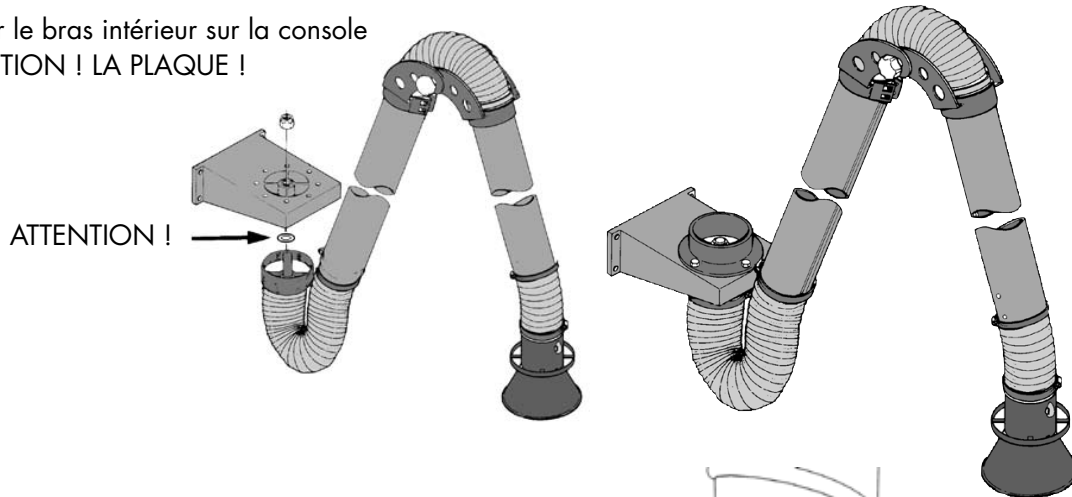
	DESCRIPTION
A	Equerre murale
B	Bras inférieur
C	Bras supérieur
D	Articulation
E	Collier caoutchouc
F	Flexible
G	Clip
H	Collier de buse
I	Buse
K	Manchon



1. Fixation murale à vis
Il est recommandé de la fixer à une hauteur de 2.2 m à 3 m du sol.



Monter le bras intérieur sur la console
ATTENTION ! LA PLAQUE !

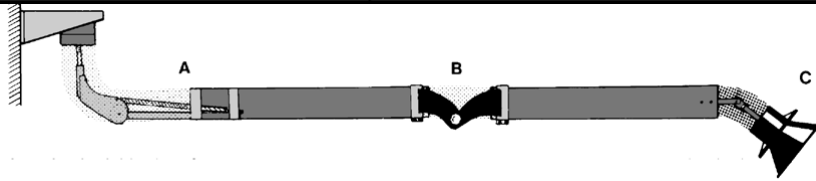


Vérifier la connexion à la terre entre la buse et le manchon avec un instrument ou un trembleur.

INSTRUCTIONS DE MAINTENANCE

KUA-ATEX

© Copyright 2008. Toutes les informations concernant cette documentation ne peuvent être reproduites, copiées, traduites dans un autre langage sans l'approbation de PlymoVent AB qui se réserve tous les droits de faire des modifications. Pour de plus amples informations, veuillez contacter le service commercial de PlymoVent au : Tél 05-49 51 55 98, Fax 05-49 51 59 33.



A – Si le bras ne reste pas dans la position demandée :

1. Desserrer le flexible en A.
2. Tirer le bras à sa longueur maximale et horizontalement. Desserrer le frein de friction jusqu'à ce que le bras tombe vers le sol. Le resserrer jusqu'à ce qu'il ne tombe plus.
3. Si le bras est difficile à bouger de côté ou s'il bouge de lui-même, alors des réglages doivent être faits sur le collier à friction. Cela peut être réalisé en desserrant ou en serrant la vis. Utiliser une clé Allen.

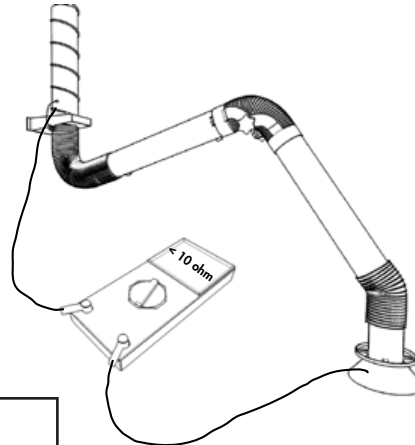


B – Si le bras supérieur ne reste pas dans la position demandée :

1. Placer le bras supérieur horizontalement. Desserrer le frein à friction jusqu'à ce que le bras tombe vers le sol. Resserrer jusqu'à ce qu'il ne tombe plus.

C – Si la buse ne reste pas dans la position demandée :

1. Desserrer le flexible en C.
2. Ajuster l'articulation à friction (voir dessin) jusqu'à ce que la buse reste dans la bonne position.



D – Vérifier :

1. Vérifier sur une base stable la connexion à la terre entre la buse et le manchon grâce à un instrument ou à un trembleur.
2. Lorsque vous remplacez les flexibles, la connexion à la terre doit être vérifiée.

Déclaration de conformité

Nous, PlymoVent AB, déclarons par la présente sous notre seule responsabilité que le produit KUA-ATEX est conforme aux normes suivantes : EN 292-1, EN 292-2, EN 50014 et EN 13463-1 selon les directives 98/37/EG et ATEX 94/9/EC.

Le produit appartient à la catégorie 2, groupe II B et peut être utilisé en zone 1 (gaz, solvant) et 21 (poussières).

Cette déclaration cessera d'être valide en cas de modification sur le produit sans notre accord express.

PlymoVent AB
Sågvägen 19
921 28 LYCKSELE

Lennart Wallberg
R&D Manager

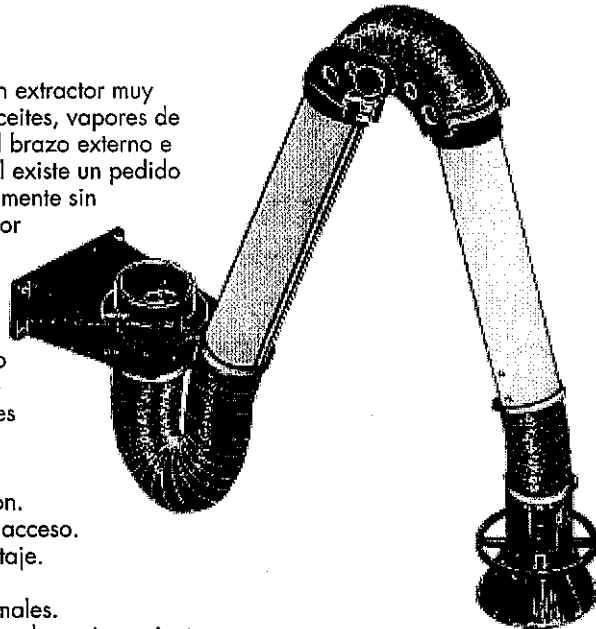
DESCRIPCIÓN TÉCNICA

BRAZO EXTRACTOR ARTICULADO SOBRE COJINETE DE BOLAS - KUA

© Copyright 1997: All rights reserved. All information within this printed matter may not be reproduced, handed over, copied, xeroxed or translated into another language in any form or means without written permission from PlymoVent AB. PlymoVent AB reserves the right to make design changes.

KUA

El brazo extractor sobre cojinetes de bolas - KUA de PlymoVent es un extractor muy efectivo y adaptable para polvo, humos de soldadura, neblina de aceites, vapores de disolventes etc. Ideales para la mayoría de los centros de trabajo. El brazo externo e interno se unen mediante una articulación central exterior (de la cual existe un pedido de patente pendiente). Esta articulación exterior es ajustable manualmente sin necesidad de herramientas. Las articulaciones dobles, accionadas por muelle y montadas sobre cojinetes de bolas, permiten un movimiento suave y flexible del KUA. El KUA puede situarse de forma que la captación este por encima del soporte de sujeción y su radio de giro es de 360°. Los brazos externos e internos están fabricados con tubos de aluminio liso y liviano. Con esto se logra no solamente mayor equilibrio en la construcción, sino que además se consigue un peso total mínimo y bajo nivel acústico, aún con grandes volúmenes de aire.



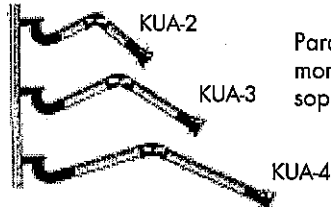
Ventajas

- Articulación central exterior y de fácil acceso, facilita la regulación.
- Regulación de la campana a través del asidero de anillo de fácil acceso.
- Montante estándar para techo, suelo o pared, que facilita el montaje.
- Alcance de hasta 6 m. con el montante PA-110 ó el PA-220.
- Construcción resistente e indestructible al uso en condiciones normales.
- Fácil de desplazar gracias a los cojinetes de bola y fuertes muelles de accionamiento.
- Los brazos internos y externos de tubos de aluminio dan una mayor estabilidad.

Suministro

El brazo se suministra completo con soporte de montaje en la pared, al cual se monta directamente el ventilador y el manguito de Ø 160 mm. de acople al canal central.

Datos técnicos



Para montaje en pared o montante. Alcance, inclusive soporte de pared, 2 - 3, y 4 m.

Modelo N°	Radio acción máx. m.	Diámetro turbo mm.	Flujo de aire recomendado en campana m³/h
KUA-2	2,0	160	800 - 1200
KUA-3	3,0	160	800 - 1200
KUA-4	4,0	160	800 - 1200

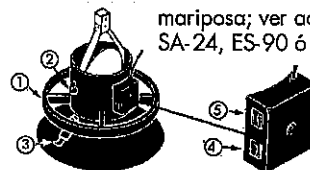
Construcción y funcionamiento

- Soporte de pared con cojinete de bolas y manguito de conexión, Ø 160 mm.
- Soporte de montaje del brazo interno con cojinetes de fricción para ajuste de tensión en el brazo.
- Tubo flexible incombustible de PVC, cubierto de poliamida tejida con espira de acero interna.
- Tubería del brazo interno en aluminio.
- Muelle de tensión.
- Articulación externa ajustable de codo con cojinetes axiales de bolas.
- Tubería del brazo externo en aluminio.
- Conexión de campana con mariposa de cierre y Articulación universal.
- Campana extractora en chapa de acero conectada a la red con cerrojo excéntrico.



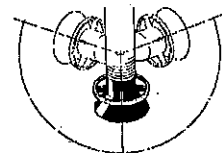
Manipulación

- Asidero de anillo para regulación de la posición de la campana y al que se puede acceder desde cualquier posición.
- Mando para reglaje de la damper.
- Pestillo para fácil y rápido cambio de manguera extensión y campana.
- Interruptor de la lámpara halógena; ver accesorio HI-20/24.
- Interruptor de Arranque/Parada del ventilador y mariposa; ver accesorio SA-24, ES-90 ó ASE-12.



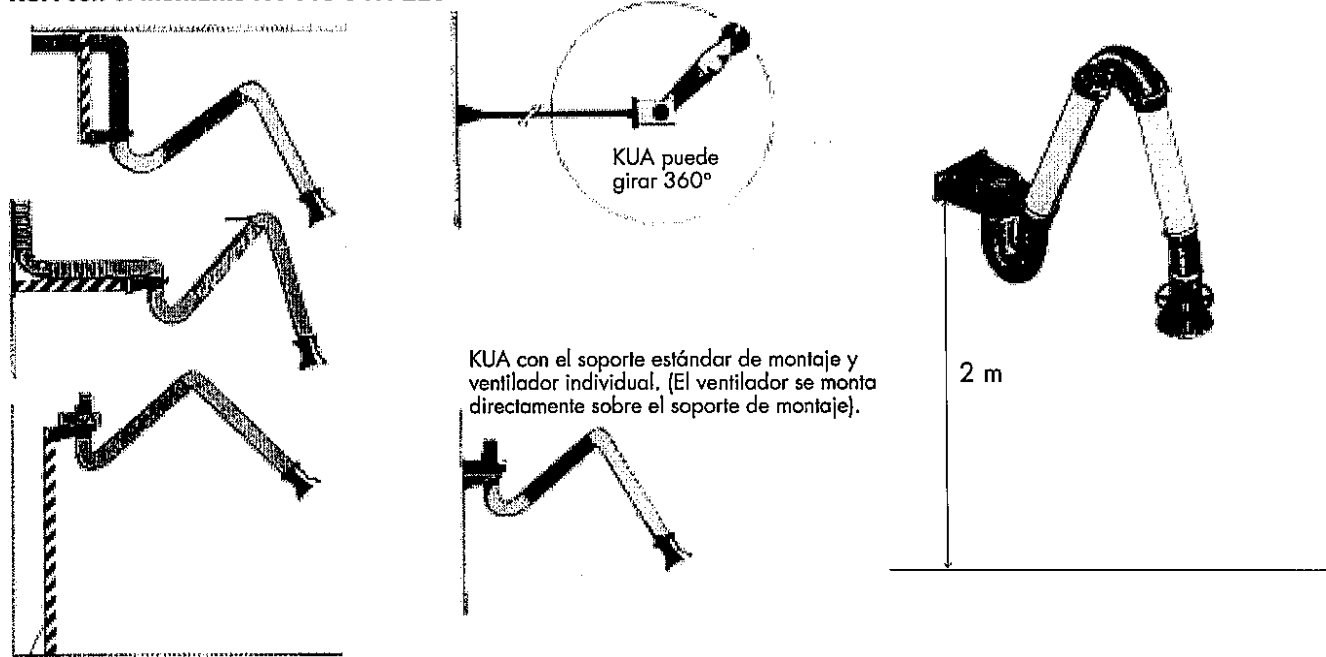
Funcionamiento de la campana

La campana negra en chapa de acero anodizado puede situarse en un ángulo de 110° en todas direcciones. Asidero grande de anillo, Ø 300 mm.

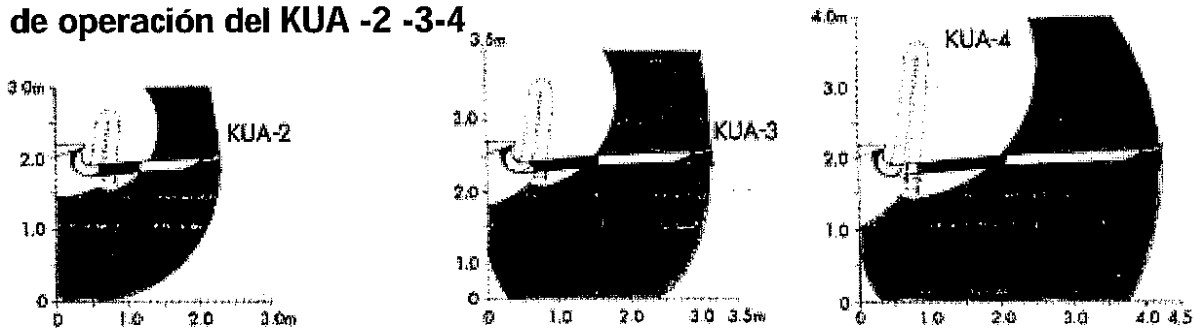


Ejemplos de montaje

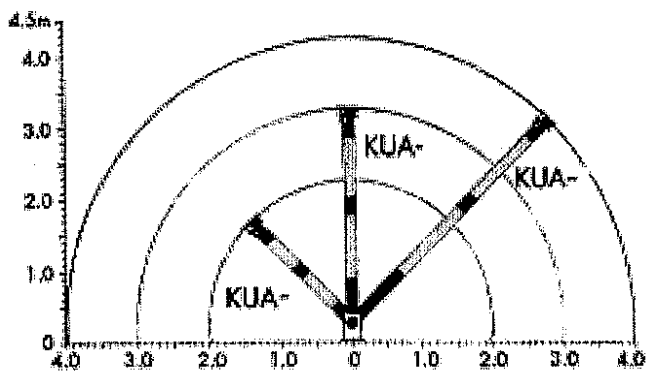
KUA con el montante PA-110 ó PA-220



Area de operación del KUA -2 -3-4



Maximum reach with KUA-2, -3, -4

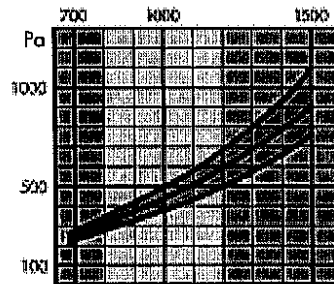


Pérdida de presión

La curva del diagrama de abajo, muestra el promedio de la pérdida de presión del KUA. La pérdida de presión, puede variar dentro de la zona sombreada.

Diagrama de flujos

Caudal de aire m³/h

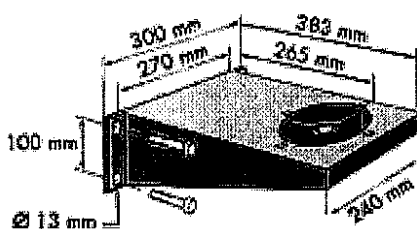


Soldaduras: 800-1200 m²/h.

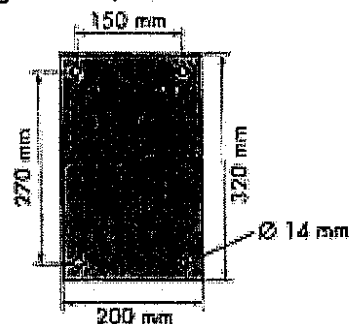
Los siguientes factores influyen en la pérdida de presión en el KUA de PlymoVent:

1. Largo del brazo: 2, 3 y 4 m.
2. Volumen de aire.
3. Cantidad de codos en el brazo y tipo de ángulo de los mismos

Soporte de pared KUA



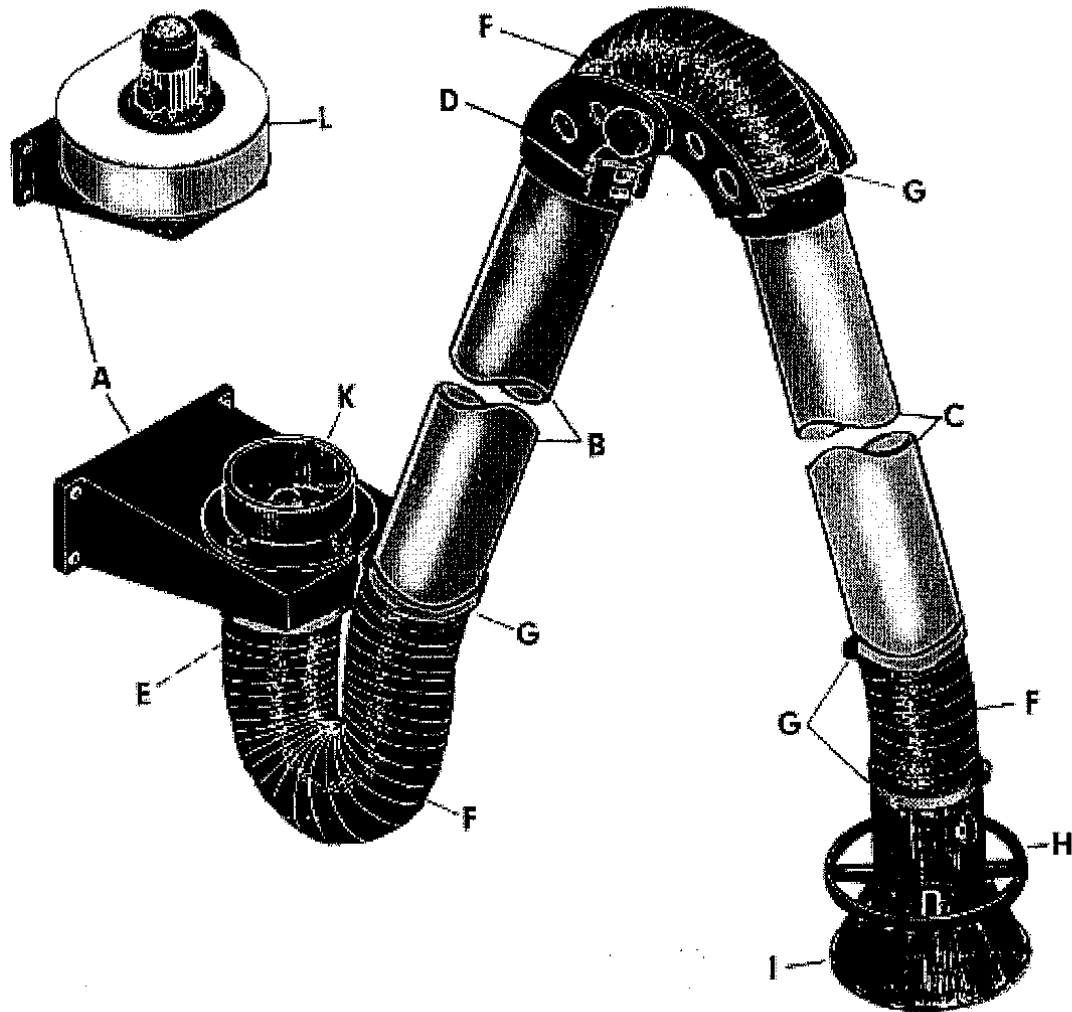
Placa de montaje PA-110, 220



INSTRUCCIONES DE MONTAJE

BRAZO DE EXTRACCIÓN ARTICULADO KUA-2, -3, -4.

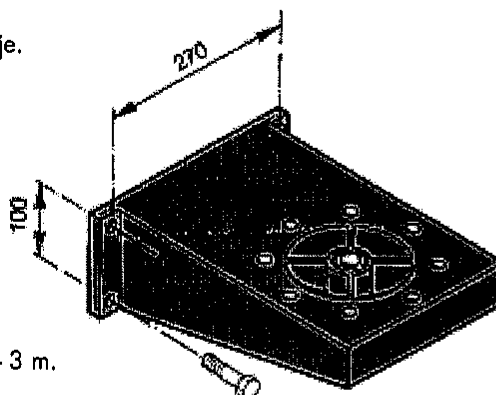
© Copyright 1997: All rights reserved. All information within this printed matter may not be reproduced, handed over, copied, xeroxed or translated into another language in any form or means without written permission from PlymoVent AB. PlymoVent AB reserves the right to make design changes.



Referencia	DESCRIPCIÓN	Referencia	DESCRIPCIÓN
A	Soporte montaje en la pared	G	Abrazadera
B	Brazo interior	H	Asidero circular
C	Brazo exterior	I	Campana
D	Articulación	K	Manguito
E	Empaquetadura	L	Ventilador
F	Manguera flexible		

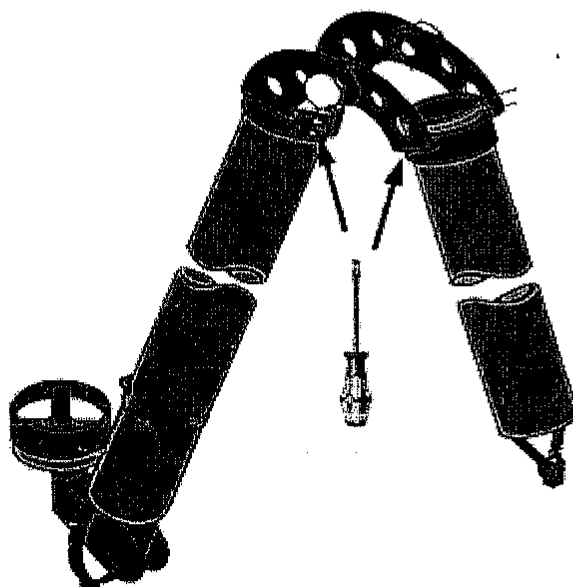
Mounting instructions

1. Montar en la pared el soporte de montaje.

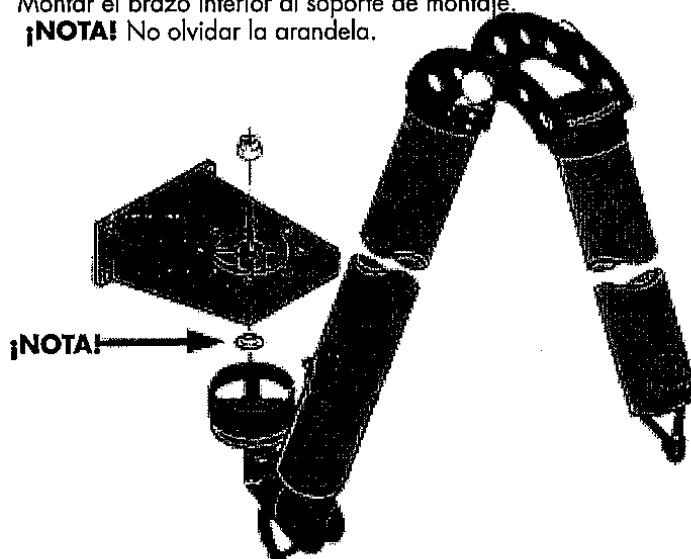


Altura de montaje desde el piso, 2,2 - 3 m.

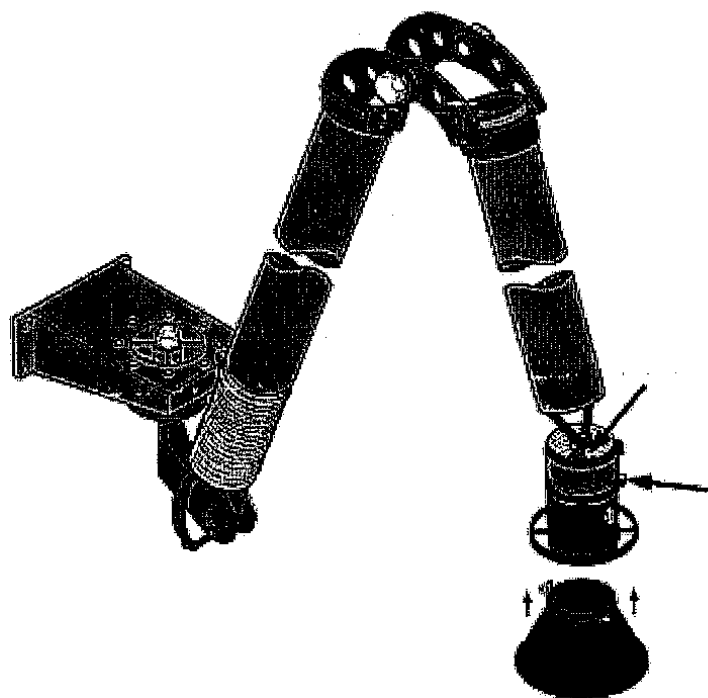
2. Montar el brazo interior con la empaquetadura al exterior mediante la articulación.



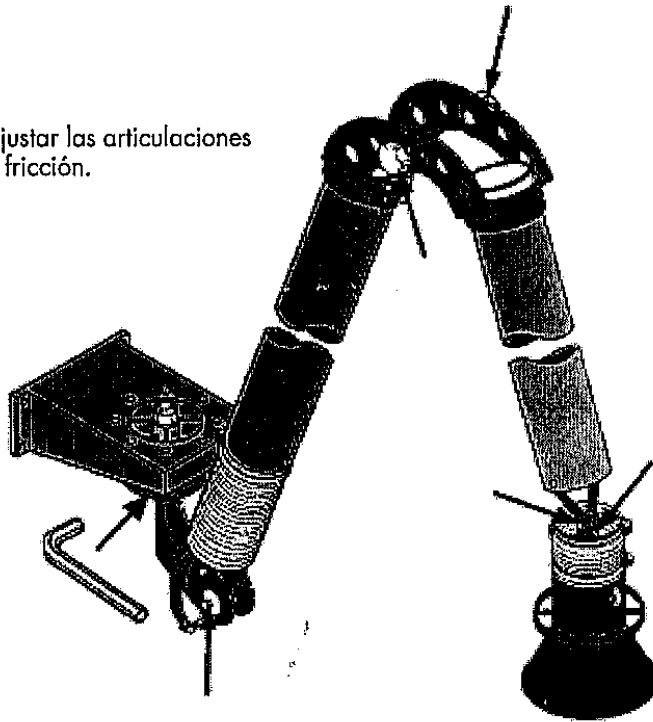
3. Montar el brazo interior al soporte de montaje.
¡NOTA! No olvidar la arandela.



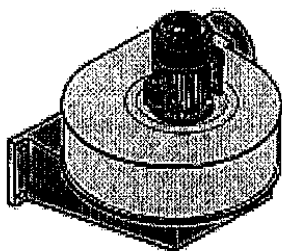
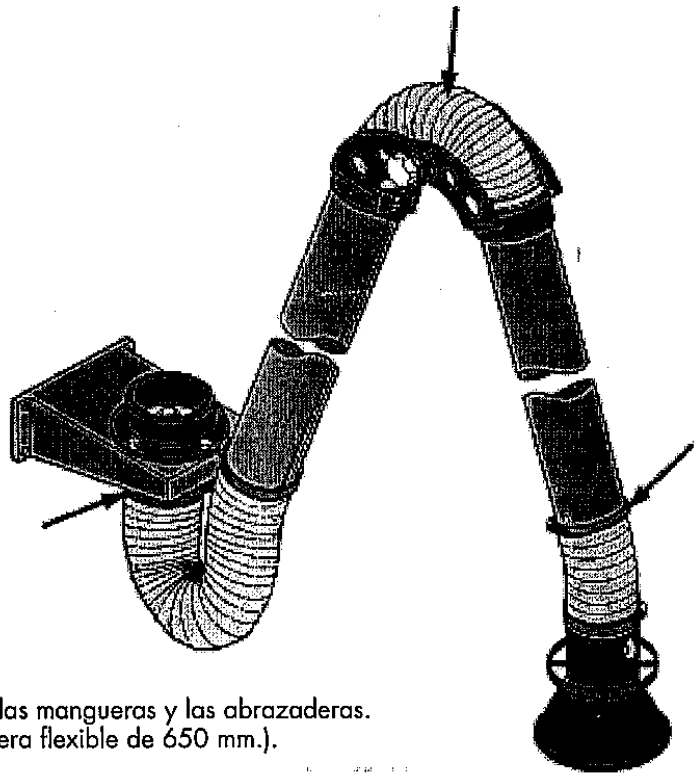
4. Montar la manguera, las abrazaderas, el asidero circular y la campana al brazo exterior.
(Manguera flexible de 400 mm.)



5. Ajustar las articulaciones a fricción.



6. Montar las mangueras y las abrazaderas.
(Manguera flexible de 650 mm.).

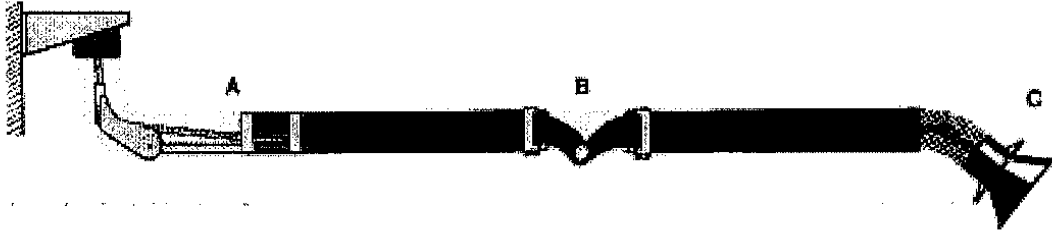


7. Montar sobre el soporte de montaje el manguito o el ventilador.

INSTRUCCIONES DE MANTENIMIENTO

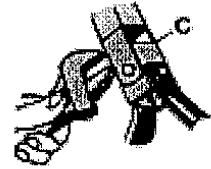
BRAZO DE EXTRACCIÓN ARTICULADO KUA-2, -3, -4.

© Copyright 1997: All rights reserved. All information within this printed matter may not be reproduced, handed over, copied, xeroxed or translated into another language in any form or means without written permission from PlymoVent AB. PlymoVent AB reserves the right to make design changes.



A. Si el brazo no se detiene en la posición requerida:

1. Soltar la manguera en A.
2. Abrir los brazos completamente hasta que queden horizontales. Ajustar luego la fricción hasta que el brazo comience a caer hacia el piso, apretando un poco más, se logra un ajuste correcto.
3. Si el brazo no se detiene exactamente en el sitio requerido al ser trasladado lateralmente, apretar el freno a fricción que se encuentra en el soporte de montaje en la pared, usar llaves Allen.



B. Si el brazo externo no se detiene en la posición requerida:

1. Colocar el brazo exterior en forma horizontal. Ajustar luego la fricción hasta que el brazo comience a caer hacia el piso, apretando un poco más, se logra un ajuste correcto.

C. Si la campana no se detiene en la posición requerida:

1. Soltar la manguera en C.
2. Ajustar el nivel de fricción (según la ilustración) hasta que la campana se detenga en la posición requerida.

DESCRIPCIÓN TÉCNICA

KUA - Vertical Brazo extractor articulado sobre cojinetes de bola.

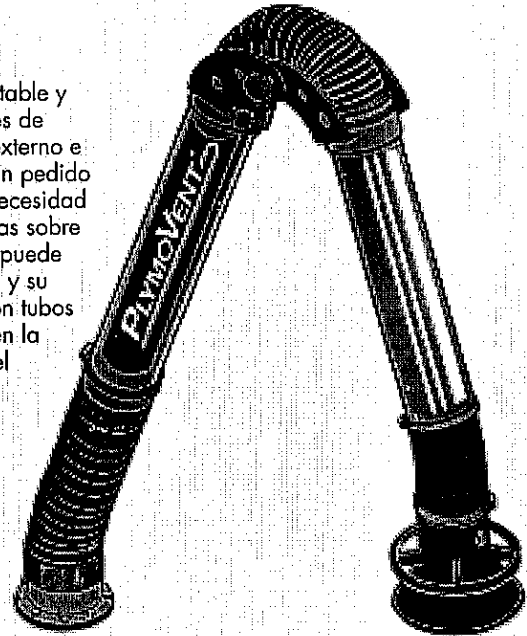
© Copyright 1997: All rights reserved. All information within this printed matter may not be reproduced, handed over, copied, xeroxed or translated into another language in any form or means without written permission from PlymoVent AB. PlymoVent AB reserves the right to make design changes.

KUA - Vertical

El brazo extractor sobre cojinetes de bolas - KUA-S de PlymoVent es un adaptable y efectivo extractor de polvos, humos de soldadura, neblina de aceites, vapores de disolventes etc. Ideales para la mayoría de los centros de trabajo. El brazo externo e interno se unen mediante una articulación central exterior (de la cual existe un pedido de patente pendiente). Esta articulación exterior se ajusta manualmente sin necesidad de herramientas. Las articulaciones dobles, accionadas por muelle y montadas sobre cojinetes de bolas, permiten un movimiento suave y flexible del KUA. El KUA puede situarse de forma que la capitación este por encima del soporte de sujeción y su radio de giro es de 360°. Los brazos externos e internos están fabricados con tubos de aluminio liso y liviano. Con esto se logra no solamente mayor equilibrio en la construcción, sino que además se consigue un peso total mínimo y bajo nivel acústico, aún con grandes volúmenes de aire.

Ventajas

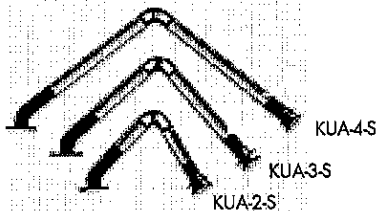
- Fácil de desplazar gracias a los cojinetes de bola y fuertes muelles de accionamiento.
- Los brazos internos y externos de tubos de aluminio dan una mayor estabilidad.
- Articulación central exterior y de fácil acceso, facilita la regulación.
- Regulación de la campana a través del asidero de anillo de fácil acceso.
- Montante estándar para techo, suelo o pared, que facilita el montaje.
- Alcance de hasta 6 m. con el montante PA-110 ó el PA-220.
- Construcción resistente e indestructible al uso en condiciones normales.



Suministro

El brazo se suministra completo brida de montaje.

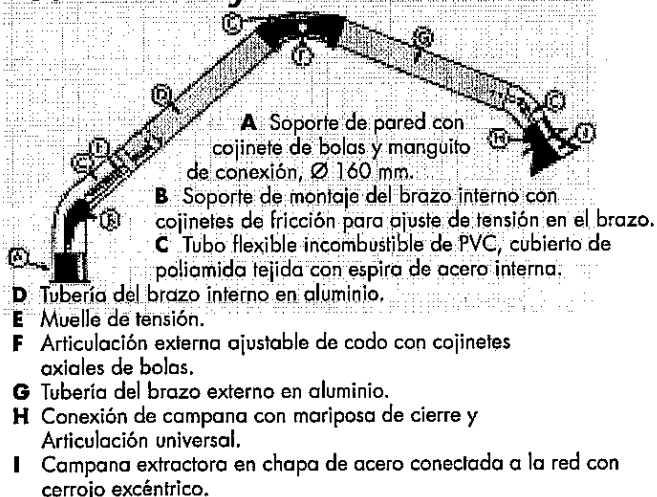
Datos técnicos



Brida de conexión vertical.
Alcance, inclusive la brida, 2 m., 3 m. y 4 m.

Modelo N°	Radio acción máx. m.	Diámetro turbo mm.	Flujo de aire recomendado en campa m³/h
KUA-2-S	2,0	160	800 - 1200
KUA-3-S	3,0	160	800 - 1200
KUA-4-S	4,0	160	800 - 1200

Construcción y funcionamiento



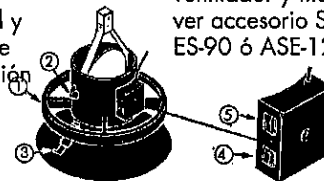
- A** Soporte de pared con cojinete de bolas y manguito de conexión, Ø 160 mm.
B Soporte de montaje del brazo interno con cojinetes de fricción para ajuste de tensión en el brazo.
C Tubo flexible incombustible de PVC, cubierto de poliamida tejida con espira de acero interna.

- D** Tubería del brazo interno en aluminio.
E Muelle de tensión.
F Articulación externa ajustable de codo con cojinetes axiales de bolas.
G Tubería del brazo externo en aluminio.
H Conexión de campana con mariposa de cierre y articulación universal.
I Campana extractora en chapa de acero conectada a la red con cerrojo excéntrico.

¡NOTA! La campana puede girarse 110° en todas direcciones. Abertura de la campana Δ 300 mm. Asidero de anillo Δ 300 mm.

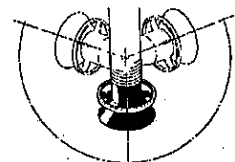
Manipulación

1. Asidero de anillo para regulación de la posición de la campana y al que se puede acceder desde cualquier posición.
2. Mando para reglaje de la mariposa.
3. Pestillo para fácil y rápido cambio de manguera extensión y campana.
4. Interruptor de la lámpara halógena; ver accesorio HL-20/24.
5. Interruptor de ARRANQUE/PARADA del ventilador y mariposa; ver accesorio SA-24, ES-90 ó ASE-12.



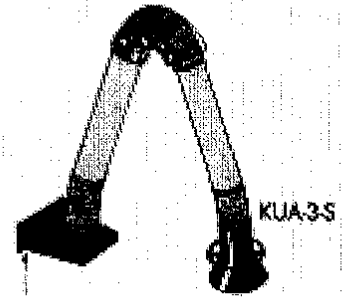
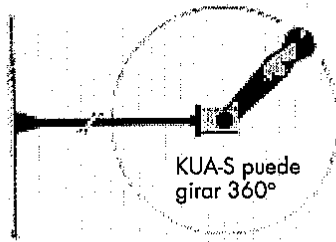
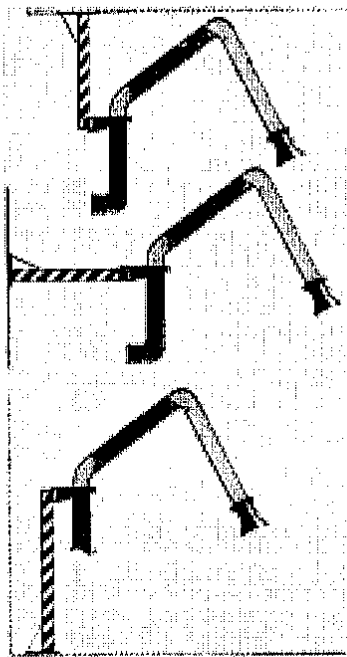
Funcionamiento de la campana

La campana negra en chapa de acero anodizado puede situarse en un ángulo de 110° en todas direcciones. Asidero grande de anillo, Ø 300 mm.



Ejemplos de montaje

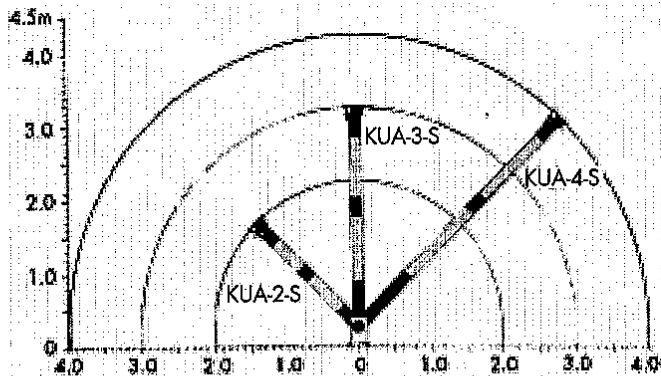
KUA-S con el montante PA-110 ó PA-220



1 m

La versión en vertical KUA-S puede montarse fácilmente más abajo sin que afecte el alcance del brazo. En caso de montar el KUA-S en la pared, se debe solicitar aparte el soporte de pared KUA-X-03.

Area de operación del KUA -2 -3 -4 -S

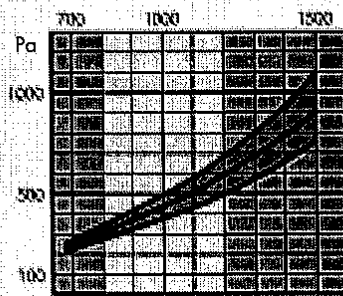


Pérdida de presión

La curva del diagrama de abajo, muestra el promedio de la pérdida de presión del KUA-S. La pérdida de presión, puede variar dentro de la zona sombreada.

Diagrama de flujos

Caudal de aire m³/h.

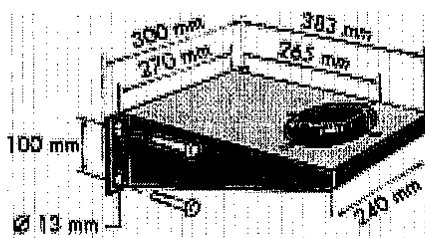


Los siguientes factores influyen en la pérdida de presión en el KUA-S de PlymoVent:

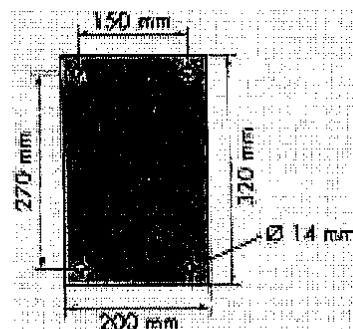
1. Largo del brazo: 2, 3 y 4 m.
2. Volumen de aire.
3. Cantidad de codos en el brazo y tipo de ángulo de los mismos.

Soldaduras: 800-1200 m³/h.

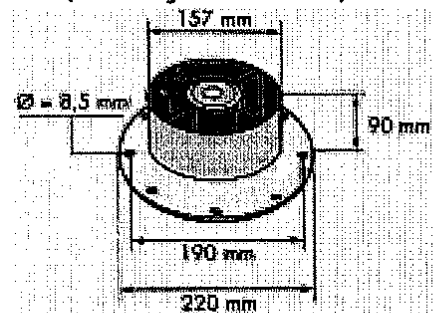
Soporte de pared KUA-S



Placa de montaje PA-110, 220



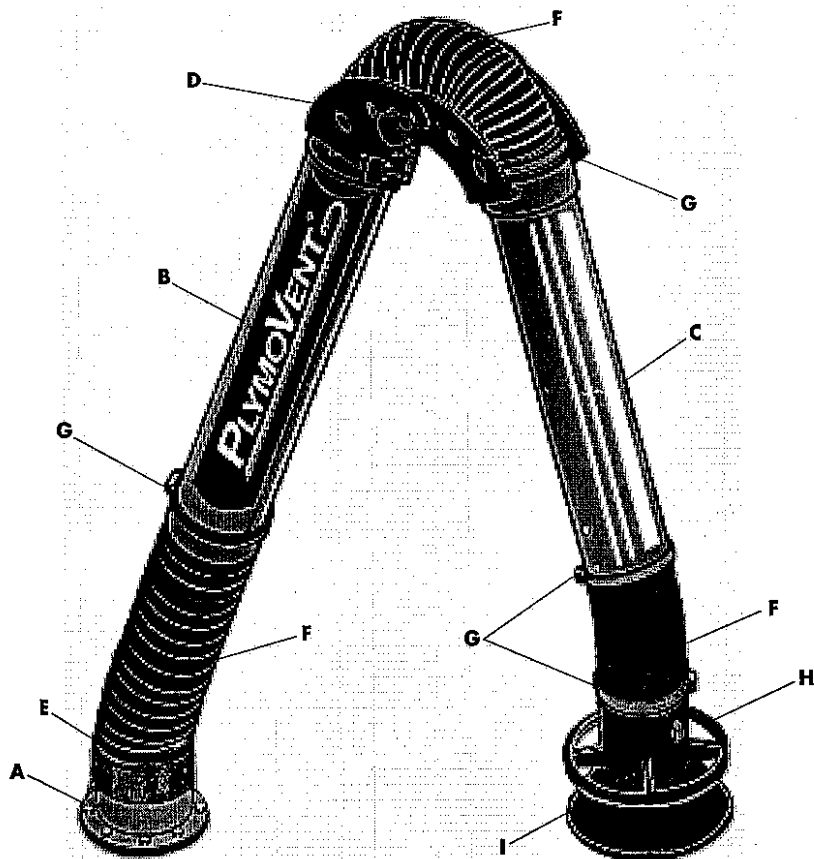
Brida de montaje KUA-S (sobre cojinete de bolas)



INSTRUCCIONES DE MONTAJE

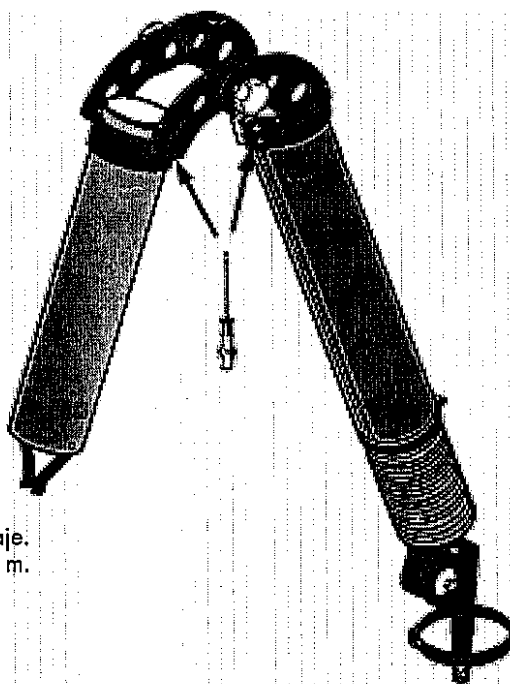
KUA-2, -3, -4S

© Copyright 1997: All rights reserved. All information within this printed matter may not be reproduced, handed over, copied, xeroxed or translated into another language in any form or means without written permission from PlymoVent AB. PlymoVent AB reserves the right to make design changes.

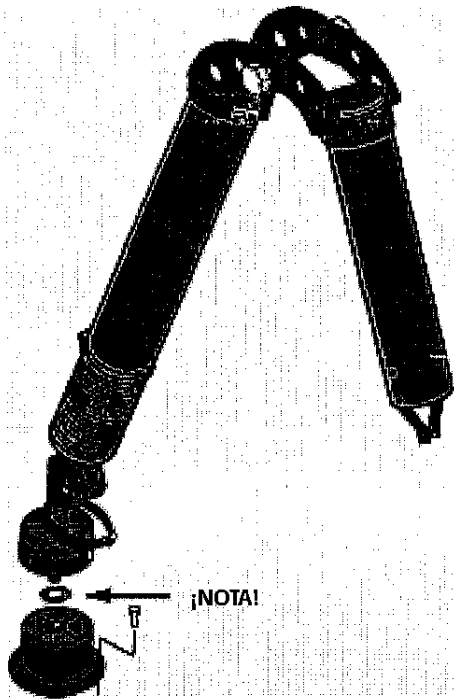


Pos no	DESCRIPTION
A	Soporte de montaje en la pared
B	Brazo interior
C	Brazo exterior
D	Articulación
E	Empaquetadura
F	Manguera flexible
G	Abrazadera
H	Asidero circular
I	Campana
K	Manguito
L	Ventilador

Instrucciones de montaje



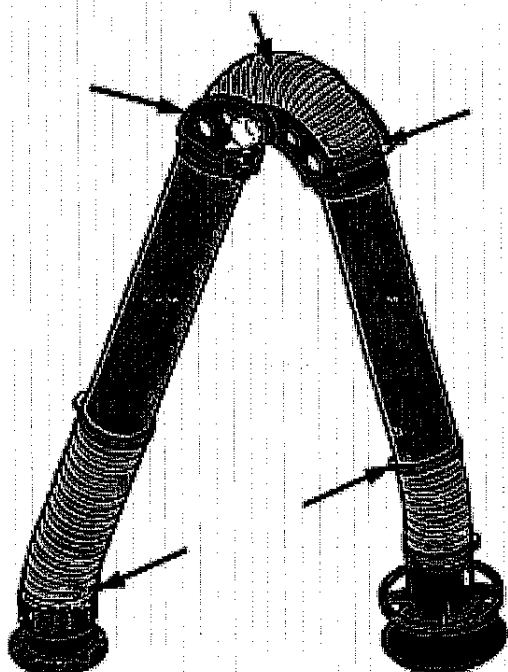
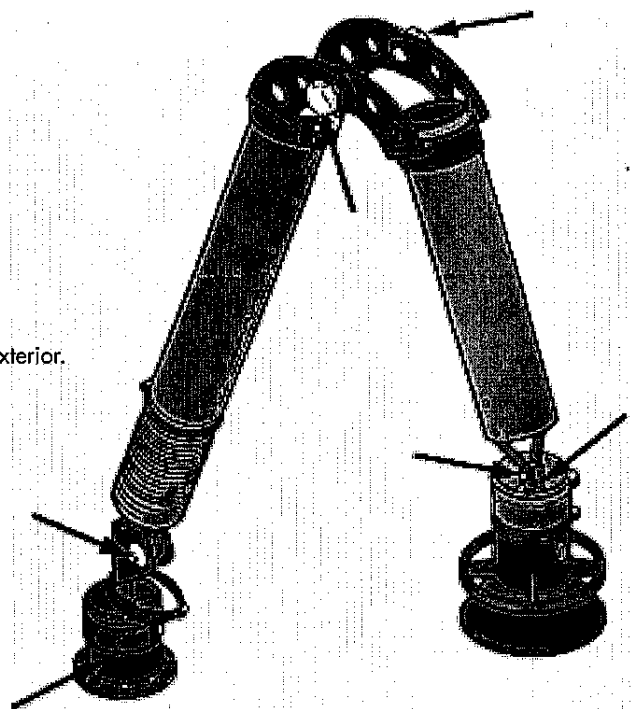
1. Montar en la pared el soporte de montaje. Altura de montaje desde el piso, 2,2 - 3 m.



2. Montar el brazo interior al soporte de montaje.

¡NOTA! NO OLVIDAR LA ARANDELA.

3. Montar la manguera, las abrazaderas, el asidero circular y la campana al brazo exterior. (Manguera flexible de 400 mm.)



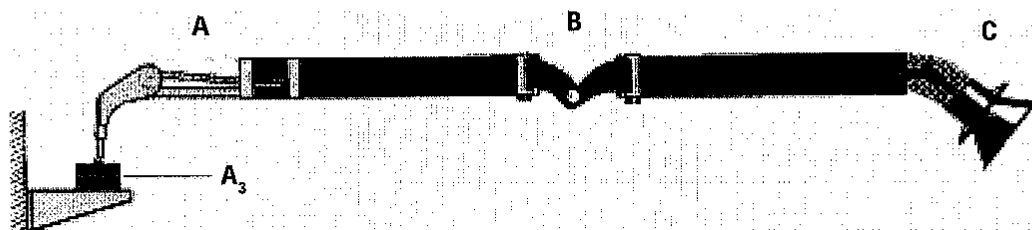
4. Ajustar las articulaciones a fricción.

5. Montar las mangueras y las abrazaderas. (Manguera flexible de 650 mm.).

INSTRUCCIONES DE MANTENIMIENTO

KUA-S

© Copyright 1997: All rights reserved. All information within this printed matter may not be reproduced, handed over, copied, xeroxed or translated into another language in any form or means without written permission from PlymoVent AB. PlymoVent AB reserves the right to make design changes.



A. Si el brazo no se detiene en la posición requerida:

1. Soltar la manguera en A.
2. Abrir los brazos completamente hasta que queden horizontales. Ajustar luego la fricción hasta que el brazo comience a caer hacia el piso, apretando un poco más, se logra un ajuste correcto.
3. Si el brazo no se detiene exactamente en el sitio requerido al ser trasladado lateralmente, apretar el freno a fricción que se encuentra en el soporte de montaje en la pared, usar llaves Allen.



B. Si el brazo externo no se detiene en la posición requerida:

1. Colocar el brazo exterior en forma horizontal. Ajustar luego la fricción hasta que el brazo comience a caer hacia el piso, apretando un poco más, se logra un ajuste correcto.

C. Si la campana no se detiene en la posición requerida:

1. Soltar la manguera en C.
2. Ajustar el nivel de fricción (según la ilustración) hasta que la campana se detenga en la posición requerida.

DESCRIZIONE TECNICA

Braccio d' aspirazione KUA su cuscinetti a sfere

Il braccio d' aspirazione KUA della Plymovent con giunti su cuscinetti a sfere è un aspiratore flessibile ed efficiente per polveri, fumi di saldatura, nebbie oleose, fumi causati da solventi etc. Ideale per la soluzione di diversi problemi.

Il braccio interno e quello esterno sono accoppiati con un giunto a gomito montato esternamente per il quale abbiamo chiesto un certificato di brevetto. Questo giunto esterno viene regolato manualmente senza ausilio di utensili.

Il giunto inferiore con molla, sostenuto da un doppio supporto di cuscinetti a sfere, permette al KUA movimenti articolati e regolari. Il KUA supera l' altezza di montaggio ed è girevole per 360°. Sia il braccio interno che quello esterno sono realizzati in tubazione leggera e levigata di alluminio. Questo non solo rende il braccio robusto, ma riduce anche il peso totale ed il livello di rumorosità, persino ad alte portate di aspirazione.

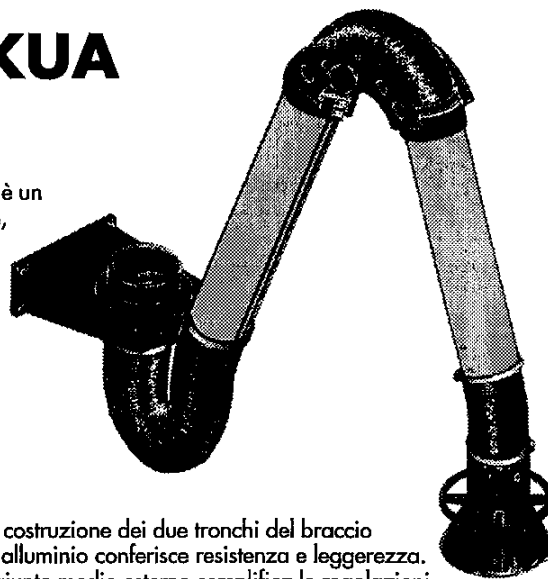
Fornitura

Il braccio di aspirazione viene fornito completo di un supporto a parete su cui si può direttamente installare l' eventuale ventilatore. Viene pure fornito un raccordo in tubo flex Ø 160 mm per il collegamento all' impianto centralizzato.

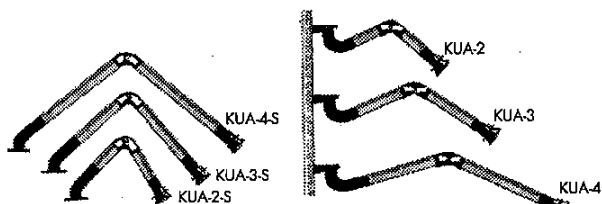
Vantaggi

- Facile manovrabilità grazie al montaggio su cuscinetti a sfere ed alla molla.

- La costruzione dei due tronchi del braccio in alluminio conferisce resistenza e leggerezza.
- Il giunto medio esterno semplifica le regolazioni
- L' impugnatura ad anello di facile presa permette un comodo posizionamento della cappetta
- L' utilizzo di una staffa standard (PA-110, PA-220) per montaggio a soffitto, a pavimento ed a parete consente una facile installazione
- Estensione di 6 m con staffa PA-220
- Costruzione robusta



Dati Tecnici

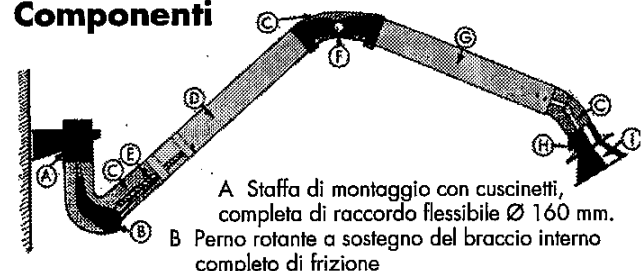


Modello verticale. Montaggio a flangia. Estensione a 2 m, 3 m e 4 m. Flangia inclusa.

Modello standard. Montaggio a parete con staffa. Estensione a 2 m, 3 m e 4 m. Staffa di sostegno inclusa.

Modello n.	Massimo raggio d' azione	Diametro mm tubo flex	Flusso d' aria mc/h raccomandato
KUA-2	2,0	160	800 - 1200
KUA-3	3,0	160	800 - 1200
KUA-4	4,0	160	800 - 1200
KUA-2-S	2,0	160	800 - 1200
KUA-3-S	3,0	160	800 - 1200
KUA-4-S	4,0	160	800 - 1200

Componenti



A Staffa di montaggio con cuscinetti, completa di raccordo flessibile Ø 160 mm.

B Perno rotante a sostegno del braccio interno completo di frizione

C Tubo flessibile ignifugo realizzato in poliammide rivestito in PVC con spirale interna di acciaio.

D Tubazione interna in alluminio

E Molla di sostegno pretensionata

F Giunto a gomito regolabile esternamente (depositata richiesta di brevetto)

G Tubazione esterna in alluminio

H Giunto universale con collare della cappetta d' aspirazione e serranda di chiusura

I Cappetta metallica d' aspirazione; comprende una rete di protezione ed un collegamento a innesto rapido. Apertura della cappetta Ø 300 mm. Impugnatura ad anello a 360° Ø 300 mm. N.B. La cappetta può essere ruotata di 110° in tutte le direzioni.

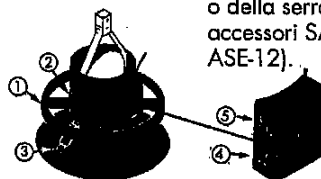
Manovre

- 1 Impugnatura ad anello a 360° per il posizionamento della cappetta. Può essere afferrata da ogni lato.
- 2 Manopola di controllo della serranda.

- 3 Sgancio rapido per una facile sostituzione del tubo di prolunga e della cappetta.

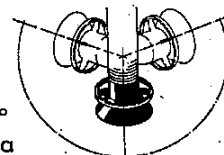
- 4 Interruttore luce (vedi accessori HL-20/24).

- 5 Interruttore manuale di comando del ventilatore o della serranda (vedi accessori SA-24, ES-90 o ASE-12).



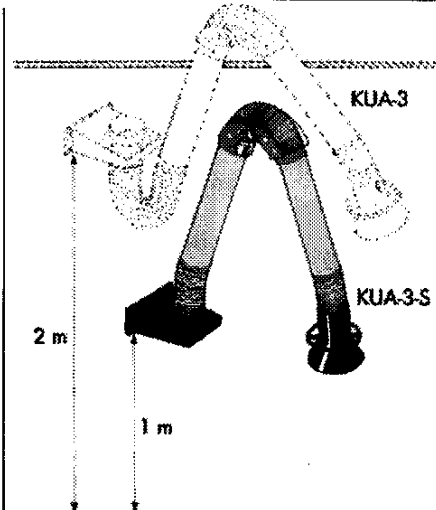
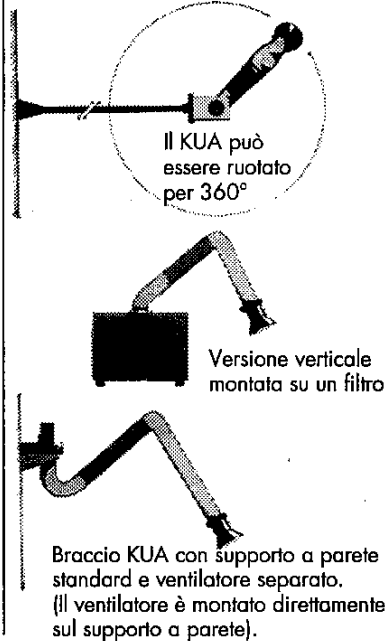
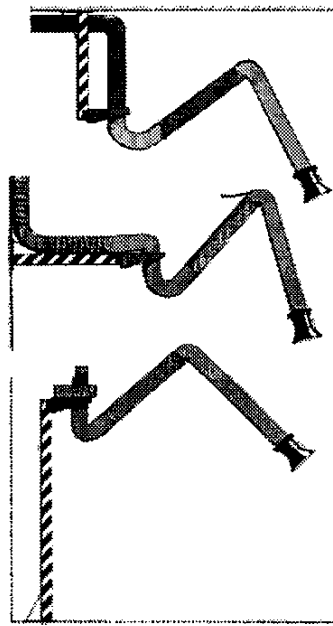
Operazioni della cappetta di aspirazione

La cappetta in metallo anodizzato, verniciata di nero, può ruotare di 110° in avanti, indietro e su tutti i lati. Ampia impugnatura ad anello a 360° Ø 300 mm.



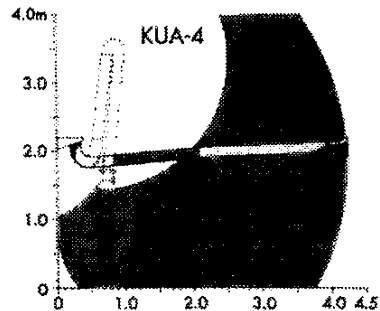
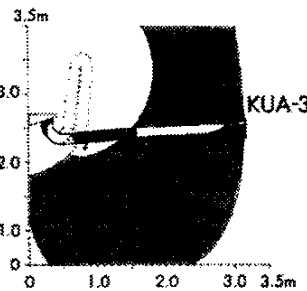
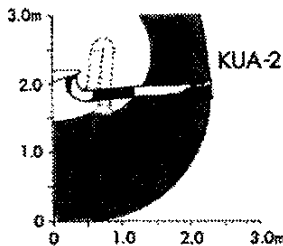
Esempi di montaggio

Braccio KUA con staffa PA-110 o PA-220



La versione verticale KUA-S può essere facilmente montata ad un livello più basso senza influenzare la portata (estensione) del braccio. Se il KUA-S deve essere montato a parete, la staffa di montaggio KUA-X-03 deve essere ordinata separatamente.

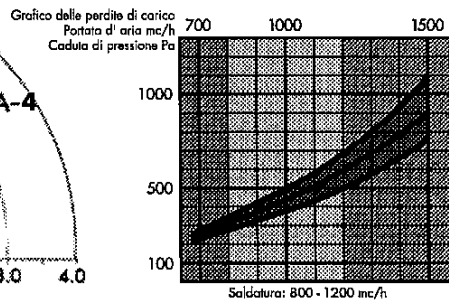
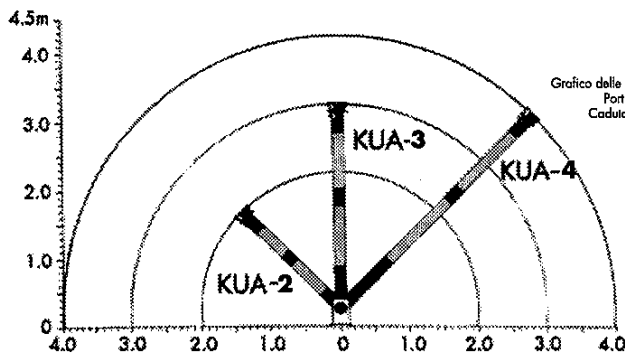
Raggio d' azione dei KUA-2-3-4



Estensione massima con KUA-2, -3, -4

Perdita di carico

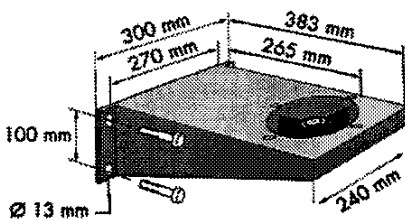
Il sotto riportato diagramma di perdita di carico mostra la perdita di carico media attraverso i KUA. La caduta di pressione può variare nell' ambito dell' area ombreggiata.



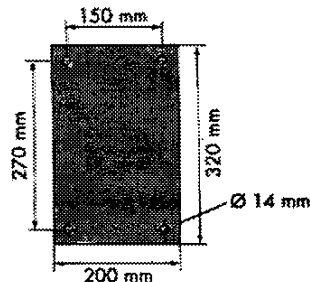
I seguenti parametri influenzano la caduta di pressione nei bracci KUA:

- 1 La lunghezza del braccio: 2, 3 o 4 m.
- 2 Il volume d' aria.
- 3 Le curve nel braccio.

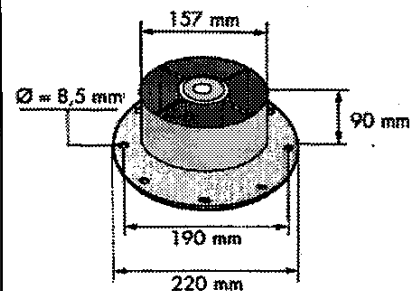
Supporto per montaggio a parete dei KUA



Piastra di montaggio PA-110, 220



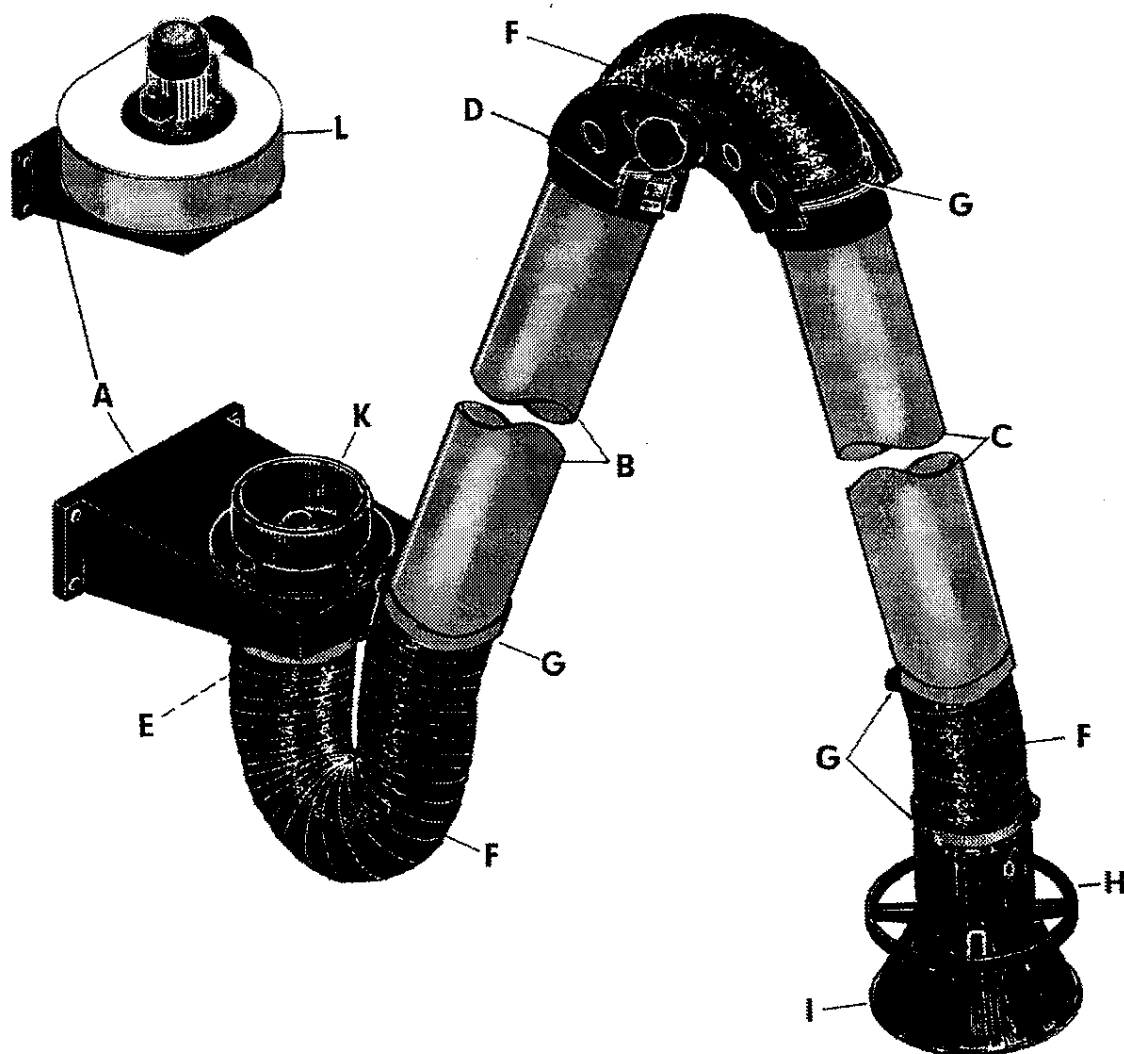
Flangia di montaggio per il KUA-S



ISTRUZIONI DI MONTAGGIO

BRACCIO DI ASPIRAZIONE . KUA-2, -3, -4

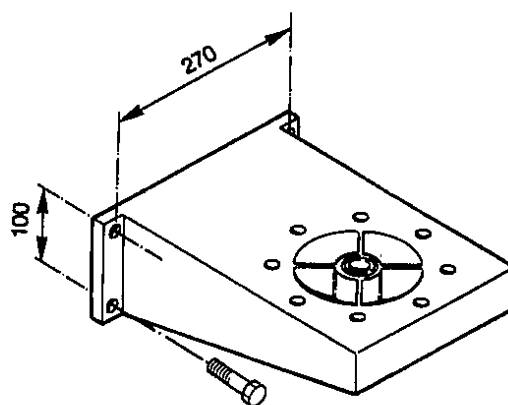
© Copyright 1995: All rights reserved. Nothing from this publication may be reproduced, handed over, copied, or translated into other language, in any form or means without written permission from PlymoVent AB. PlymoVent AB reserves the right to make design changes without notice.



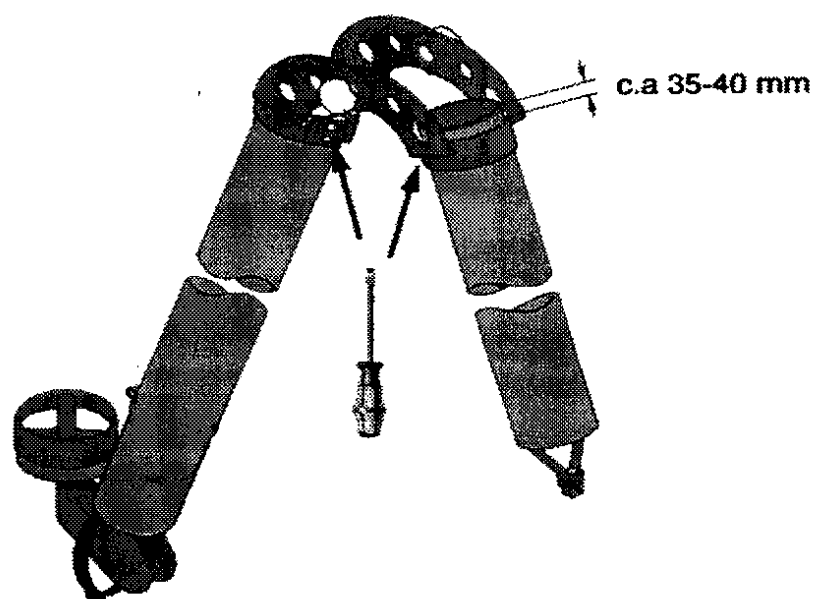
Art. nr.	DESCRIZIONE
A	Staffa di sostegno
B	Braccio interno
C	Braccio esterno
D	Giunto snodato
E	Collare di gomma
F	Tubo flessibile
G	Fascetta stringitubo
H	Collare della cappetta d' aspirazione
I	Cappetta d' aspirazione
K	Raccordo a manicotto
L	Ventilatore

1. Imbullonare la staffa di sostegno alla parete.

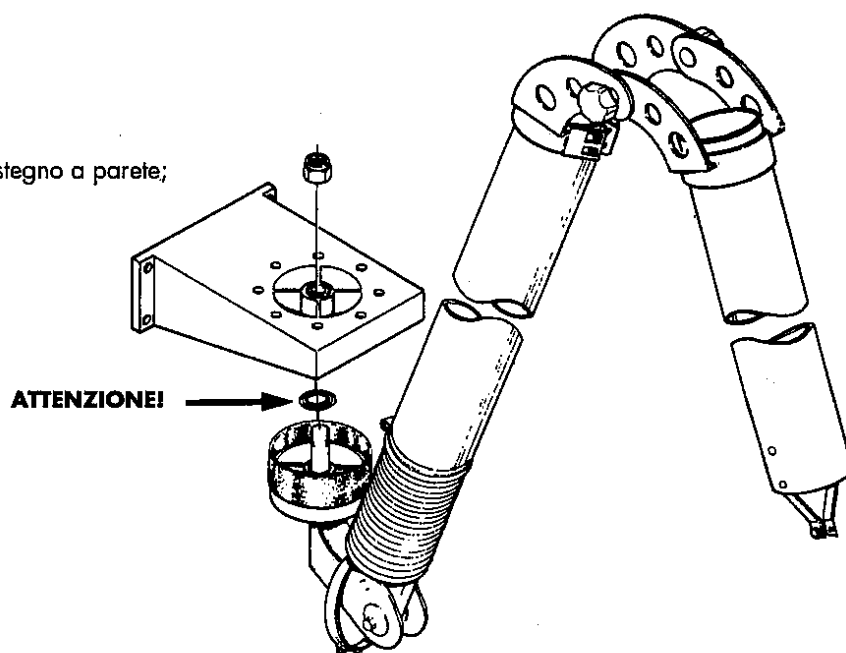
Altezza di montaggio consigliata
2,2 - 3 m dal pavimento



2. Collegare il braccio in
giunto snodato e adatt



3. Montare il braccio alla staffa di sostegno a parete;
ATTENZIONE => ranella !

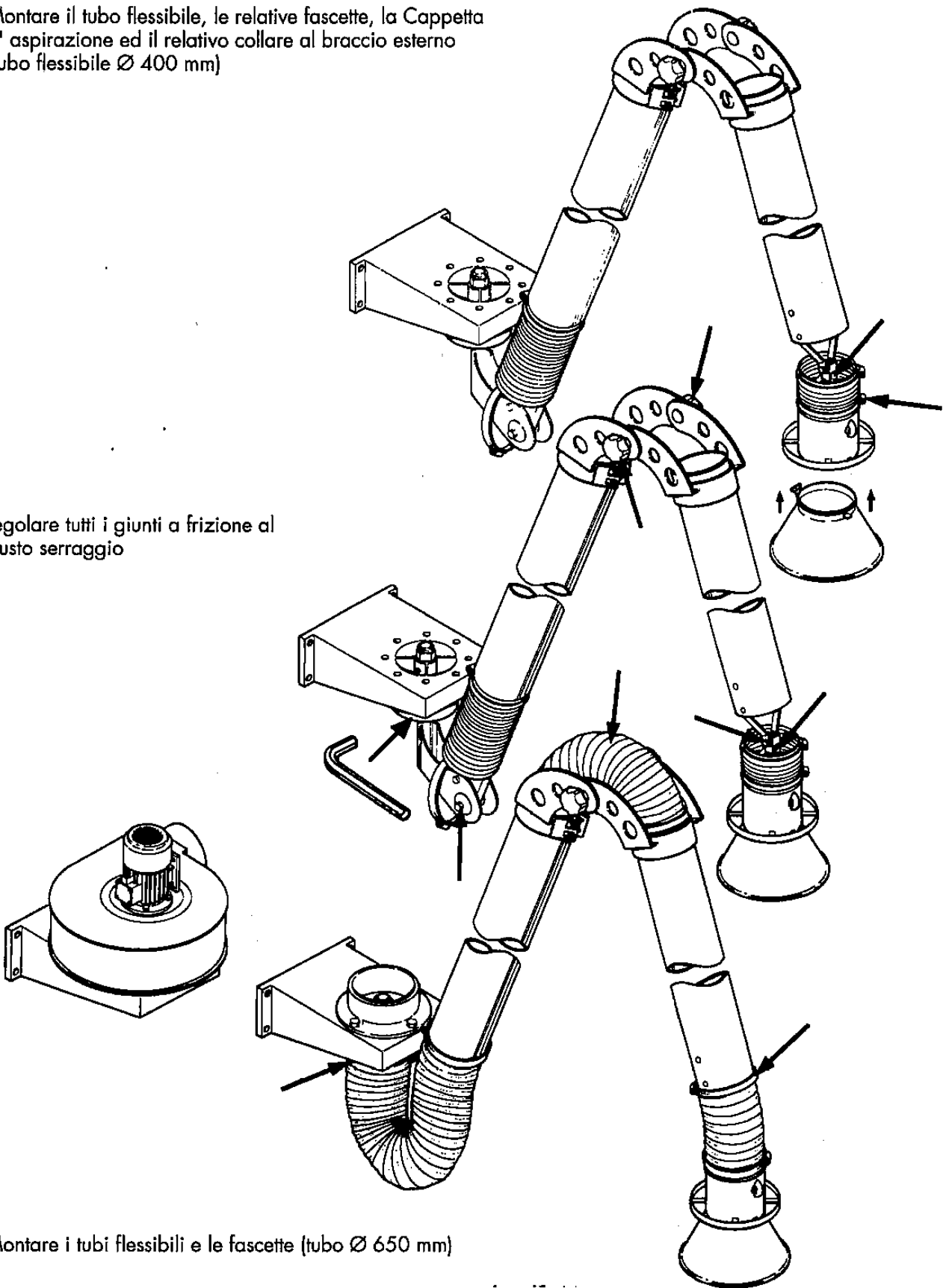


- 4.** Montare il tubo flessibile, le relative fascette, la Cappetta d' aspirazione ed il relativo collare al braccio esterno (tubo flessibile \varnothing 400 mm)

- 5.** Regolare tutti i giunti a frizione al giusto serraggio

- 6.** Montare i tubi flessibili e le fascette (tubo \varnothing 650 mm)

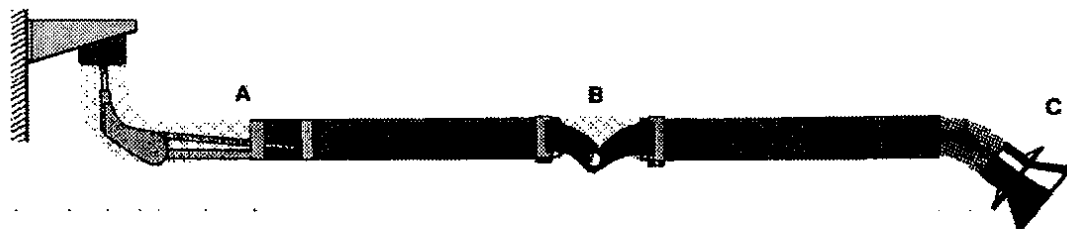
- 7.** Montare sulla staffa a parete o il raccordo a maniccotto o il ventilatore



MANUALE DELL' UTILIZZATORE

BRACCIO D' ASPIRAZIONE

© Copyright 1995: All rights reserved. Nothing from this publication may be reproduced, handed over, copied, or translated into other language, in any form or means without written permission from PlymoVent AB. PlymoVent AB reserves the right to make design changes without notice.

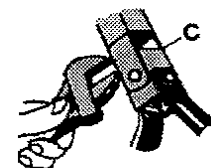


A Se il braccio non rimane nella posizione richiesta:

1. Allentare il tubo flessibile in A.
2. Estendere il braccio per tutta la sua lunghezza e disporlo orizzontalmente. Allentare il freno a frizione fino a che il braccio si inclini verso il pavimento. Serrare finché il braccio non scende più.
3. Se il braccio si sposta lateralmente con difficoltà o spontaneamente occorre fare delle registrazioni sul collare a frizione. Ciò si fa allentando o serrando la vite. Usare una chiave "allen".

B Se il braccio esterno non rimane nella posizione desiderata:

1. Posizionare il braccio esterno orizzontalmente. Allentare il freno a frizione finché il braccio tende a scendere verso il suolo. Serrarlo finché non tende più a scendere.



C Se la Cappetta d' aspirazione non rimane nella posizione desiderata:

1. Allentare il tubo flessibile in C
2. Regolare la frizione (vedere figura) fino a che la Cappetta d' aspirazione resta in posizione esatta.

DESCRIZIONE TECNICA

© Copyright 1995

Braccio d' aspirazione KUA su cuscinetti a sfere - verticale

Il braccio d' aspirazione KUA della Plymovent con giunti su cuscinetti a sfere è un aspiratore flessibile ed efficiente per polveri, fumi di saldatura, nebbie oleose, fumi causati da solventi etc. Ideale per la soluzione di diversi problemi. Il braccio interno e quello esterno sono accoppiati con un giunto a gomito montato esternamente per il quale abbiamo chiesto un certificato di brevetto. Questo giunto esterno viene regolato manualmente senza ausilio di utensili. Il giunto inferiore con molla, sostenuto da un doppio supporto di cuscinetti a sfere, permette al KUA movimenti articolati e regolari. Il KUA supera l' altezza di montaggio ed è girevole per 360°. Sia il braccio interno che quello esterno sono realizzati in tubazione leggera e levigata di alluminio. Questo non solo rende il braccio robusto, ma riduce anche il peso totale ed il livello di rumorosità, persino ad alte portate di aspirazione.

Fornitura

Il braccio di aspirazione viene fornito completo di un supporto a parete su cui si può direttamente installare l' eventuale ventilatore. Viene pure fornito un raccordo in tubo flex Ø 160 mm per il collegamento all' impianto centralizzato.

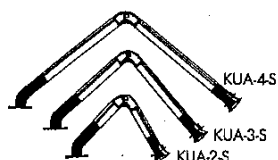
Vantaggi

- Facile manovrabilità grazie al montaggio su cuscinetti a sfere ed alla molla.
- La costruzione dei due tronchi del braccio in alluminio conferisce resistenza e leggerezza.

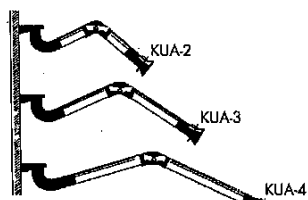


- Il giunto medio esterno semplifica le regolazioni
- L' impugnatura ad anello di facile presa permette un comodo posizionamento della cappelletta
- L' utilizzo di una staffa standard (PA-110, PA-220) per montaggio a soffitto, a pavimento ed a parete consente una facile installazione
- Estensione di 6 m con staffa PA-220
- Costruzione robusta

Dati Tecnici



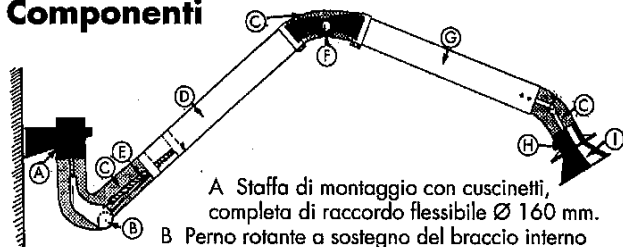
Modello verticale. Montaggio a flangia. Estensione a 2 m, 3 m e 4 m. Flangia inclusa.



Modello standard. Montaggio a parete con staffa. Estensione a 2 m, 3 m e 4 m. Staffa di sostegno inclusa.

Modello n.	Massimo raggio d' azione	Diametro mm tubo flex	Flusso d' aria mc/h raccomandato
KUA-2	2,0	160	800 - 1200
KUA-3	3,0	160	800 - 1200
KUA-4	4,0	160	800 - 1200
KUA-2-S	2,0	160	800 - 1200
KUA-3-S	3,0	160	800 - 1200
KUA-4-S	4,0	160	800 - 1200

Componenti

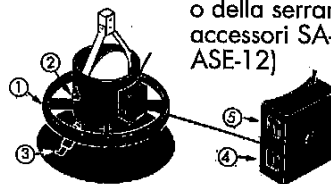


- A Staffa di montaggio con cuscinetti, completa di raccordo flessibile Ø 160 mm.
 B Perno rotante a sostegno del braccio interno completo di frizione
 C Tubo flessibile ignifugo realizzato in poliammide rivestito in PVC con spirale interna di acciaio.
 D Tubazione interna in alluminio
 E Molla di sostegno pretensionata
 F Giunto a gomito regolabile esternamente (depositata richiesta di brevetto)
 G Tubazione esterna in alluminio
 H Giunto universale con collare della cappelletta d' aspirazione e serranda di chiusura
 I Cappelletta metallica d' aspirazione; comprende una rete di protezione ed un collegamento a innesto rapido. Apertura della cappelletta Ø 300 mm. Impugnatura ad anello a 360° Ø 300 mm. N.B. La cappelletta può essere ruotata di 110° in tutte le direzioni.

Manovre

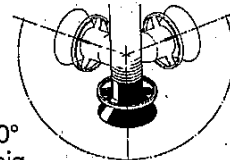
- 1 Impugnatura ad anello a 360° per il posizionamento della cappelletta. Può essere afferrata da ogni lato
- 2 Manopola di controllo della serranda

- 3 Sgancio rapido per una facile sostituzione del tubo di prolunga e della cappelletta
- 4 Interruttore luce (vedi accessori HL-20/24)
- 5 Interruttore manuale di comando del ventilatore o della serranda (vedi accessori SA-24, ES-90 o ASE-12)



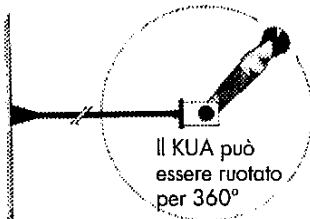
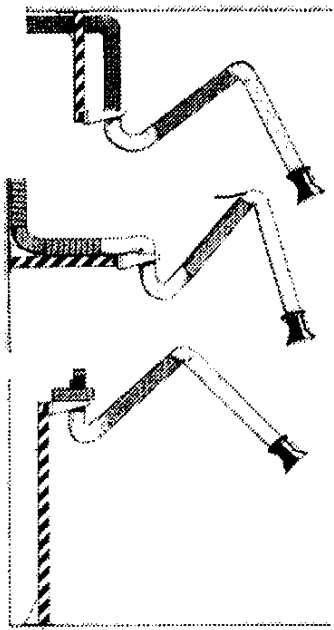
Operazioni della cappelletta di aspirazione

La cappelletta in metallo anodizzato, verniciata di nero, può ruotare di 110° in avanti, indietro e su tutti i lati. Ampia impugnatura ad anello a 360° Ø 300 mm.

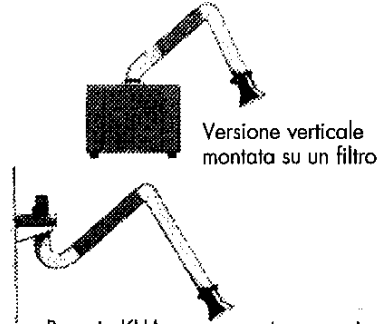


Esempi di montaggio

Braccio KUA con staffa PA-110 o PA-220

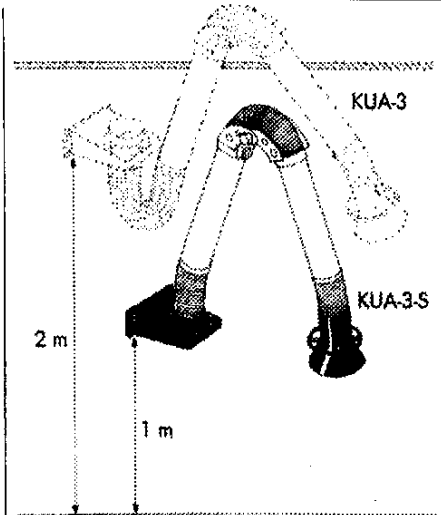


Il KUA può essere ruotato per 360°



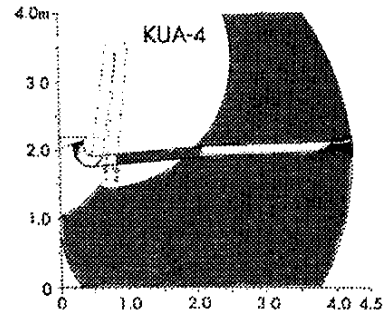
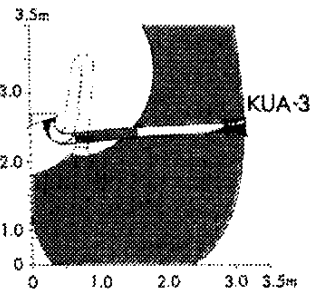
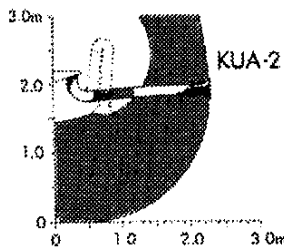
Versione verticale montata su un filtro

Braccio KUA con supporto a parete standard e ventilatore separato. (Il ventilatore è montato direttamente sul supporto a parete).

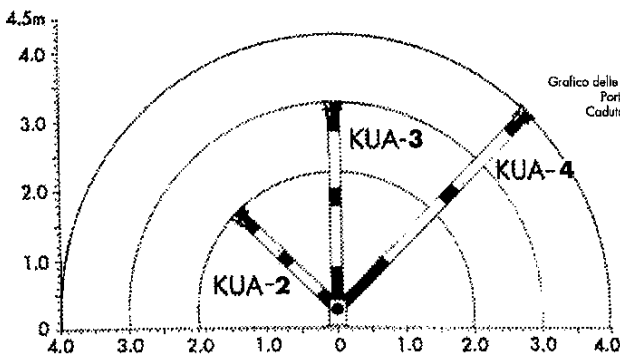


La versione verticale KUA-S può essere facilmente montata ad un livello più basso senza influenzare la portata (estensione) del braccio. Se il KUA-S deve essere montato a parete, la staffa di montaggio KUA-X-03 deve essere ordinata separatamente.

Raggio d' azione dei KUA-2-3-4



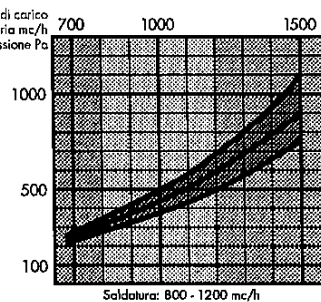
Estensione massima con KUA-2, -3, -4



Perdita di carico

Il sotto riportato diagramma di perdita di carico mostra la perdita di carico media attraverso i KUA. La caduta di pressione può variare nell' ambito dell' area ombreggiata.

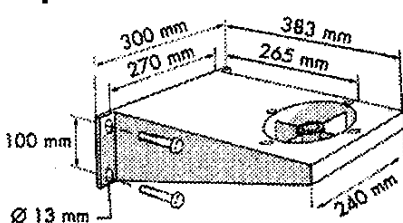
Grafico delle perdite di carico
Portata d' aria mc/h
Caduta di pressione Pa



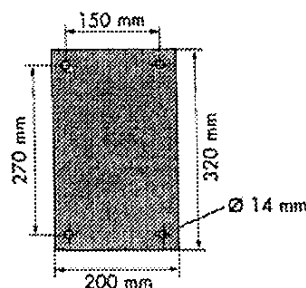
I seguenti parametri influenzano la caduta di pressione nei bracci KUA:

- 1 La lunghezza del braccio: 2, 3 o 4 m.
- 2 Il volume d' aria.
- 3 Le curve nel braccio.

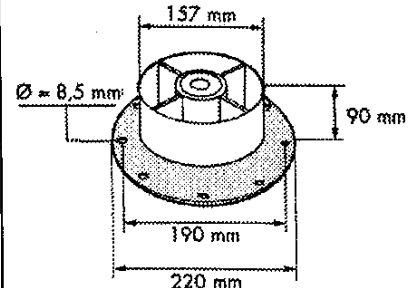
Supporto per montaggio a parete dei KUA



Piastra di montaggio PA-110, 220



Flangia di montaggio per il KUA-S

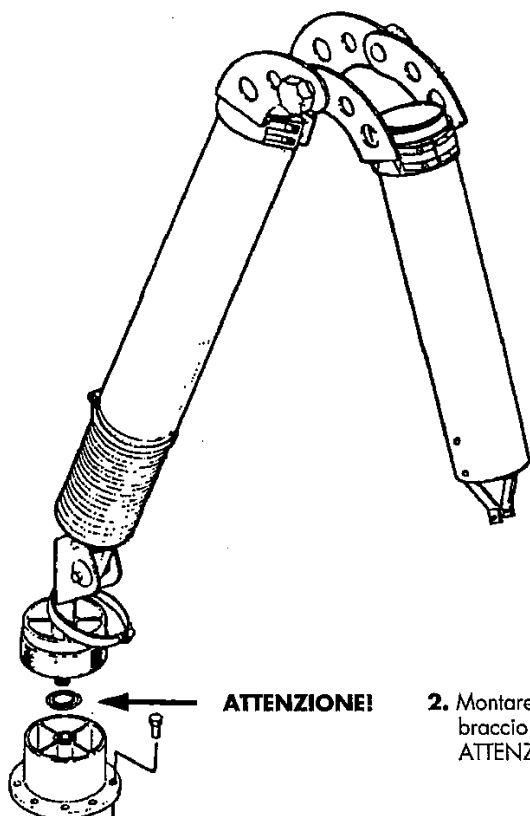
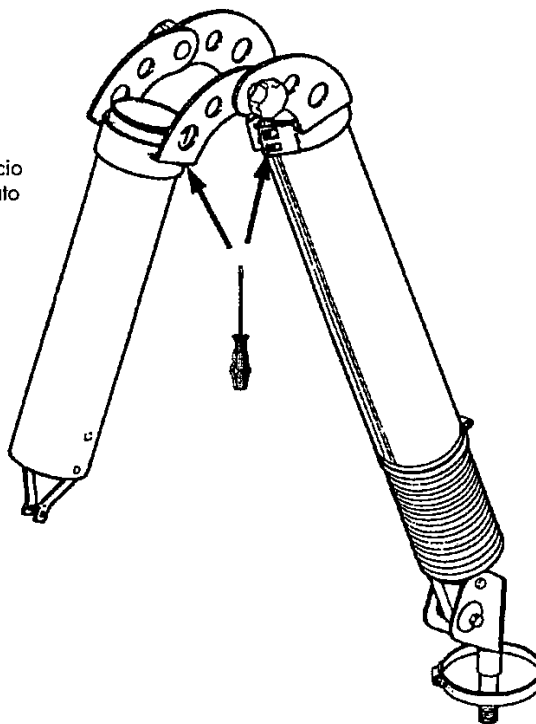


ISTRUZIONI DI MONTAGGIO

KUA-2, -3, -4-S

© Copyright 1995: All rights reserved. Nothing from this publication may be reproduced, handed over, copied, or translated into other language, in any form or means without written permission from PlymoVent AB. PlymoVent AB reserves the right to make design changes without notice.

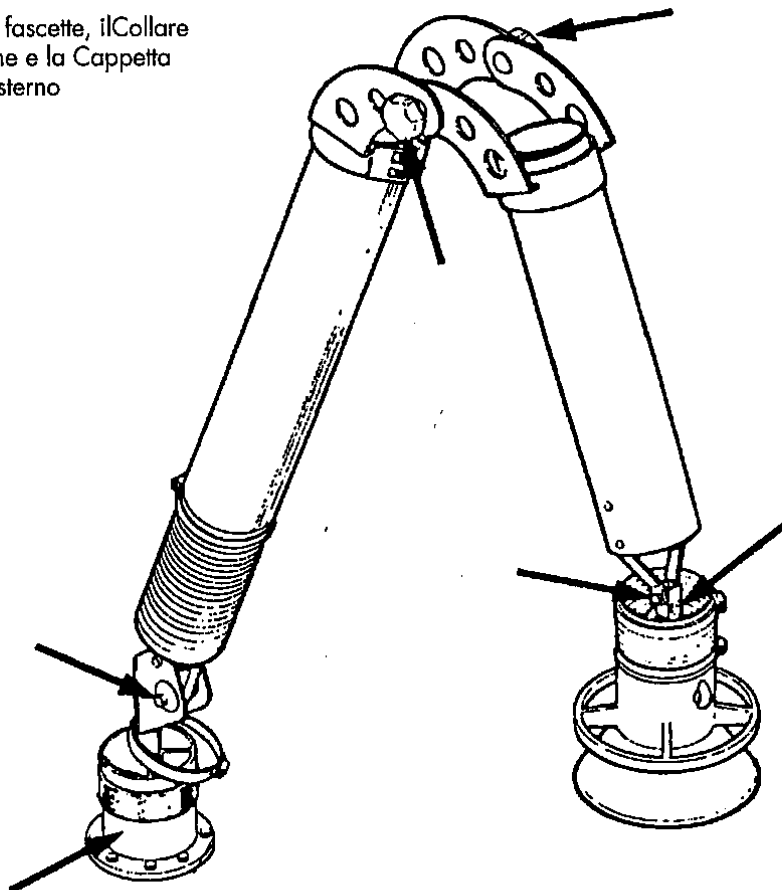
1. Collegare il braccio interno al braccio esterno per mezzo del giunto snodato



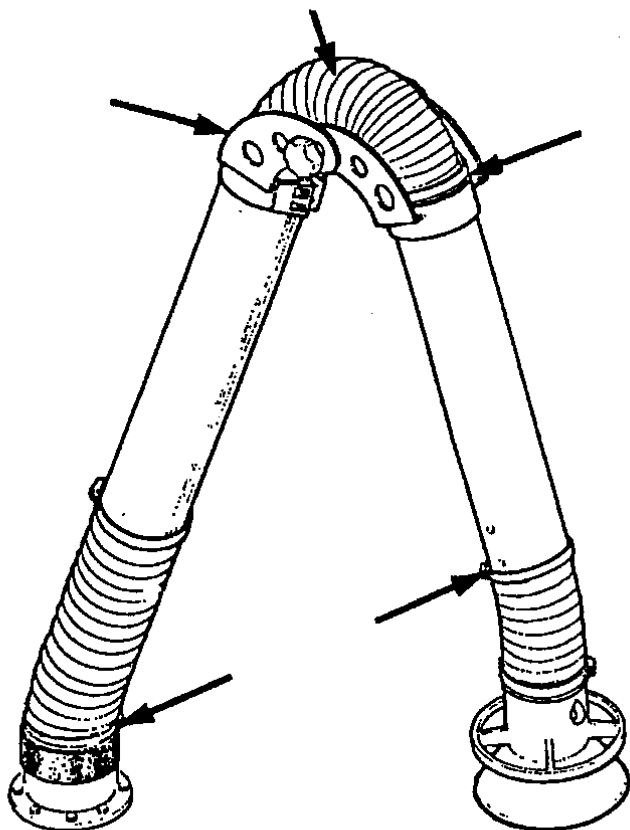
ATTENZIONE!

2. Montare la flangia sul filtro ed il collare di gomma sul braccio interno. Quindi montare il braccio sul filtro.
ATTENZIONE => rondella !

- 3.** Montare il tubo flessibile, le fascette, il Collare della cappetta d' aspirazione e la Cappetta d' aspirazione al braccio esterno (tubo flessibile \varnothing 400 mm)



- 4.** Registrare tutti i giunti a frizione con il corretto serraggio

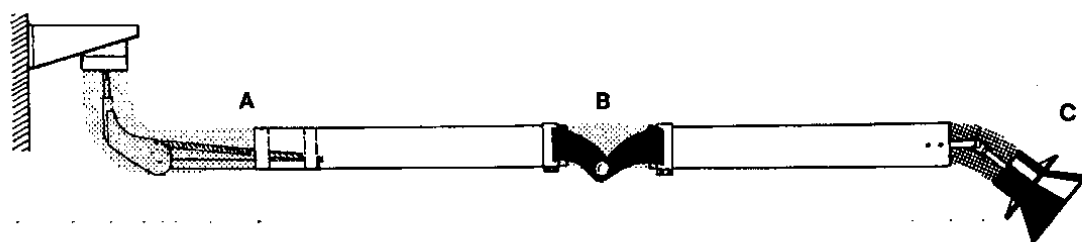


- 5.** Montare i tubi flessibili e le fascette (tubo \varnothing 650 mm)

MANUALE DELL'UTILIZZATORE

BRACCIO D'ASPIRAZIONE

© Copyright 1995: All rights reserved. Nothing from this publication may be reproduced, handed over, copied, or translated into other language, in any form or means without written permission from PlymoVent AB. PlymoVent AB reserves the right to make design changes without notice.

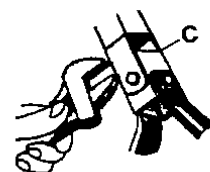


A Se il braccio non rimane nella posizione richiesta:

1. Allentare il tubo flessibile in A.
2. Estendere il braccio per tutta la sua lunghezza e disporlo orizzontalmente. Allentare il freno a frizione fino a che il braccio si inclini verso il pavimento. Serrare finché il braccio non scende più.
3. Se il braccio si sposta lateralmente con difficoltà o spontaneamente occorre fare delle regolazioni sul collare a frizione. Ciò si fa allentando o serrando la vite. Usare una chiave "allen".

B Se il braccio esterno non rimane nella posizione desiderata:

1. Posizionare il braccio esterno orizzontalmente. Allentare il freno a frizione finché il braccio tende a scendere verso il suolo. Serrarlo finché non tende più a scendere.

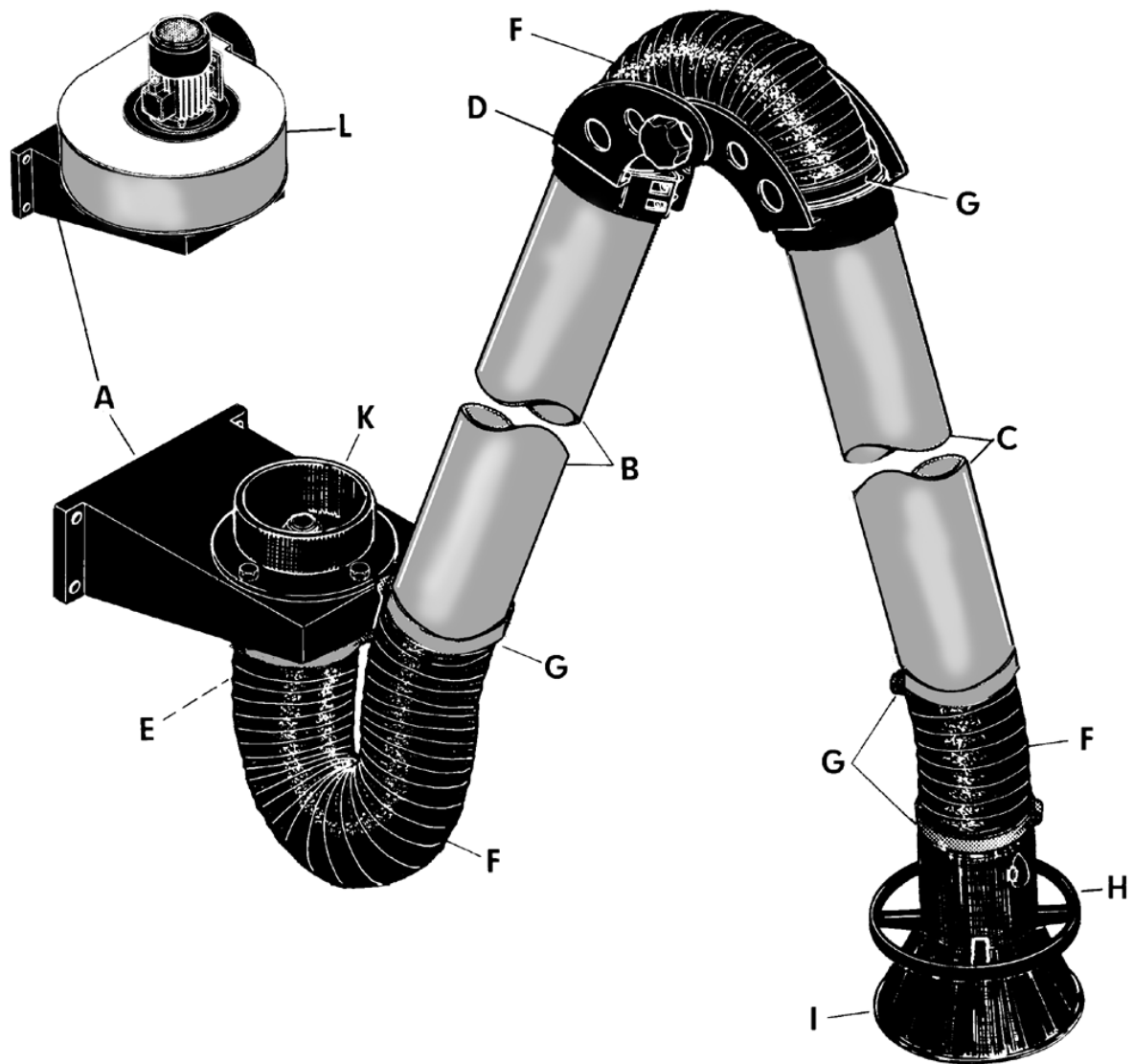


C Se la Cappetta d' aspirazione non rimane nella posizione desiderata:

1. Allentare il tubo flessibile in C
2. Regolare la frizione (vedere figura) fino a che la Cappetta d' aspirazione resta in posizione esatta.

MONTERINGSANVISNING

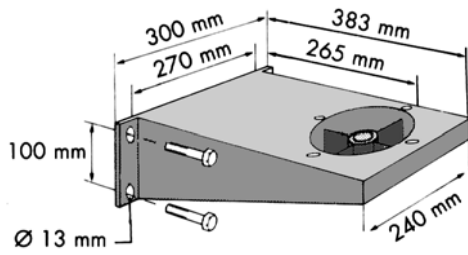
SUGEARM KUA-2, -3, -4.



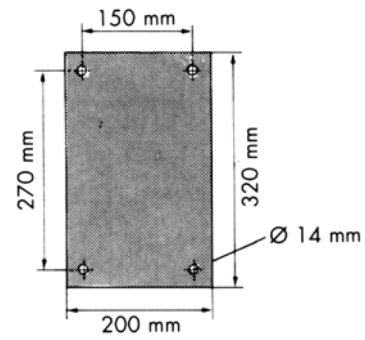
Pos. nr.	BESKRIVELSE	Pos. nr.	BESKRIVELSE
A	Monteringsbeslag	G	Spændebånd
B	Inderarm	H	Tragtfæste
C	Yderarm	I	Tragt
D	Knæled	K	Studs
E	Tætningsring	L	Ventilator
F	Slange		

Monteringsanvisning

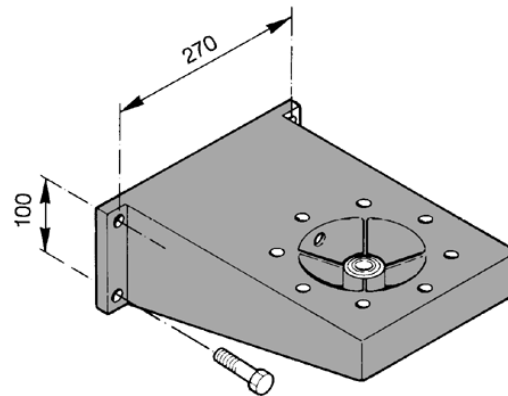
Vægfæste for KUA



Vægfæsteplade PA-110, 220

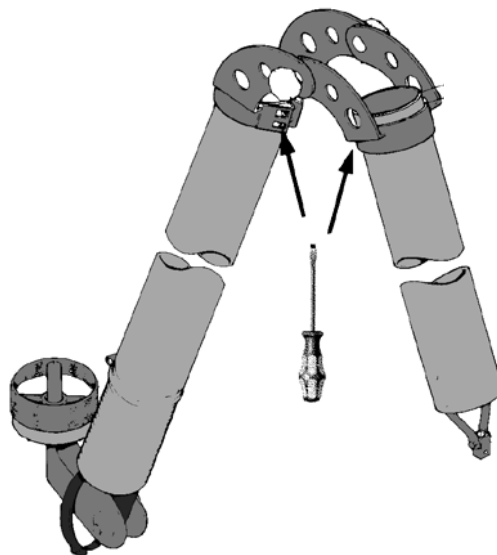


1. Monter vægfæstet på væggen.

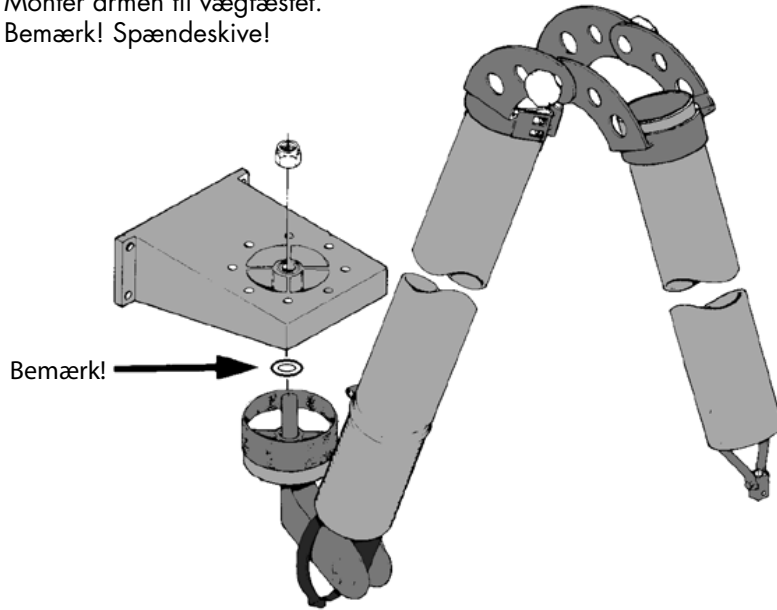


Anbefalet monteringshøjde: 2,2-3 m over gulvet.

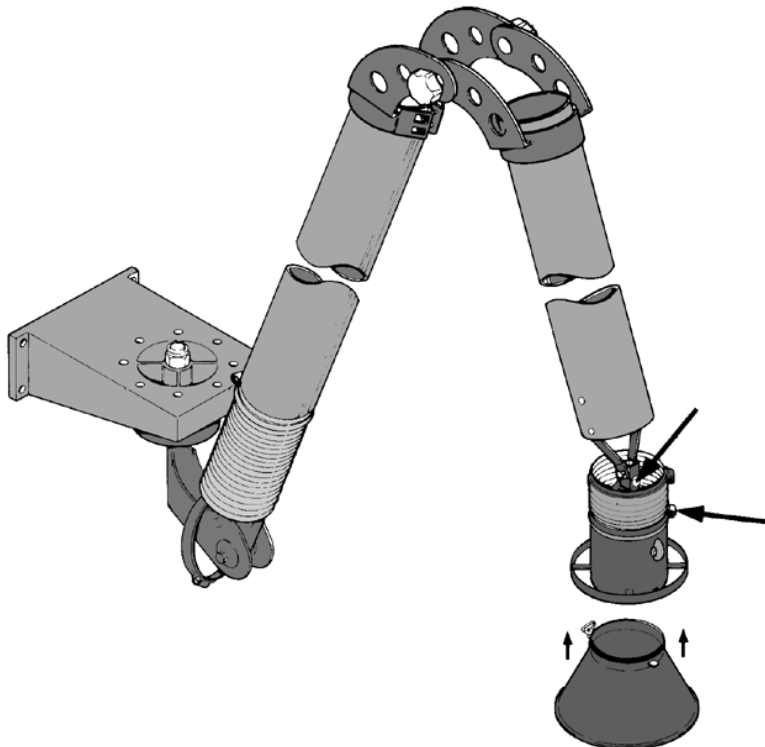
2. Fastgør inderarmen til yderarmen ved hjælp af knæled og tilpas tætningsringen til inderarmen.



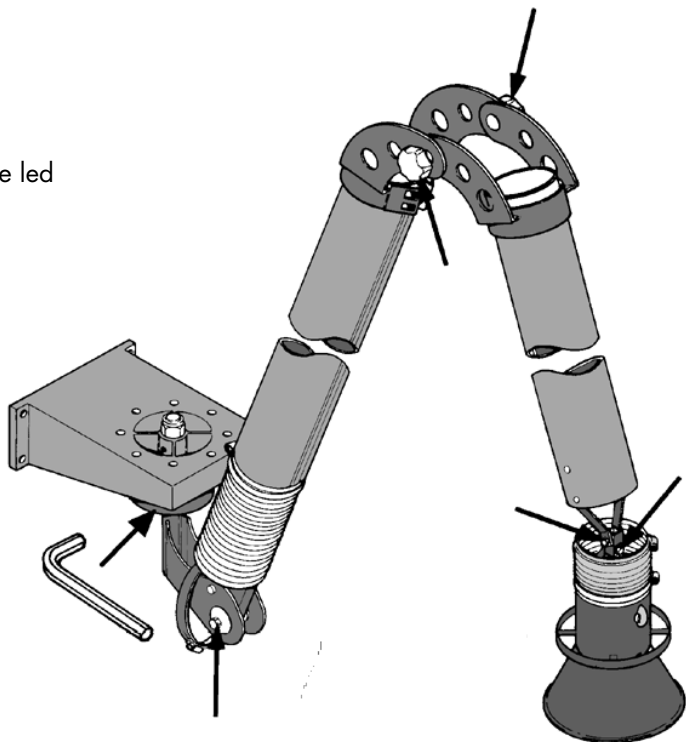
3. Monter armen til vægfæstet.
Bemærk! Spændeskive!



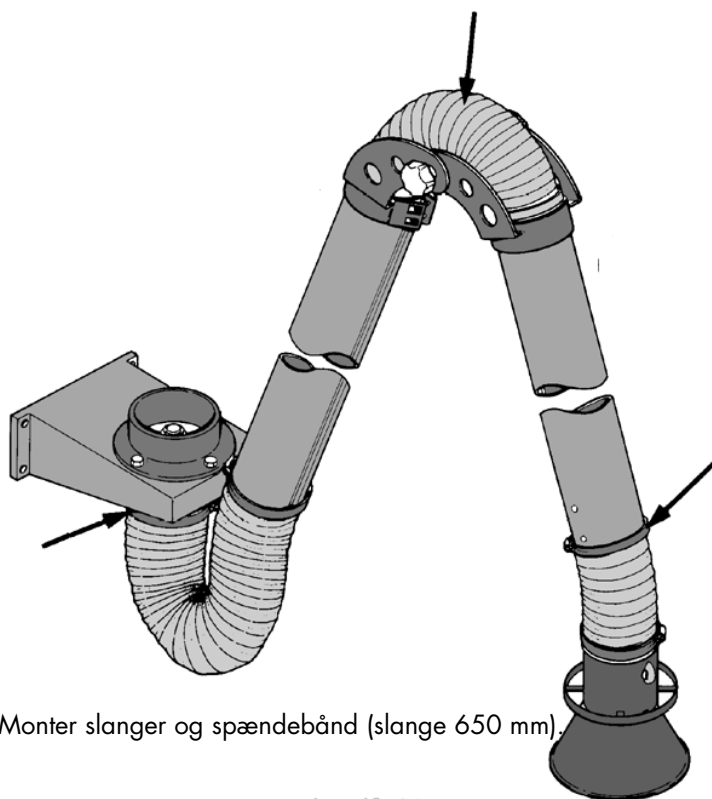
4. Monter slange, spændebånd, tragtfæste og tragt til yderarm (slange 400 mm).



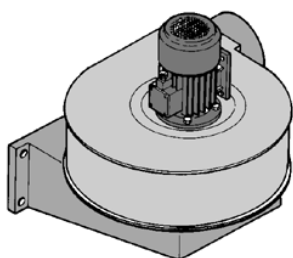
5. Juster samtlige led



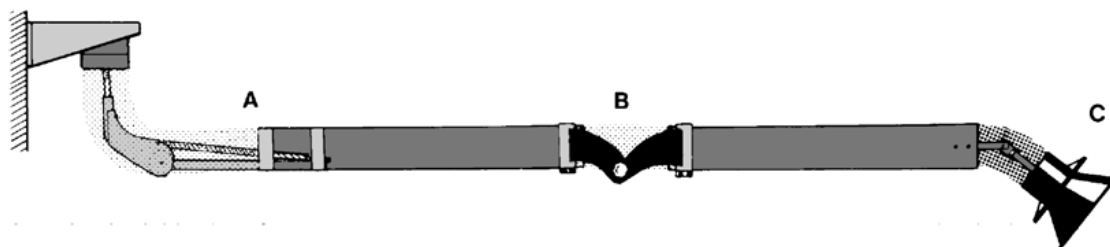
6. Monter slanger og spændebånd (slange 650 mm).



7. Monter studs eller ventilator på vægfæstet.

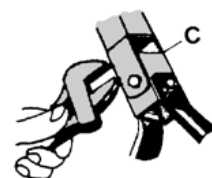


VEDLIGEHOLDELSERANVISNINGER



A. Hvis armen ikke vil forblive i den ønskede position:

1. Frigør slangen ved A.
2. Træk sugearmen vandret ud i fuld længde. Juster friktionsbremsen, indtil sugearmen begynder at synke mod gulvet. Spænd friktionsleddet, til armen ikke synker mere.
3. Hvis det er svært at flytte armen sidelæns, eller armen af sig selv bevæger sig sidelæns, skal friktionsbremsen ved vægfæstet justeres. Det gøres ved enten at stramme eller løsne skruen. Brug en umbraconøgle.



B. Hvis yderarmen ikke vil forblive i den ønskede position:

1. Placer yderarmen i vandret stilling. Juster friktionsbremsen, indtil armen begynder at synke mod gulvet. Spænd friktionsleddet, til armen ikke synker mere.

C. Hvis tragten ikke vil forblive i den ønskede position:

1. Frigør slangen ved C.
2. Juster friktion (se illustration) til tragten bliver på den præcise position.

TEKNISK BESKRIVELSE

© Copyright 1995

Kugeleleje udsugningsarm KUA - stående

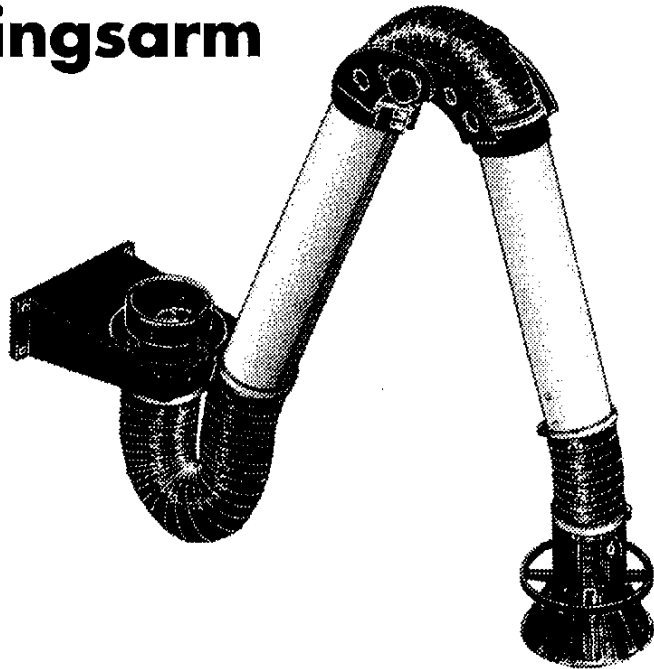
PlymoVent kugleleje udsugningarm - KUA er et meget fleksibelt og effektivt punktudsug for støv, svejserøg, lodderøg, olietåge, dampe fra opløsningsmidler etc. Ideelt for de fleste arbejdspladser. Yder- og inderarm forenes af et patentsøgt udenpåliggende mellemled. Dette "knækled" justeres uden brug af værktøj. Dobbelt kugleleje ophængt og fjederafloadede led giver KUA en let og trinløs indstilling. KUA når højt over sin egen monteringshøjde og er vridbar 360°. Både yder- og inderarm består af lette aluminiumsrør. Dette indebærer øget stabilitet i konstruktionen samt at totalvægten minimeres og lyd-niveauet bliver lavt - selv ved større luftmængder.

Leveres

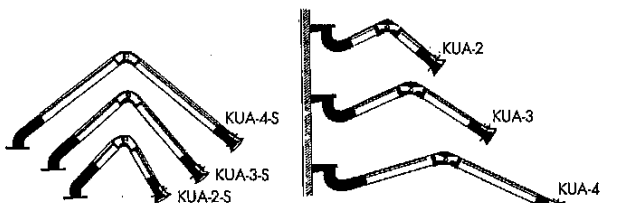
Armen leveres komplet med vægfæste for direkte montage af ventilator samt studs Ø 160 mm for tilslutning til centralsystem.

Fordele

- Nem at flytte takket være kuglelejer og stærk trækfjeder.
- Yder- og inderarm af aluminium giver øget stabilitet.
- Udvendig, letgængelig mellemled forenkler justering.
- Praktisk håndtag hele vejen rundt om tragt forenkler indstilling af denne.
- Standard stativer for tag-, gulv- og vægmontage. (tilbehør).
- Rækkevidde op til 6 m med vægstativ PA-110 eller PA-220.
- Robust konstruktion - lang livslængde.



Tekniske data

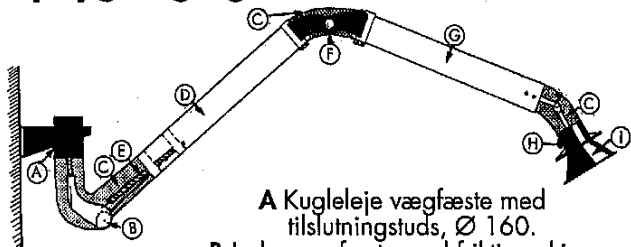


Stående flangetilslutning.
2 m, 3 m respektiv 4 m rækkevidde.
Incl. flange.

Standard for væg- og stativmontage.
2 m, 3 m respektiv 4 m rækkevidde.
incl. vægfæste

Model Best. nr.	Max. arbejds- radius	Slange diameter mm	Rek luft- mængde m ³ /h
KUA-2	2,0	160	800 - 1200
KUA-3	3,0	160	800 - 1200
KUA-4	4,0	160	800 - 1200
KUA-2-S	2,0	160	800 - 1200
KUA-3-S	3,0	160	800 - 1200
KUA-4-S	4,0	160	800 - 1200

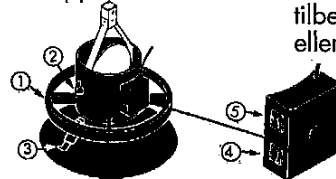
Opbygning og funktion



- A** Kugleleje vægfæste med tilslutningsstuds, Ø 160.
B Inderarmsfæste med friktionsskiver for indstilling af armens træghed.
C Gnistsikker slange af PVC-belagt polyamidvæv med indvendig stålspiral.
D Inderarmsrør af aluminium.
E Trækfjeder.
F Patentsøgt udenpåliggende justerbar knækled.
G Yderarm af aluminium.
H Tragt fæste med spjæld og universalled.
I Aftagbar sugetragt af stålplade med excenterlås.
 OBS! Tragten er vridbar 110° i alle retninger.
 Tragtåbning Ø 300 mm. Håndtag om tragt Ø 300 mm.

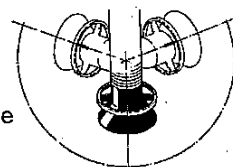
Manøvrering

1. Håndtaget for indstilling af tragtens position. Håndtaget nås hele vejen rundt om tragt.
2. Greb for indstilling af spjæld.
3. Excenterlås for udskiftning af tragt til forlængerslange.
4. Kontakt for belysning, se tilbehør HL-20/24.
5. Kontakt for manuel START/STOP af ventilator eller spjæld; se tilbehør SA-24, ES-90 eller ASE-12.



Tragtfunktion

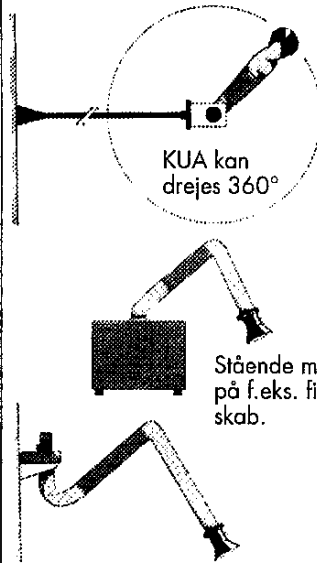
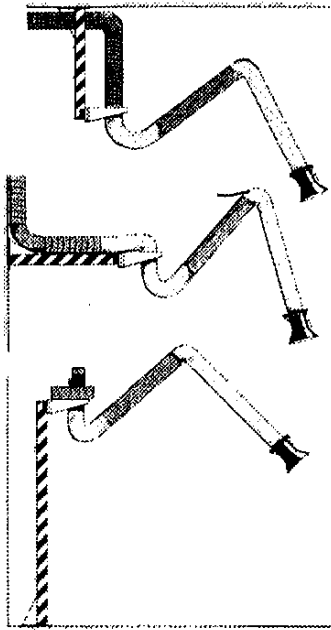
Tragt af pulverlakeret stålplade kan vrides 110° i alle retninger. Stort håndtag Ø 300 mm rundt om tragt.



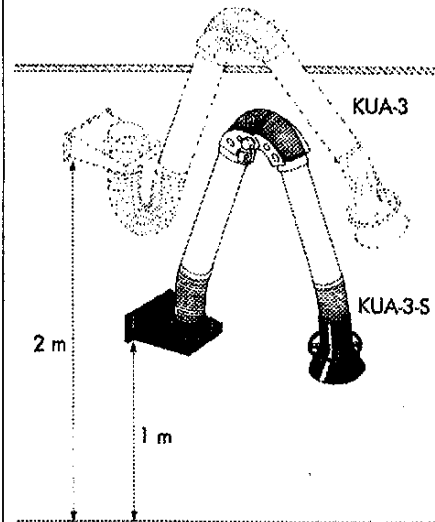
KUA-S/DK/1

Monteringseksempler KUA

KUA med stativ PA-110 eller PA-220

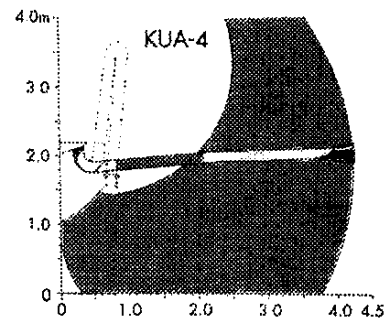
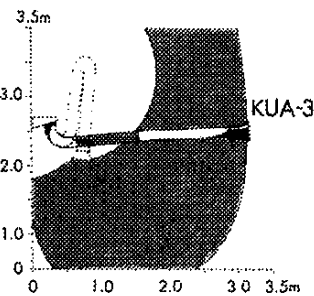
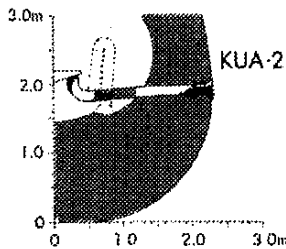


KUA med standard vægfæste og separat ventilator. (Ventilatoren monteres direkte på KUA's vægfæste.)

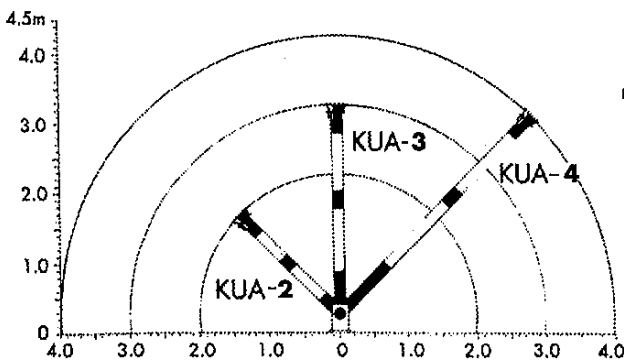


Den stående model KUA-S kan med fordel monteres lavere på væg uden at bevægeligheden ødelægges. Hvis KUA-S skal monteres på væg skal vægfæste KUA-X-03 bestilles separat.

Arbejdsområde KUA -2 -3 -4

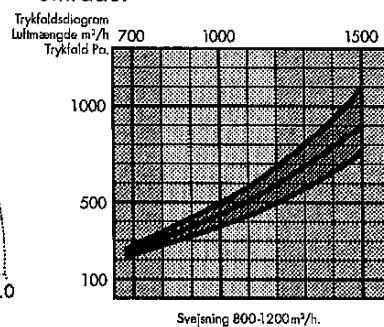


Maximal rækkevidde KUA -2 -3 -4



Trykfald

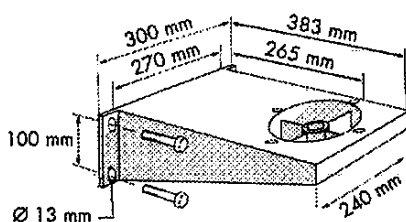
Nedenstående trykfaldsdiagram viser gennemsnitlig tryktab gennem KUA. Trykfaldet kan variere indenfor det mørke område.



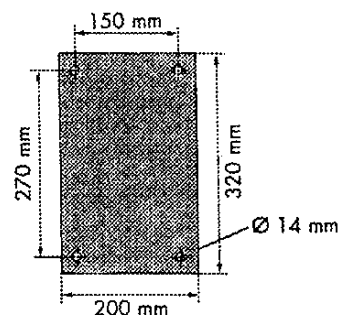
Følgende faktorer påvirker trykfaldet i KUA:

1. Armens længde: 2, 3 eller 4 m.
2. Luftmængden.
3. Antal af "knæk" på armen samt hvor vinklede disse er.

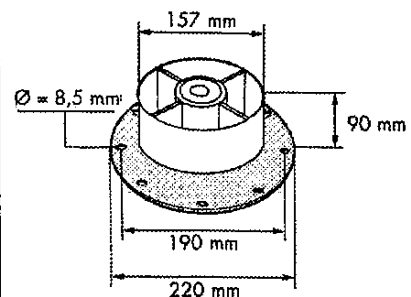
Vægfæste KUA



Vægfæste PA-110, 220



Flange KUA (kugleleje)

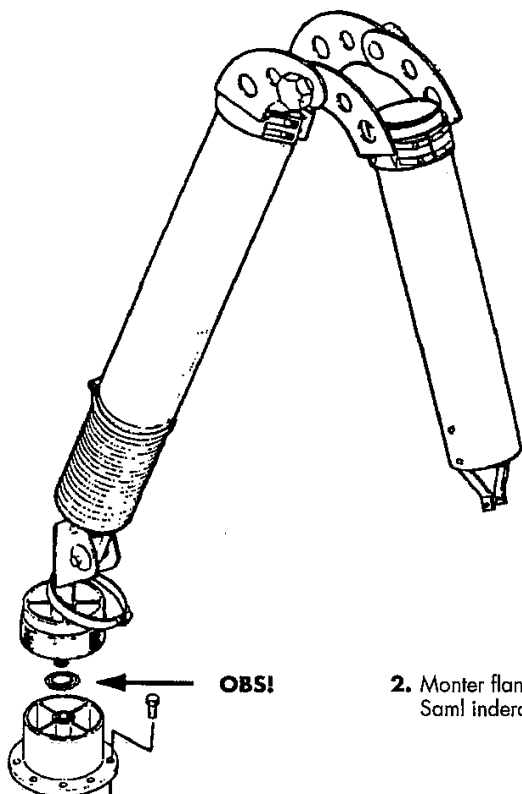
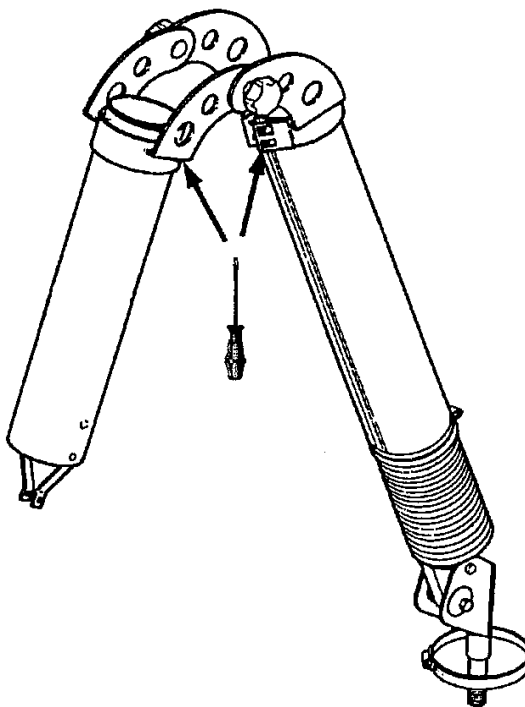


MONTAGEANVISNING

KUA-2, -3, -4-S

© Copyright 1995: All rights reserved. Nothing from this publication may be reproduced, handed over, copied, or translated into other language, in any form or means without written permission from PlymoVent AB. PlymoVent AB reserves the right to make design changes without notice.

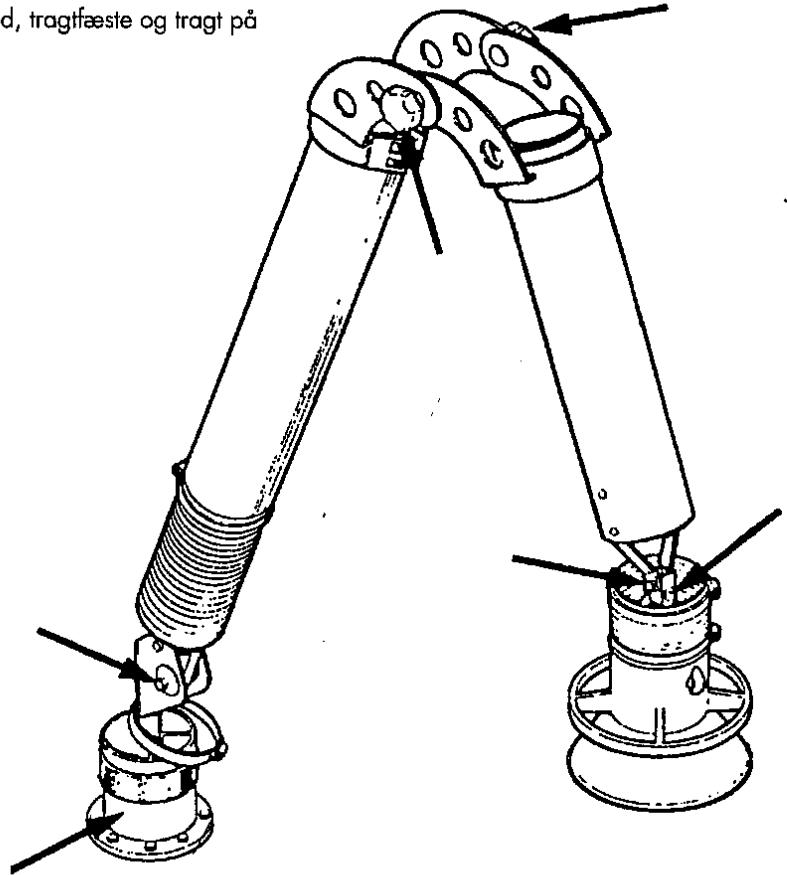
1. Saml inderarm, led og yderarm



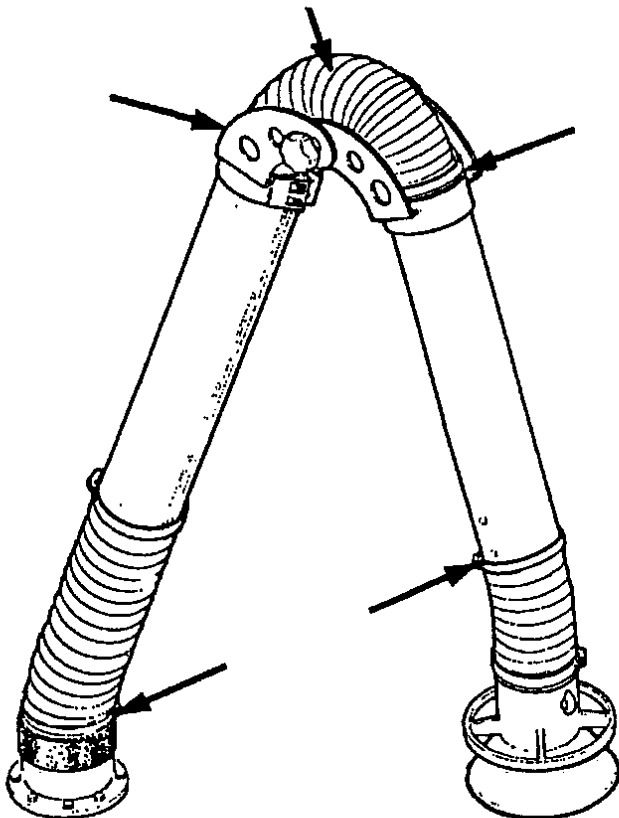
OBS!

2. Monter flange på filteret samt tætningsring på inder arm
Saml inderarm og filter OBS! Afstandsskive

3. Monter slange, spændebånd, tragtæste og tragt på yderarm (slange 400 mm)



4. Juster samtlige led

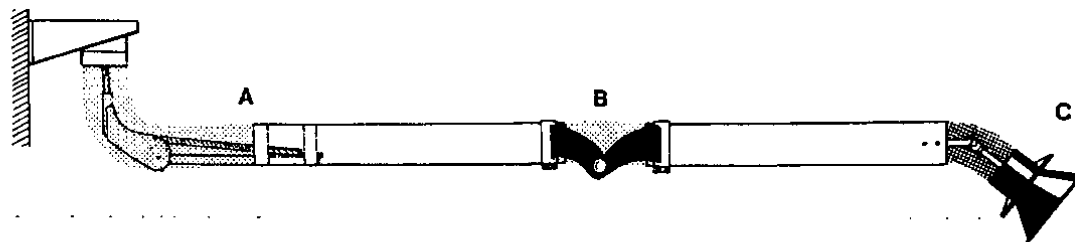


5. Monter slanger og spændebånd (slange 650 mm)

BRUGERMANUAL

KUGLELEJE UDSUGNINGSARM KUA-2,-3,-4

© Copyright 1995: All rights reserved. Nothing from this publication may be reproduced, handed over, copied, or translated into other language, in any form or means without written permission from PlymoVent AB. PlymoVent AB reserves the right to make design changes without notice.



A Hvis armen ikke forbliver i ønsket position:

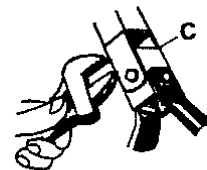
1. Frigør slangen ved A.
2. Træk sugearmen vandret ud i sin fulde længde. Juster til armen har tendens til at bøje eller sunke mod gulv. Spænd friktionsled til armen ikke bøjer/sunker.
3. Forbliver armen ikke på ønsket position eller uprovokeret bevæger sig sidelæns. Juster friktionsbremse ved vægfæste. Anvend unbraconøgle.

B Hvis yderarm ikke forbliver på ønsket position:

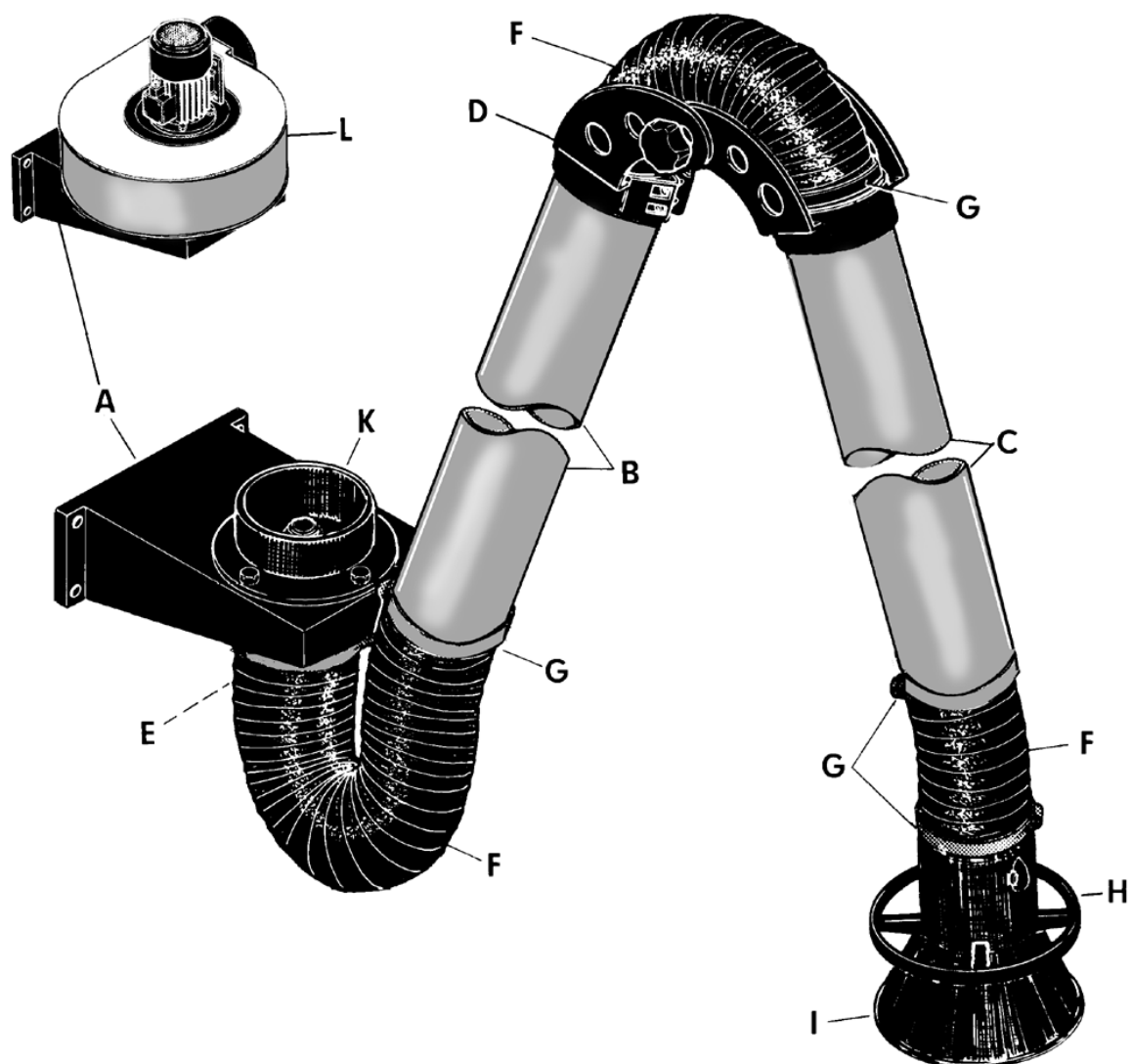
1. Placer yderarm i vandret stilling. Juster yderarm til denne har tendens til at ville sunke mod gulv. Juster friktionsled til yderarmen ikke sunker.

C Hvis tragten ikke forbliver på ønsket position:

1. Frigør slangen ved C.
2. Juster friktion (se figur) til tragten forbliver på eksakt position.



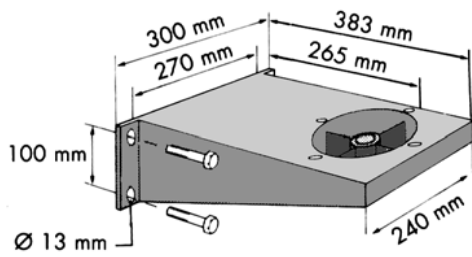
MONTAGEANVISNING



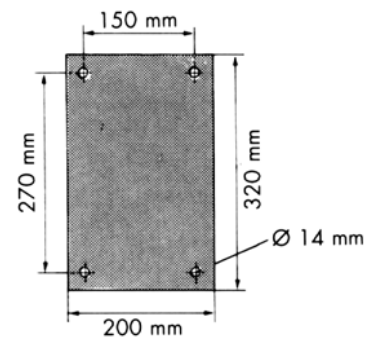
Pos. nr.	BENÄMNING	Pos. nr.	BENÄMNING
A	Väggfäste	G	Klammer
B	Innerarm	H	Trattfäste
C	Ytterarm	I	Tratt
D	Led	K	Stos
E	Tätningring	L	Fläkt
F	Slang		

Montageanvisning

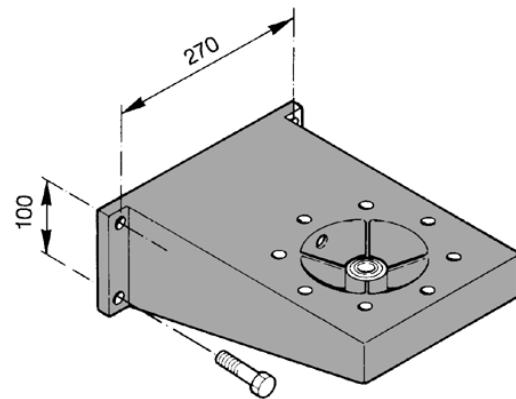
Väggfäste KUA



Fästplatta PA-110, 220

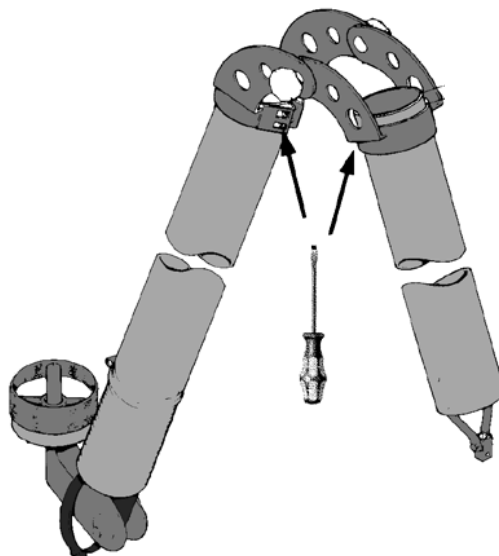


1. Montera väggfästet på väggen.

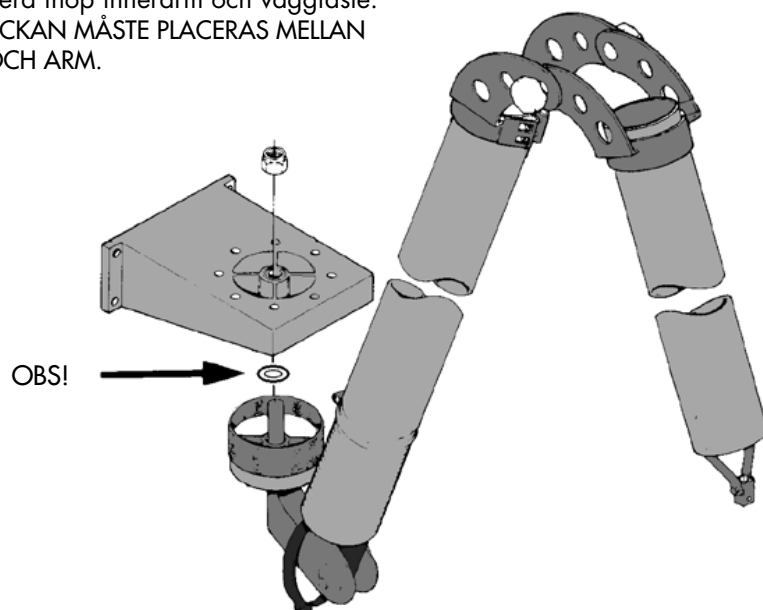


Monteringshöjd över golv 2,0–3,0 m.

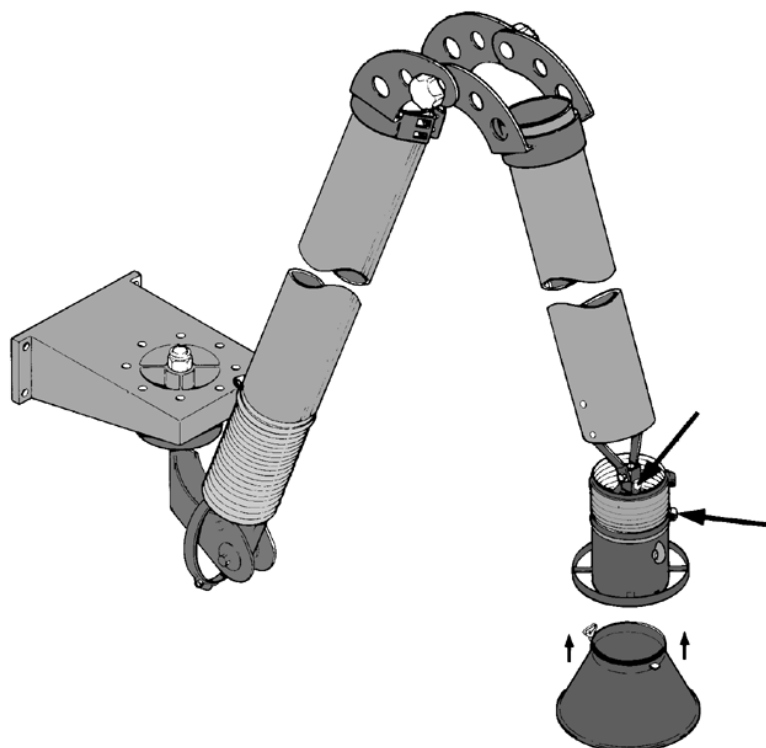
2. Montera ihop innerarm, led, ytterarm och tätningsring.



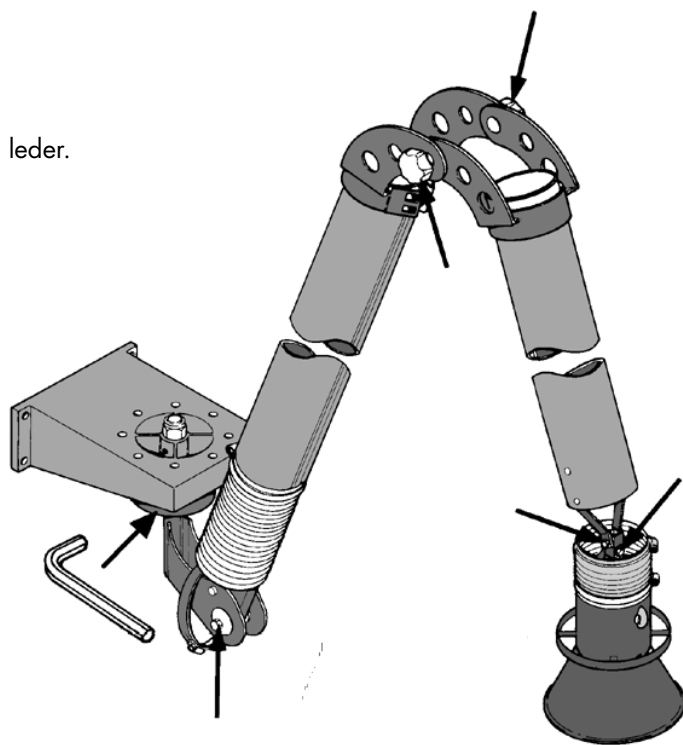
3. Montera ihop innerarm och väggfäste.
OBS! BRICKAN MÅSTE PLACERAS MELLAN
FLÄNS OCH ARM.



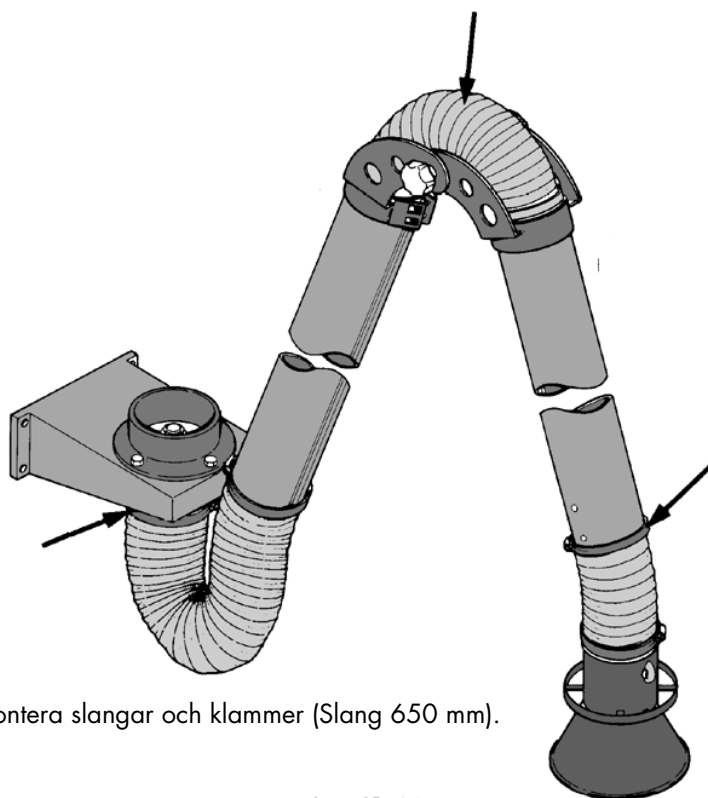
4. Montera slang, klammer, trattfäste och tratt till ytterarmen (Slang 400 mm).



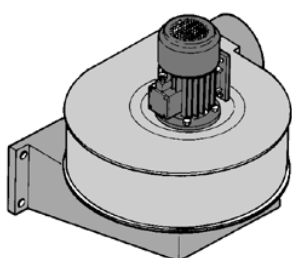
5. Justera samtliga leder.



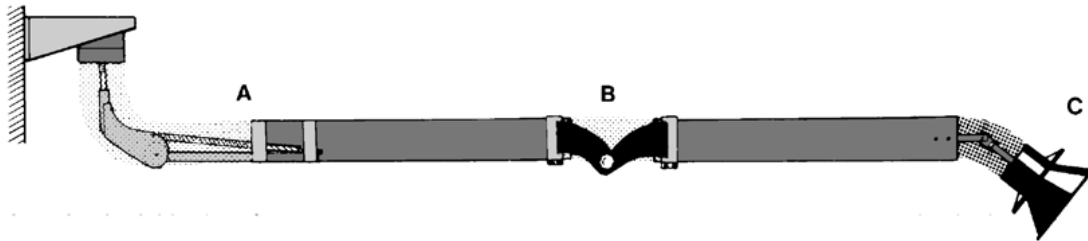
6. Montera slangar och klammer (Slang 650 mm).



7. Montera stös eller fläkt på väggfästet.

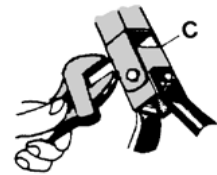


SKÖTSELANVISNING



A. Om armen ej stannar i önskat läge:

1. Lossa slangen vid A.
2. Dra ut utsuget i sin fulla längd och vinkla det vågrätt. Justera därefter till dess att armen har tendens att börja sjunka mot golvet, drag åt ytterst lite och justeringen är klar.
3. Om inte armen stannar i exakt läge efter förflyttning sidledes, drag åt friktionsbromsen som sitter i väggfästet, använd insexnyckel.



B. Om yttre armen ej stannar i önskat läge:

1. Vinkla yttre armen vågrät. Justera därefter till dess att armen har tendens att börja sjunka mot golvet, drag åt ytterst lite och justeringen är klar.

C. Om tratten ej stannar i önskat läge:

1. Lossa slangen vid C.
2. Justera friktionen enl. bild till dess att tratten stannar i exakt position.

TEKNISK BESKRIVNING

Kullagrad utsugsarm - Stående KUA-S

© Copyright 2008 Alla rättigheter förbehålles. Inget ur denna trycksak får reproduceras, överlätas, kopieras eller översättas, i någon form eller med några medel utan skriftligt godkännande av Plymovent AB. Plymovent AB förbehåller sig rätten till konstruktionsändringar.

KUA - Stående

PlymoVent kullagrade utsugsarm – KUA-S är ett mycket flexibelt och effektivt punktutdrag för damm, svetsrök, lödrök, oljedimma, ångor från lösningsmedel etc. Idealiskt för anslutning direkt på filter med stående montage. Den yttre och inre armen förenas med en patentsökt utanpåliggande mellanled. Denna "knäled" justeras direkt utan verktyg. Dubbla kullagerupphängda och fjäderavlastade leder ger KUA-S en mjuk och steglös inställning. KUA-S når högt över sin egen monteringshöjd och är vridbar 360°. Både ytter- och innerarm består av lätt, släta aluminiumrör. Det innebär ökad stabilitet i konstruktionen samt att totalvikten minimeras och ljudnivån blir låg – även vid stora luftmängder.

Leverans

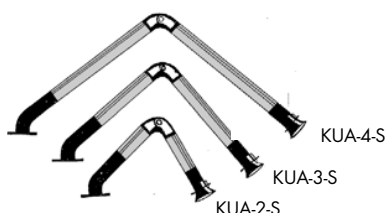
Armen levereras komplett med anslutningsfläns.

Fördelar

- Lätt att flytta tack vare kullager och starka dragfjädrar.
- Inner- och ytterarm av aluminiumrör ger ökad stabilitet.
- Utvändigt, lättåtkomligt mellanled förenklar justering.
- Lättgreppad handtagsring förenklar inställning av tratten.
- Standardpelare för tak-, golv- och väggmontage underlättar monteringen.
- Räckvidd upp till 6 m med väggpelare PA-110 eller PA-220.
- Robust konstruktion – lång livslängd.



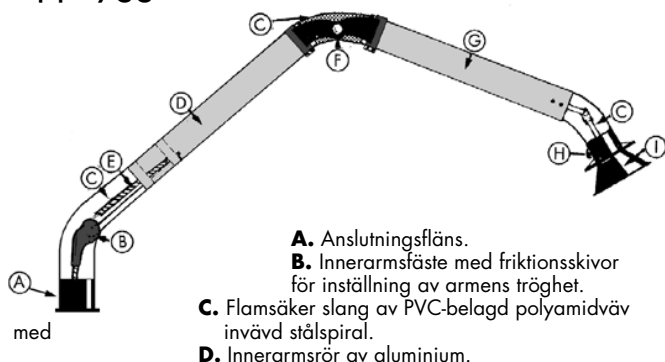
Tekniska data



Stående flänsanslutna.
2 m, 3 m respektive 4 m
räckvidd. Inkl. fläns.

Prod. nr.	Max. aktionsradie meter	Slang diameter mm	Rek luftflöde m ³ /h
KUA-2-S	2,0	160	800 – 1200
KUA-3-S	3,0	160	800 – 1200
KUA-4-S	4,0	160	800 – 1200

Uppbyggnad och funktion



- A.** Anslutningsfläns.
B. Innerarmsfäste med friktionsskivor för inställning av armens tröghet.
C. Flamsäker slang av PVC-belagd polyamidväv invävd stålspiral.
D. Innerarmsrör av aluminium.

E. Dragfjäder.

F. Patentsökt utanpåliggande justerbar knäled.

G. Ytterarm av aluminium.

H. Trattfäste med avstängningsspjäll och universalled.

I. Nätförsedd sugtratt av stålplåt med excenterlås.

OBS! tratten är vridbar 110° åt alla håll.
Trattöppning Ø 300 mm. Handtagsring Ø 300 mm.

Manövrering

1. Handtagsring för inställning av trattens läge.

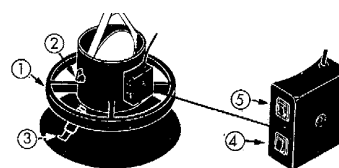
Kan nås från alla håll.

2. Vred för inställning av spjäll.

3. Excenterlås för byte från tratt till förlängningsslang.

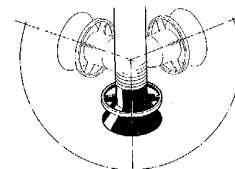
4. Strömbrytare för belysning; se tillbehör HL-20/24.

5. Strömbrytare för manuell START/STOPP av fläkt eller spjäll; se tillbehör SA-24, ES-90 eller ASE-12.



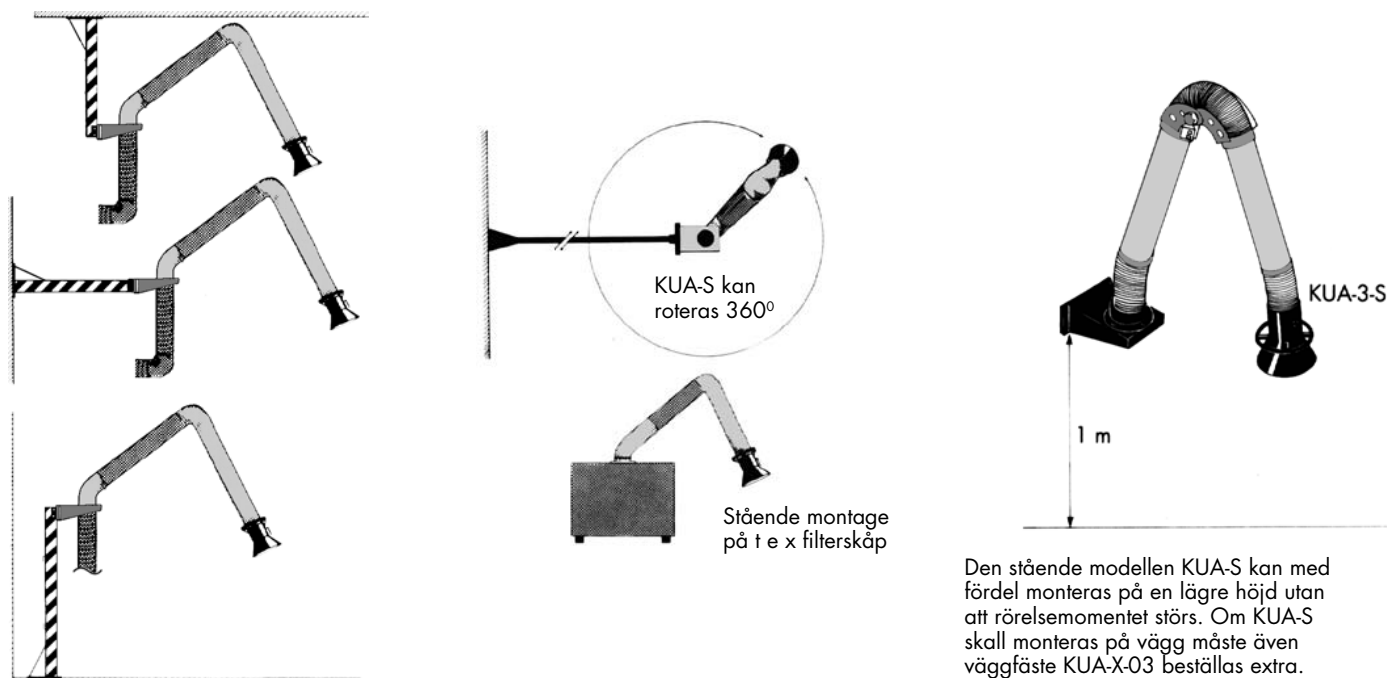
Trattfunktion

Tratten, av pulverlackerad stålplåt kan vridas 110° framåt, bakåt och åt sidorna. Stor handtagsring, Ø 300 mm.



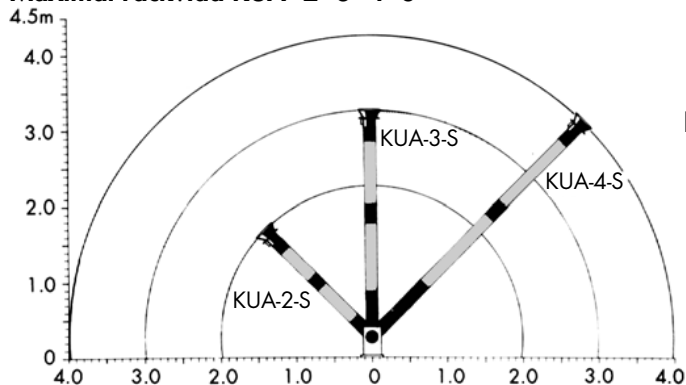
Monteringsexempel KUA-S

KUA-S med pelare PA-110 alt. PA-220



Arbetsområde KUA -2 -3 -4 -S

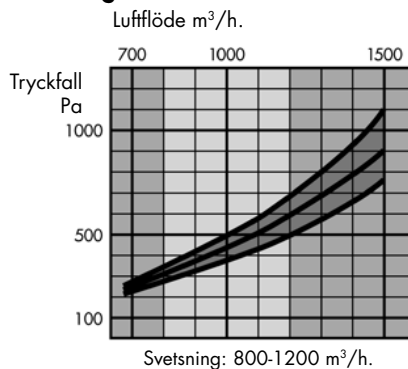
Maximal räckvidd KUA -2 -3 -4 -S



Tryckfall

Nedanstående tryckfallskurva visar genomsnittlig tryckförlust genom KUA-S. Tryckfallet kan variera inom skuggade fältet.

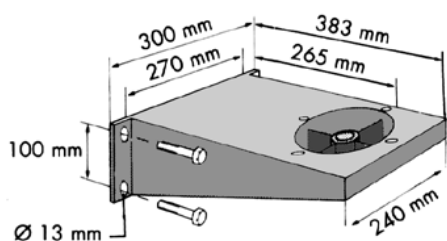
Flödesdiagram



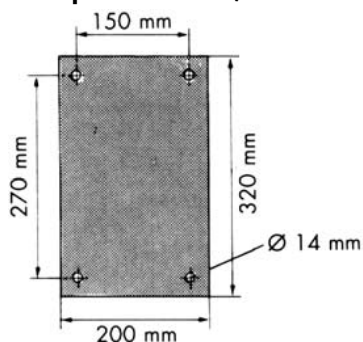
Följande faktorer påverkar tryckfallet i PlymoVent KUA-S:

1. Armens längd: 2, 3 eller 4 m.
2. Luftmängden.
3. Antalet böjar på armen samt hur skarpa dessa är.

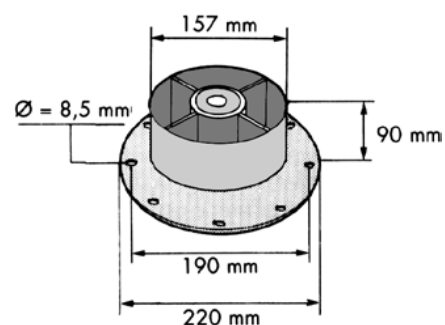
Väggfäste KUA-X-03



Fästplatta PA-110, 220



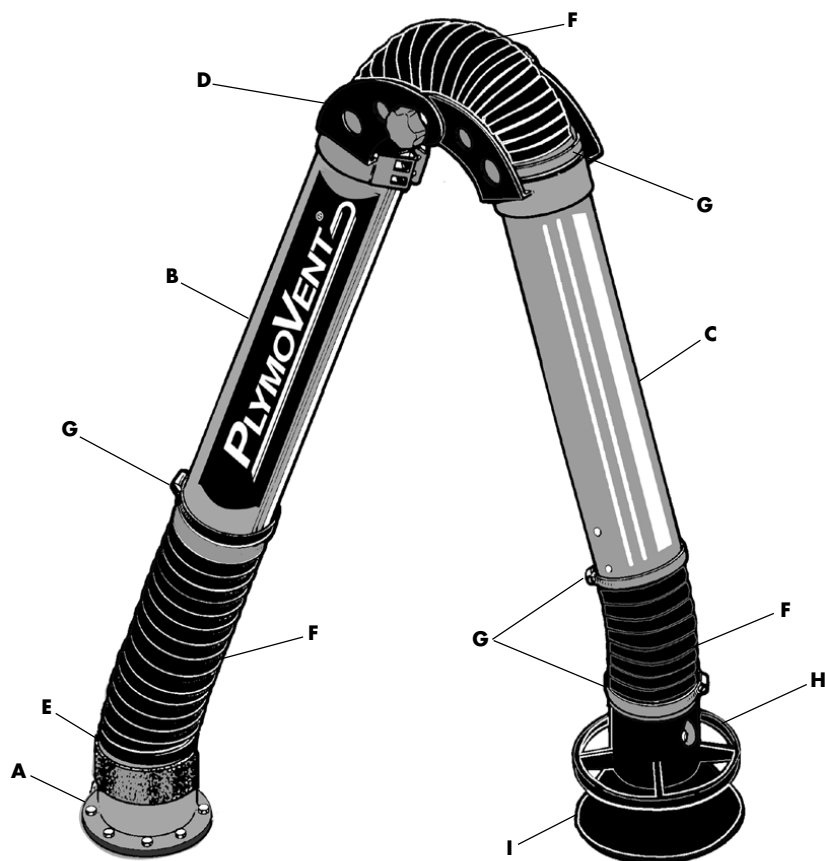
Fläns KUA-S (kullagrad)



MONTAGEANVISNING

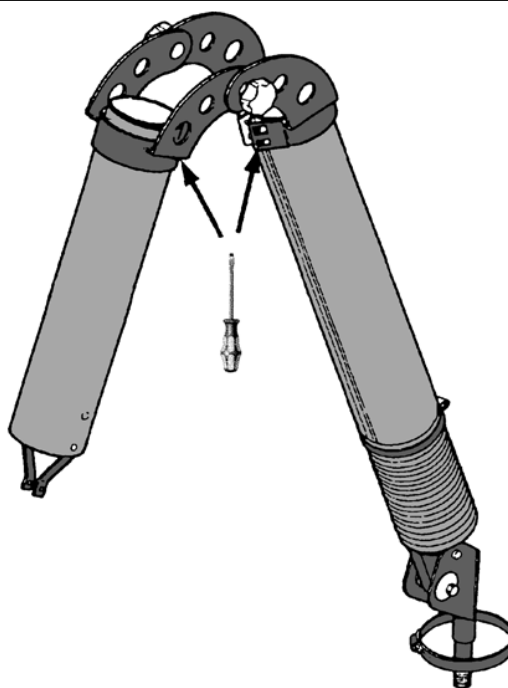
Kullagrad utsugsarm - Stående KUA-S

© Copyright 2008 Alla rättigheter förbehålles. Inget ur denna trycksak får reproduceras, överlätas, kopieras eller översättas, i någon form eller med några medel utan skriftligt godkännande av Plymovent AB. Plymovent AB förbehåller sig rätten till konstruktionsändringar.

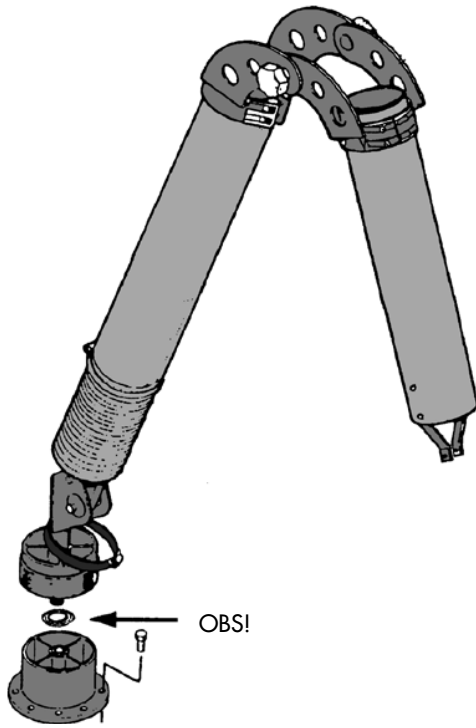


Pos. nr.	BENÄMNING
A	Anslutningsfläns
B	Innerarm
C	Ytterarm
D	Led
E	Tätningring
F	Slang
G	Klammer
H	Trattfäste
I	Tratt

Montageanvisning

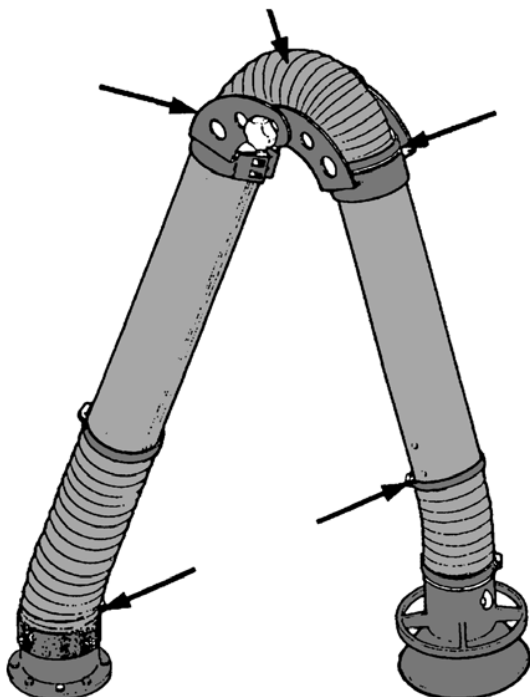
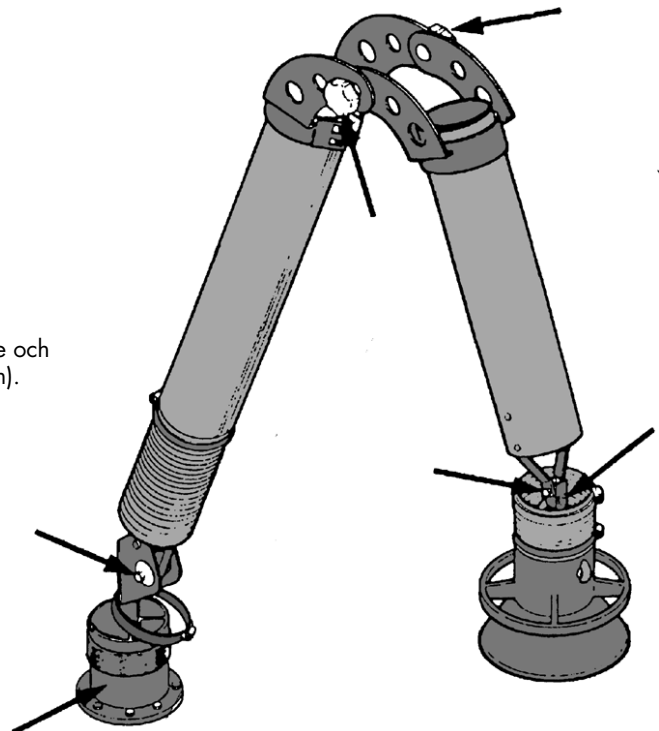


1. Montera ihop innerarm, led och ytterarm.



2. Montera fläns på filtret samt töningsring på innerarmen. Montera ihop innerarm och filter.
OBS! BRICKAN MÅSTE PLACERAS MELLAN FLÄNS OCH ARM.

3. Montera slang, klammer, trattfäste och tratt till ytterarmen (Slang 400 mm).



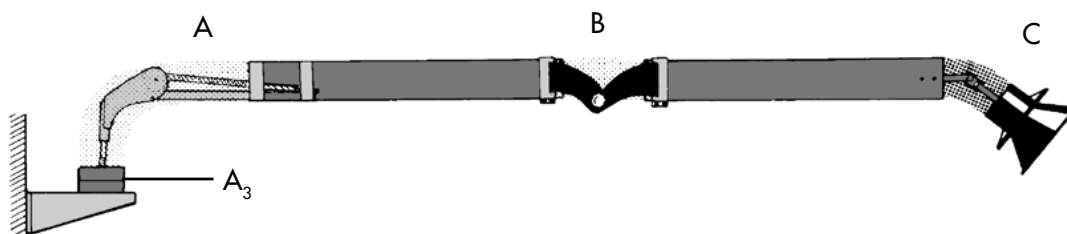
4. Justera samtliga leder.

5. Montera slangar och klammer (Slang 650 mm).

SKÖTSELANVISNING

Kullagrad utsugsarm - Stående KUA-S

© Copyright 2008 Alla rättigheter förbehålles. Inget ur denna trycksak får reproduceras, överlätas, kopieras eller översättas, i någon form eller med några medel utan skriftligt godkännande av Plymovent AB. Plymovent AB förbehåller sig rätten till konstruktionsändringar.



A. Om armen ej stannar i önskat läge:

1. Lossa slangen vid A.
2. Dra ut utsuget i sin fulla längd och vinkla det vågrätt. Justera därefter till dess att armen har tendens att börja sjunka mot golvet, drag åt ytterst lite och justeringen är klar.
3. Om inte armen stannar i exakt läge efter förflyttning sidledes, drag åt friktionsbromsen som sitter i anslutningsflänsen, använd insexnyckel.



B. Om yttre armen ej stannar i önskat läge:

1. Vinkla yttre armen vågrät. Justera därefter till dess att armen har tendens att börja sjunka mot golvet, drag åt ytterst lite och justeringen är klar.

C. Om tratten ej stannar i önskat läge:

1. Lossa slangen vid C
2. Justera friktionen enl. bild till dess att tratten stannar i exakt position.

TEKNISK BESKRIVNING

Kullagrad utsugsarm KUA-ATEX

© Copyright 2008 Alla rättigheter förbehålles. Inget ur denna trycksak får reproduceras, överlätas, kopieras eller översättas, i någon form eller med några medel utan skriftligt godkännande av PlymoVent AB. PlymoVent AB förbehåller sig rätten till konstruktionsändringar.

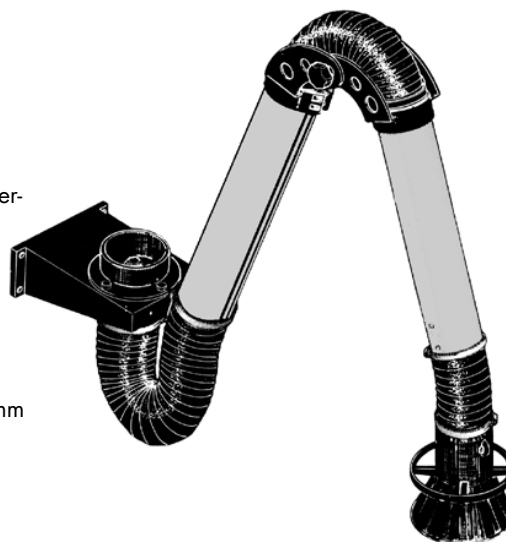
KUA-ATEX

PlymoVent kullagrade utsugsarm – KUA-ATEX är ett mycket flexibelt och effektivt punktutslag för användning i explosionsfarlig miljö. Den yttre och inre armen förenas med en patentsökt utanpåliggande mellanled. Denna "knäled" justeras direkt utan verktyg. Dubbla kullagerupphängda och fjäderavlastade leder ger KUA-ATEX en mjuk och steglös inställning. KUA-ATEX når högt över sin egen monteringshöjd.

Både ytter- och innerarm består av lätta, släta aluminiumrör. Det innebär ökad stabilitet i konstruktionen samt att totalvikten minimeras och ljudnivån blir låg – även vid stora luftmängder.

Leverans

Armen levereras komplett monterad inklusive väggfäste samt stös \varnothing 160 mm för anslutning till centralsystem.



ANVÄNDNINGSMÅRÅDE

Produkten är avsedd att användas i miljöer där explosiva luftblandningar, (gas, dimma, damm), kan förekomma.

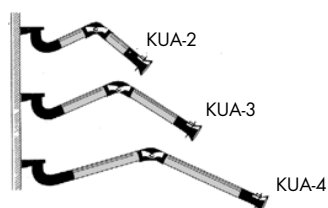
Produkten får bara användas i applikationer där rotationen är begränsad till $<360^\circ$.

VARNING!

Produkten får ej användas för utsugning av damm med *MIE-värde $<5\text{mj}$.

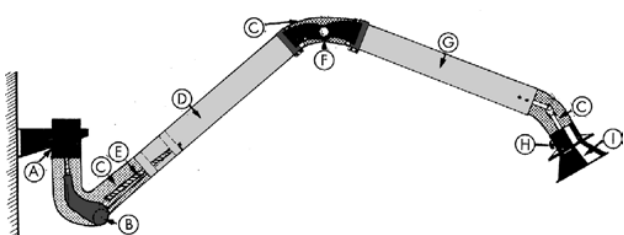
*MIE = Minimum Ignition Energy

Tekniska data



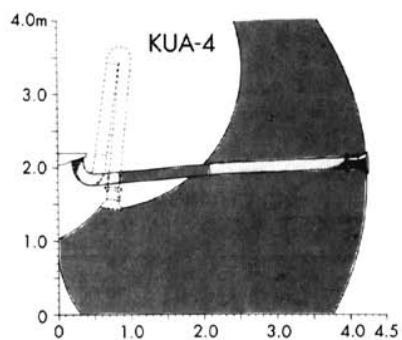
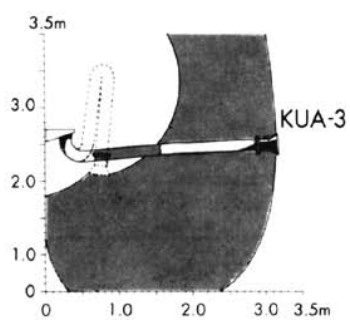
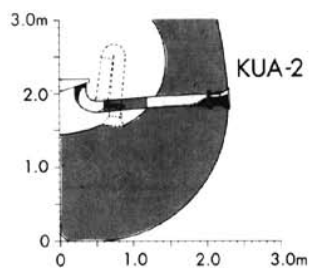
Längd:		Vikt:	Luftflöde:
KUA-2-ATEX	2m	20 kg	800-1200 m ³ /h
KUA-3-ATEX	3m	23,5 kg	800-1200 m ³ /h
KUA-4-ATEX	4m	25 kg	800-1200 m ³ /h
Diameter rör/slang	160mm		
Utrustningsgrupp	II		
Utrustningskategori	2		
Zon gas/lösningsmedel	1		
Zon, damm	21		
Användningstemperatur	Max. 90gr C		

Uppbyggnad och funktion

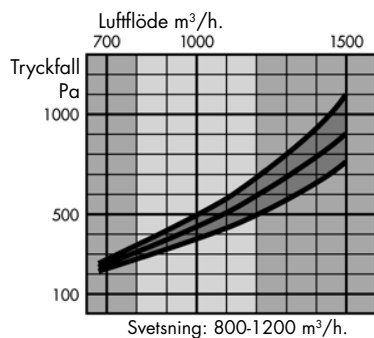


- A.** Kullagrat väggfäste med anslutningsstos, \varnothing 160.
 - B.** Innerarmsfäste med friktionskivor för inställning av armens tröghet.
 - C.** Antistatisk Polyuretanslang
 - D.** Innerarmsrör av aluminium.
 - E.** Dragfjäder.
 - F.** Patentsökt utanpåliggande justerbar knäled.
 - G.** Ytterarm av aluminium.
 - H.** Trattfäste med avstängningsspjäll och universalled.
 - I.** Nätförsedd sugtratt av stålplåt med excenterlös.
- Obs!** tratten är vridbar 110° åt alla håll.
Trattöppning \varnothing 300 mm. Handtagsring \varnothing 300 mm.

Arbetsområde KUA -2 -3 -4



Tryckfallskurva visar genomsnittlig tryckförlust genom KUA. Tryckfallet kan variera inom skuggade fältet.

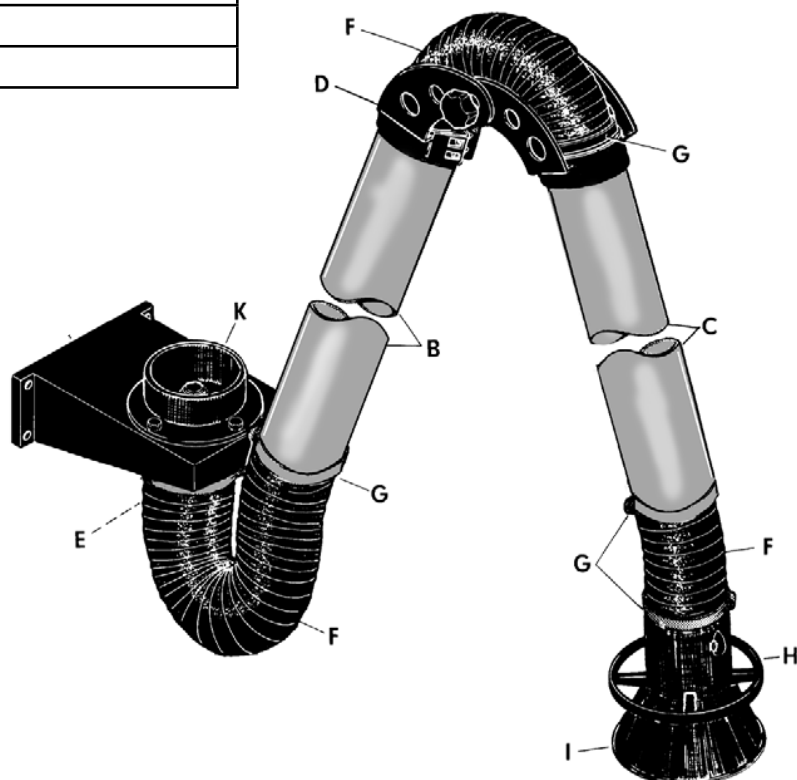


Följande faktorer påverkar tryckfallet i PlymoVent KUA:

1. Armens längd: 2, 3 eller 4 m.
2. Luftmängden.
3. Antalet böjar på armen samt hur skarpa dessa är.

MONTAGEANVISNING

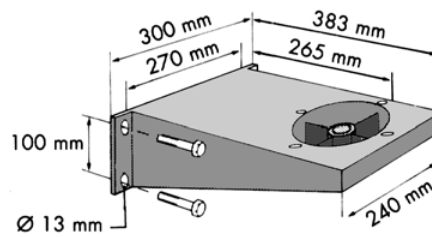
pos nr	Benämning	pos nr	Benämning
A	Väggfäste	F	Slang
B	Innerarm	G	Klammer
C	Ytterarm	H	Trattfäste
D	Led	I	Tratt
E	Tätningring	K	Stos



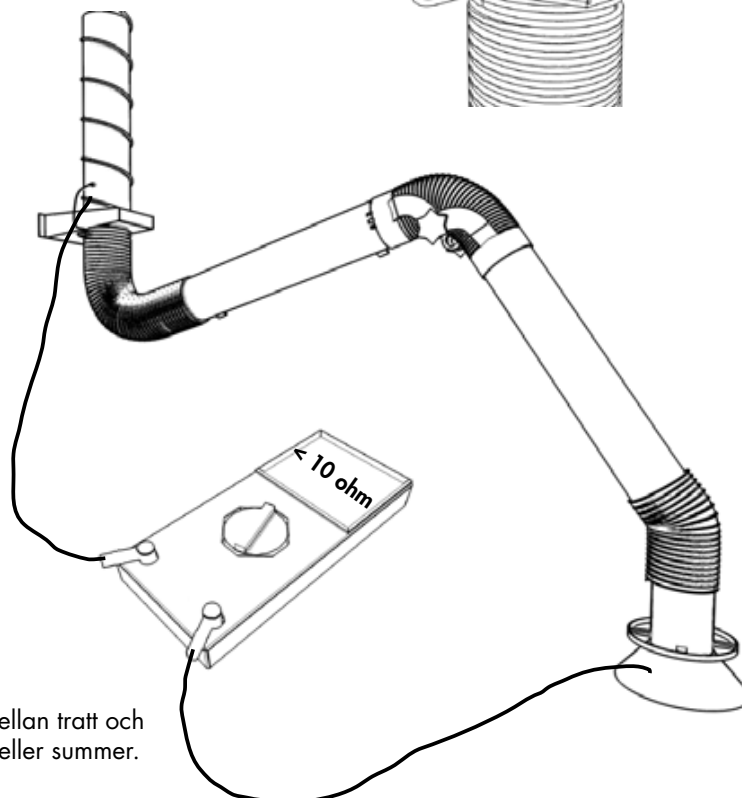
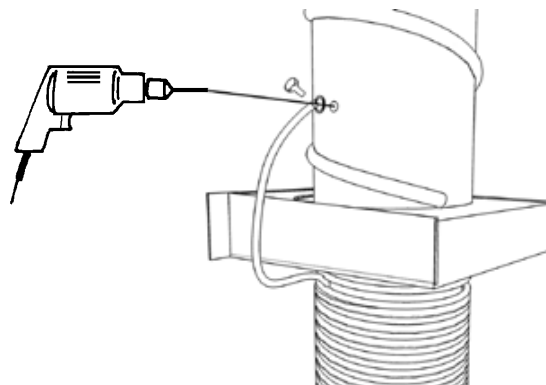
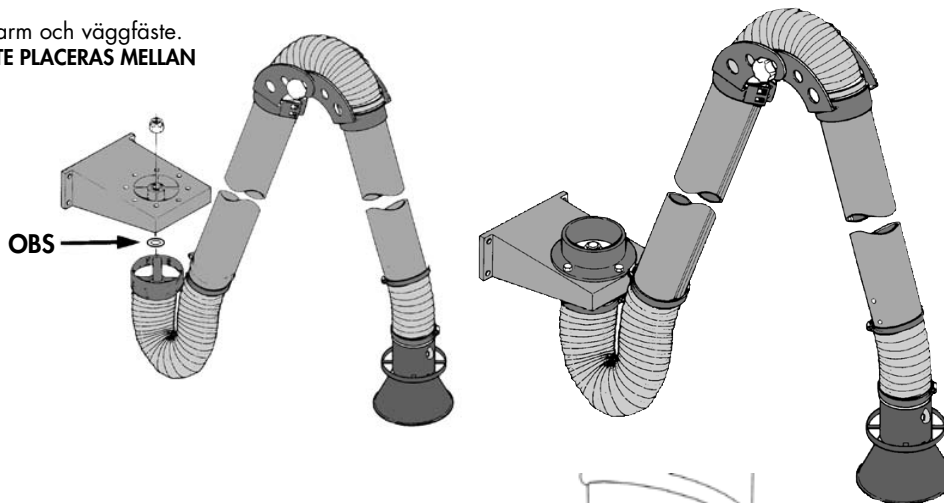
MONTAGEANVISNING

1. Montera väggfästet på väggen.

Monteringshöjd över golv 2,0–3,0 m.



Montera ihop innerarm och väggfäste.
OBS! BRICKAN MÅSTE PLACERAS MELLAN FLÄNS OCH ARM.

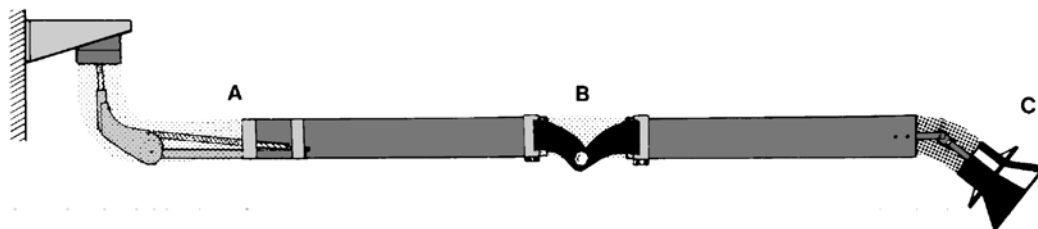


Kontrollera jordförbindelsen mellan tratt och frånlufts kanal med instrument eller summer.

SKÖTSELANVISNING

Kullagrad utsugsarm KUA-ATEX

© Copyright 2008 Alla rättigheter förbehålles. Inget ur denna trycksak får reproduceras, överlätas, kopieras eller översättas, i någon form eller med några medel utan skriftligt godkännande av PlymoVent AB. PlymoVent AB förbehåller sig rätten till konstruktionsändringar.



A. Om armen ej stannar i önskat läge:

1. Lossa slangen vid A.
2. Dra ut utsuget i sin fulla längd och vinkla det vågrätt. Justera därefter till dess att armen har tendens att börja sjunka mot golvet, drag åt ytterst lite och justeringen är klar.
3. Om inte armen stannar i exakt läge efter förflyttning sidledes, drag åt friktions bromsen som sitter i väggfästet, använd insexnyckel.



B. Om yttre armen ej stannar i önskat läge:

1. Vinkla yttre armen vågrät. Justera därefter till dess att armen har tendens att börja sjunka mot golvet, drag åt ytterst lite och justeringen är klar.

C. Om tratten ej stannar i önskat läge:

1. Lossa slangen vid C.
2. Justera friktionen enl. bild till dess att tratten stannar i exakt position.

D. Kontroll mätning


1. Kontrollera med periodiskt intervall jordförbindelsen mellan tratt och frånlufts kanal.
2. Efter slangbyte kontrolleras jordförbindelsen.

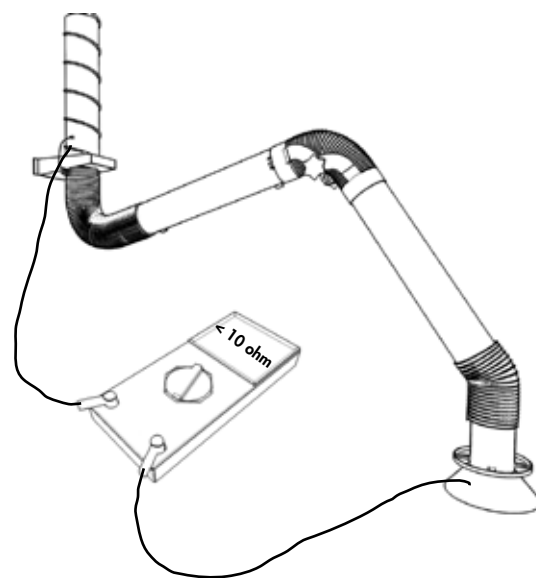
Försäkran om överensstämmelse

Härmed försäkras vi, PlymoVent AB, att KUA-ATEX överensstämmer med kraven i följande standarder: EN 292-1, EN 292-2, EN 50014 och EN 13463-1 enligt villkoren i direktiv 98/37/EG och ATEX 94/9EC. Produkten uppfyller kraven för kategori 2, grupp IIB och kan användas i zon 1 (gas) och 21 (damm).

Denna försäkran upphör att gälla om produkten ändras utan godkännande från Plymovent.

PlymoVent AB
Sågvägen 19
921 28 LYCKSELE


Lennart Wallberg
R&D Manager

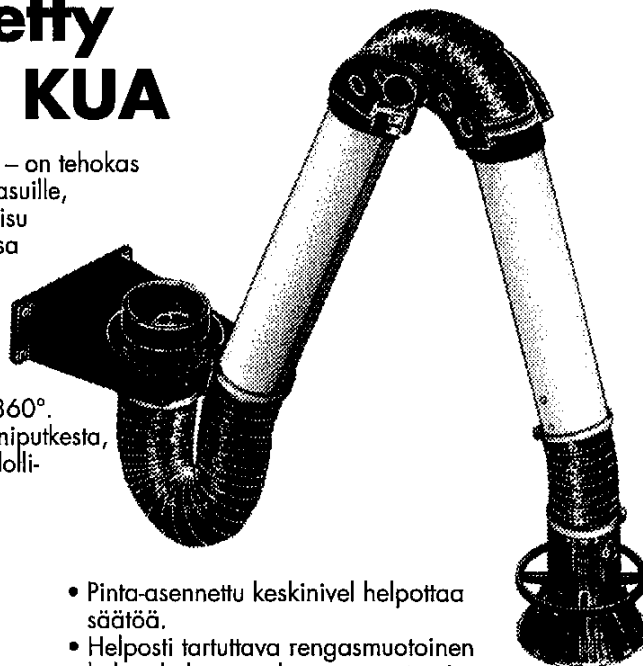


TEKNINEN ESITE

© Copyright 1995

Kuulalaakerinivelletty kohdepoistopuomi KUA

PlymoVent kuulalaakerinivelletty kohdepoistopuomi – KUA – on tehokas ja monipuolinen kohdepoistin pölylle, hitsaus- ja juotoskaasuille, öljysumulle, liuotinhöyryille j.n.e. Se on thanteellinen ratkaisu moneen ongelmaan. Sisä- ja ulkovarsi on yhdistetty toisiinsa pinta-asennetulla nivelliitoksella, jolle olemme jättäneet patenttihakemuksen. Nivelen säätö tehdään käsin, työkaluja ei tarvita. Alempi jousiavusteinen nivel, jota tuetaan kahdella kuulalaakerilla, antaa KUA-puomille tasaisen ja joustavan liikkeen. KUA nousee oman asennuskorkeutensa yläpuolelle, ja sitä voidaan kääntää 360°. Molemmat varret on valmistettu kevyestä ja sileästä alumiiniputkesta, jonka takia puomi ei ainoastaan ole luja vaan myös mahdollisimman kevyt ja hiljainen myös suurilla poistomäärillä.



Toimitus

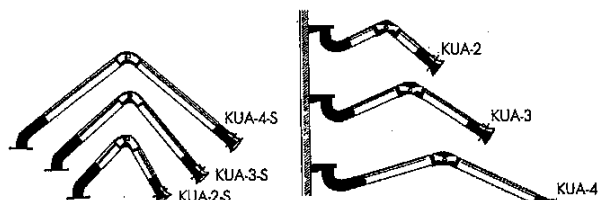
Puomi toimitetaan täydellisenä varustettuna seinäasennustelineellä, johon puhallin voidaan suoraan asentaa. Toimitukseen kuuluu myös Ø 160 mm yhde, jolla poistopuomi voidaan liittää keskusimujärjestelmään.

Edut

- Helppo liikutella kuulalaakereiden ja jousitusten ansiosta.
- Alumiiniputkesta valmistetut varret antavat puomille hyvän mekaanisen kestävyuden.

- Pinta-asennettu keskinivel helpottaa säätöä.
- Helposti tartuttava rengasmuotoinen kahva helpottaa huuven asettamista.
- Helposti asennettava vakiokonsoli katto- seinä- tai lattia-asennukseen.
- Yltää 6 m käytettäessä konsolia PA-220.
- Kestävä rakenne.

Tekniset tiedot

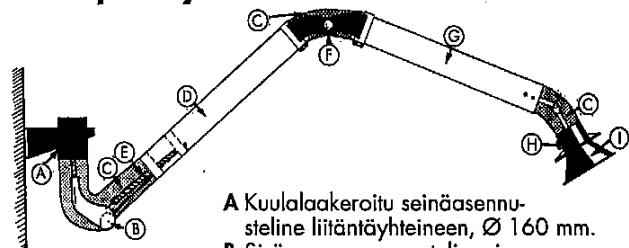


Seisova malli. Laippa-asennus, työtäisyydet 2, 3 ja 4 m. Laippa kuuluu toimitukseen.

Vakiomalli seinä- ja konsoliasennukseen. Työtäisyydet 2, 3 ja 4 m. Asennuskonsoli kuuluu toimitukseen.

Tyyppi no.	Max. työtäisyys	Letkun halkaisija mm	Suosittelava ilmavirtaus m ³ /h
KUA-2	2,0	160	800 - 1200
KUA-3	3,0	160	800 - 1200
KUA-4	4,0	160	800 - 1200
KUA-2-S	2,0	160	800 - 1200
KUA-3-S	3,0	160	800 - 1200
KUA-4-S	4,0	160	800 - 1200

Osat ja käyttö



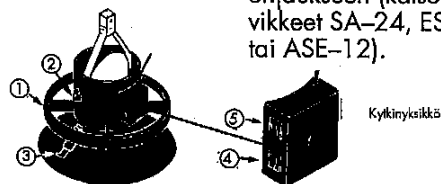
A Kuulalaakeroitu seinäasennusteline liitäntäyhteineen, Ø 160 mm.
B Sisävarren asennusteline, jossa on kittalevyillä toteutettu jäykkyydensäätö.

- C** Tulenkestävä kaksikerroksinen PVC-päällysteinen-kudottupolyamidiletku, jonka sisällä on teräsjousi.
D Alumiininen sisävarsi.
E Jännitetty tukijousi.
F Pinta-asennettu säädettävä nivelliitos (patentti haettu).
G Alumiininen ulkovarsi.
H Ristinivel, huuven kartio ja sulkupelti.
I Teräslevystä valmistettu huuva, joka on varustettu suojaverkolla ja pikakiinnityksellä. Hiuven imuaukon Ø 300 mm. Hiuvaa voidaan kääntää 110° kaikkiin suuntiin.

Käsittely

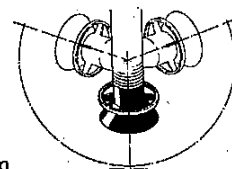
1. 360° rengasmainen kahva huuven asetelemiseksi. Voidaan käyttää joka suunnasta.
2. Sulkupellin säädin.

3. Pikaliitos huuven vaihtoa tai jatkoletkun asennusta varten.
4. Kohdevalon kytkin (katso lisätarvikkeet HL-20/24).
5. Kytin puhaltimen tai sulkupellin manuaaliseen ohjaukseen (katso lisätarvikkeet SA-24, ES-90 tai ASE-12).

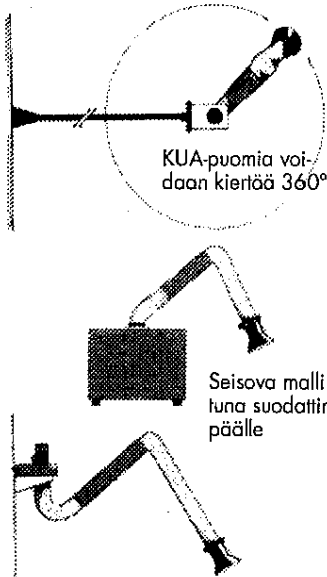
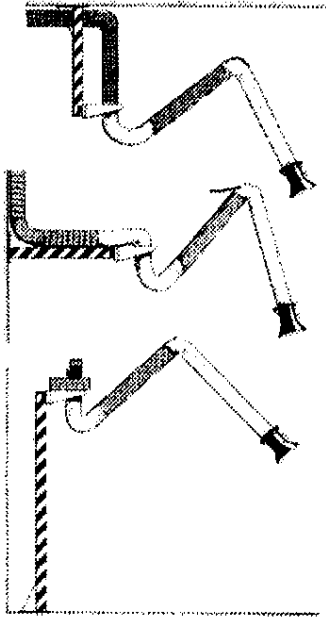


Huuven toiminta

Mustaa anodisoidusta pellistä valmistettua huuvaa voidaan kääntää 110° eteenpäin, taaksepäin ja sivuille. Suuri 360 asteinen rengaskahva, Ø 300 mm.



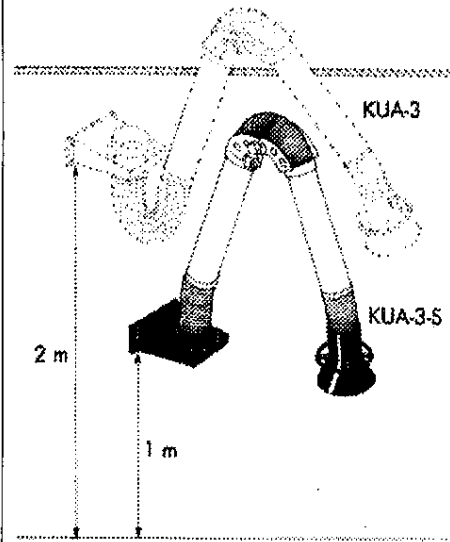
KUA varustettuna konsolilla PA-110 tai PA-220



KUA-puomia voidaan kiertää 360°

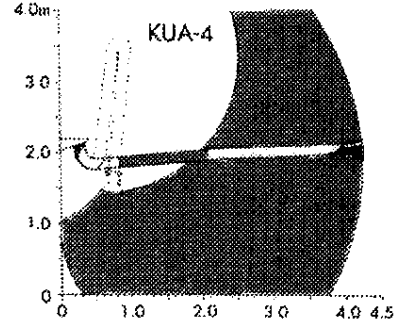
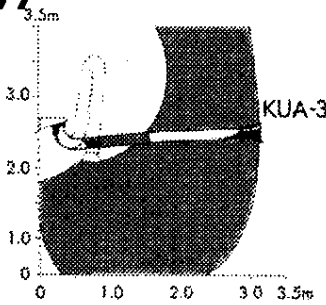
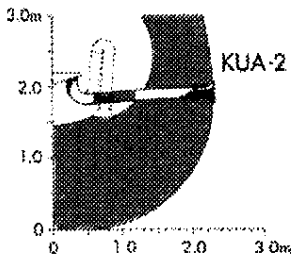
Seisova malli asennettuna suodattimen päälle

KUA varustettuna vakioseinäasennustelineellä ja erillisellä puhaltimella. (Puhallin asennetaan suoraan KUA:n seinäasennustelineeseen).

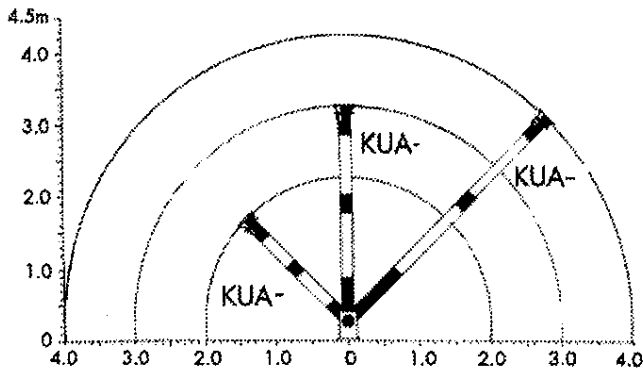


Seisova malli KUA-S voidaan helposti asentaa alemmalle tasolle vaikuttamatta työskentelyalueeseen. Jos malli KUA-S asennetaan seinälle, on asennusteline KUA-X-03 tilattava erikseen.

KUA-2-3-4 työskentelyetäisyys

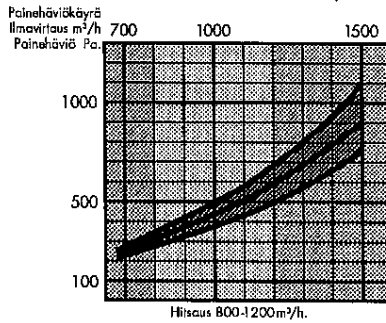


Maksimi työtäisyys puomeilla KUA-2, -3, -4



Painehäviö

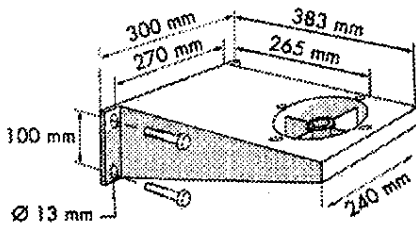
Alla oleva painehäviökäyrästä osoittaa keskimääräisen painehäviön kohdepoistopuomissa KUA. Painehäviö voi vaihdella varjostetun alueen sisällä.



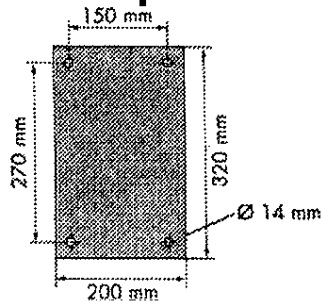
Seuraavat seikat vaikuttavat painehäviöön KUA-puomilla:

1. Puomin pituus: 2, 3 tai 4 m.
2. Ilman määrä.
3. Putken taivutuksien määrä ja jyrkkyydet.

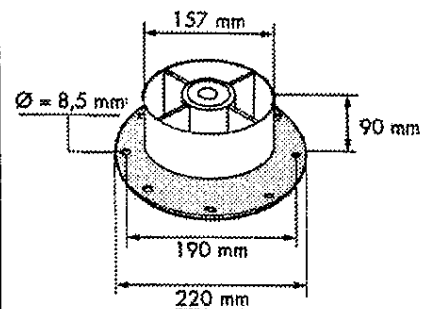
KUA-seinäasennustelineen mitat



Asennuslevy PA-110 ja PA-220



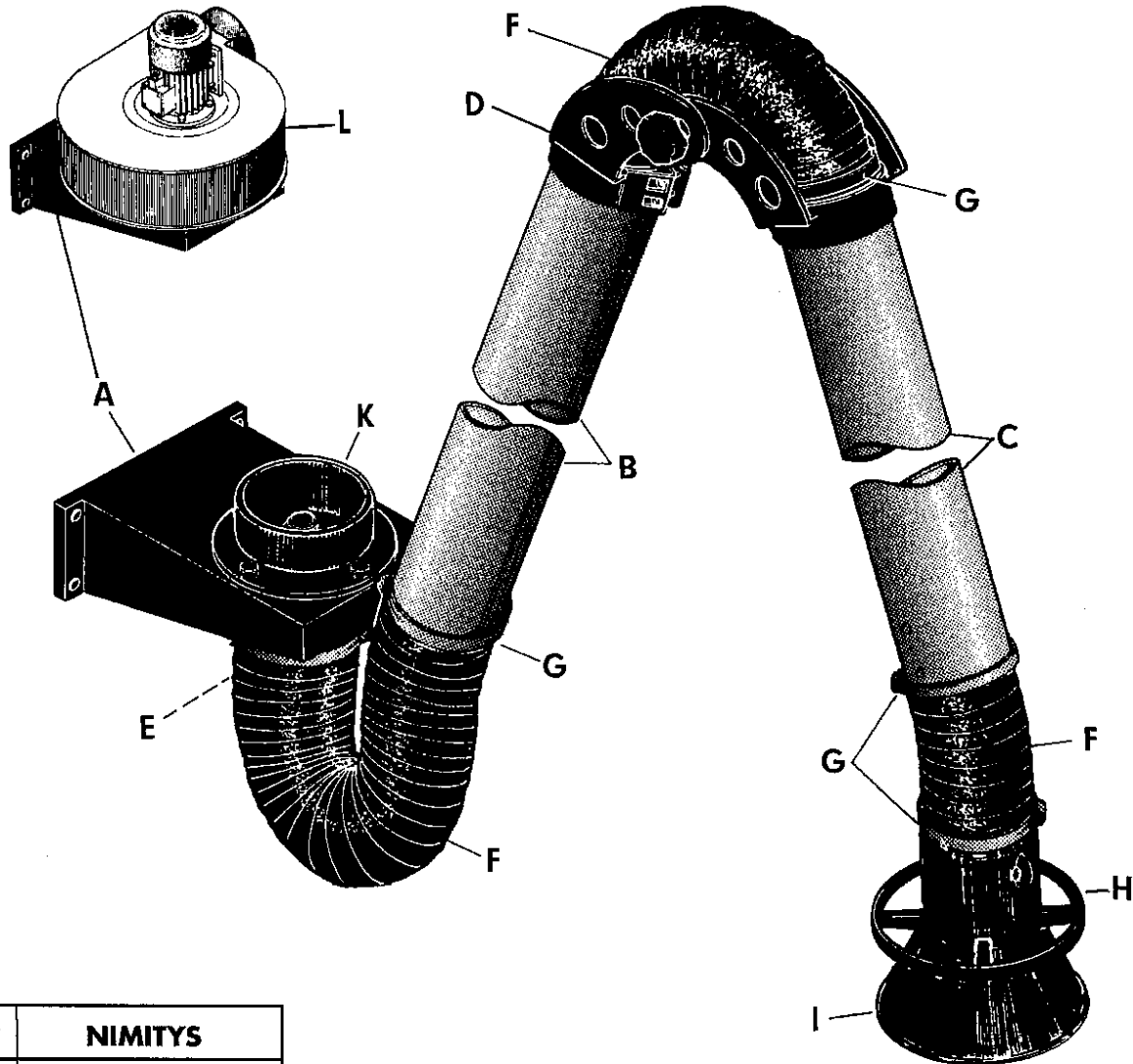
KUA-S:n asennuslaippa



ASENNUSOHJE

IMUVARSI. KUA-2, -3, -4

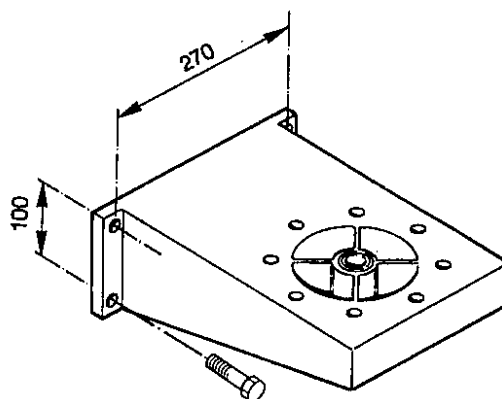
© Copyright 1995: All rights reserved. Nothing from this publication may be reproduced, handed over, copied, or translated into other language, in any form or means without written permission from PlymoVent AB. PlymoVent AB reserves the right to make design changes without notice.



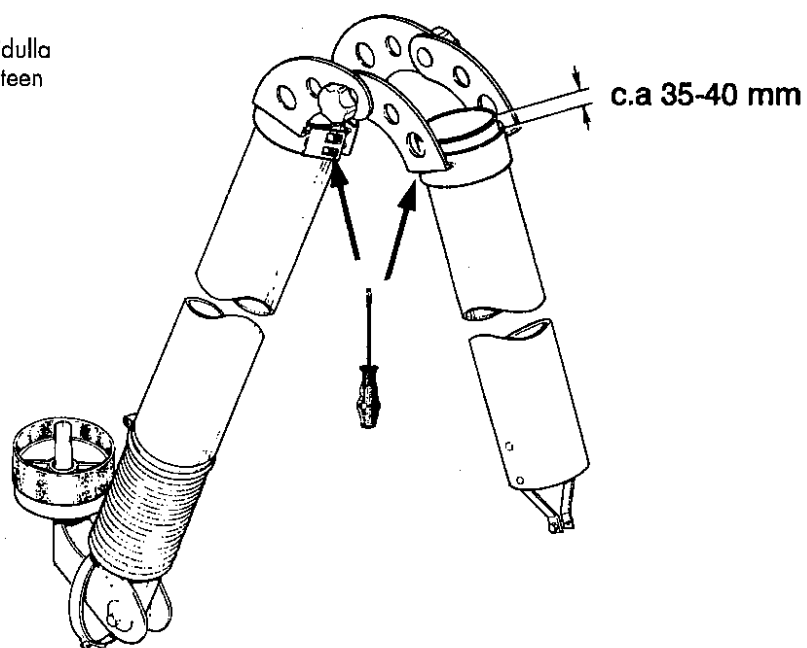
Osa no.	NIMITYS
A	Seinäkiinnike
B	Sisempi varsi
C	Ulompi varsi
D	Saranoitu liitos
E	Tiivistysrengas
F	Letku
G	Letkunkiristin
H	Imukartion kiinnike
I	Imukartio
K	Istukka
L	Tuuletin

1. Asenna seinäkiinnike

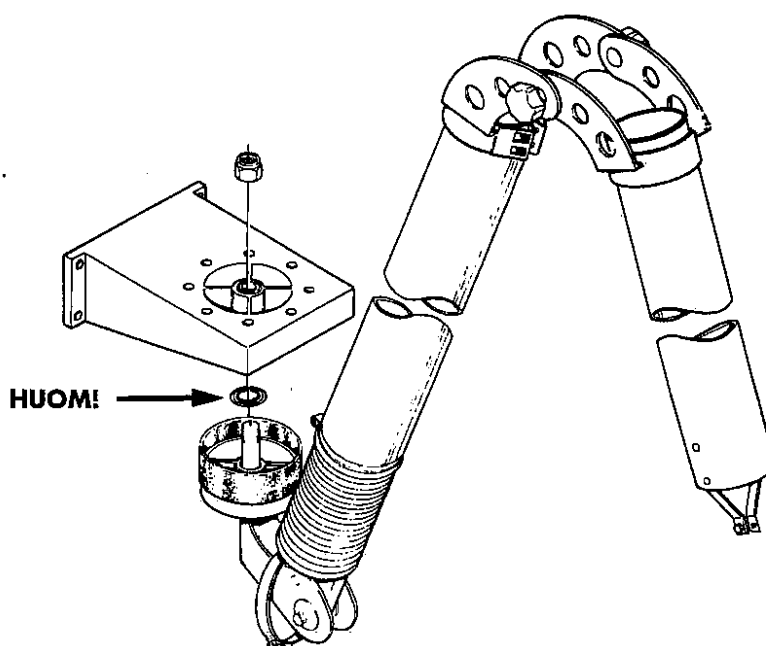
Asennuskorkeus 2,2–3 metriä lattiasta



2. Kiinnitä sisempi ja ulompi varsi toisiinsa saranoidulla liitoksella ja sovita tiivistysrenkas sisempään varteen

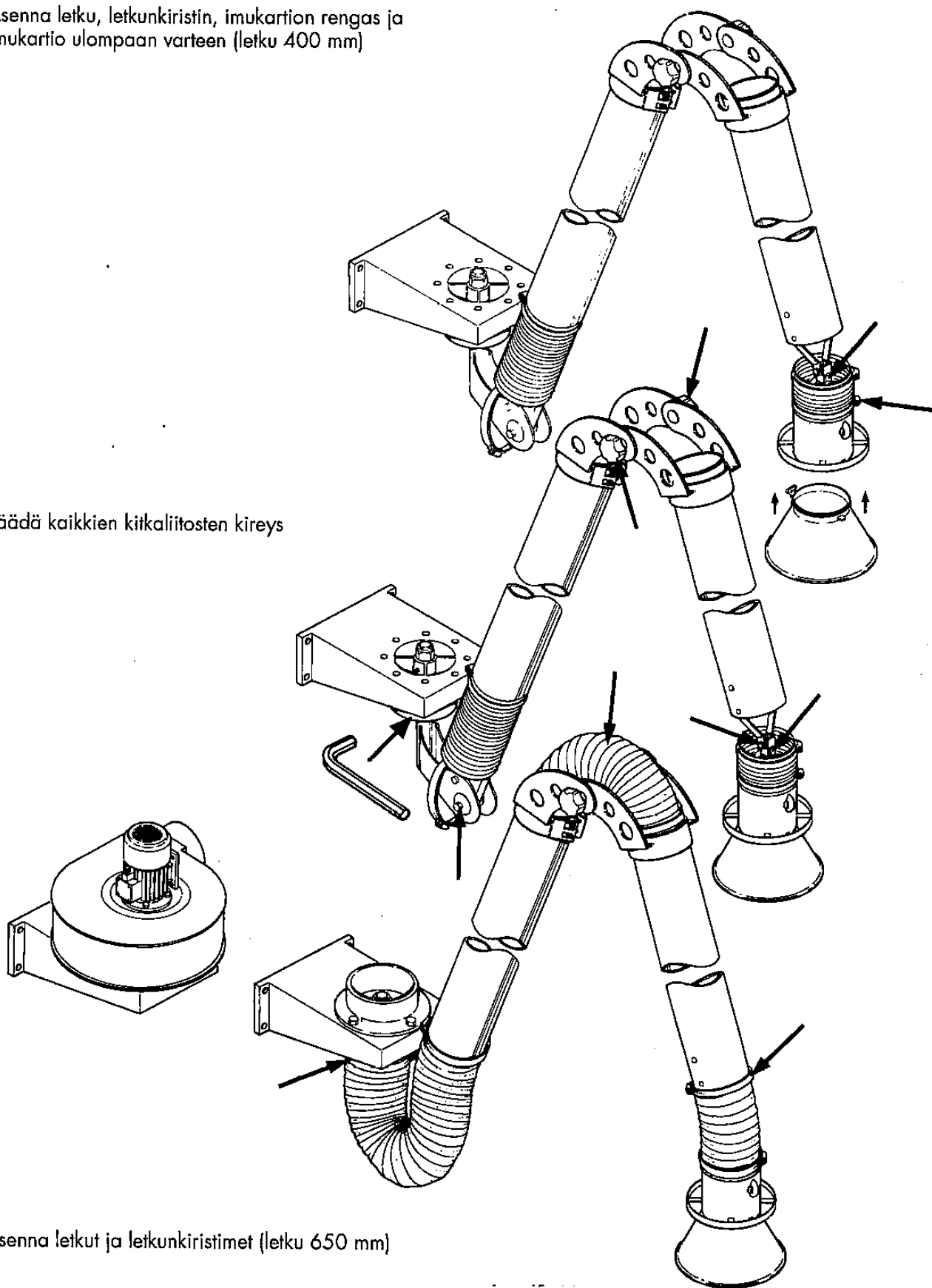


3. Asenna sisempi varsi seinäkiinnikkeeseen. HUOM! Aluslevy



- 4.** Asenna letku, letkunkiristin, imukartion rengas ja imukartio ulompaan varteeseen (letku 400 mm)

- 5.** Säädä kaikkien kiitkaliitosten kireys



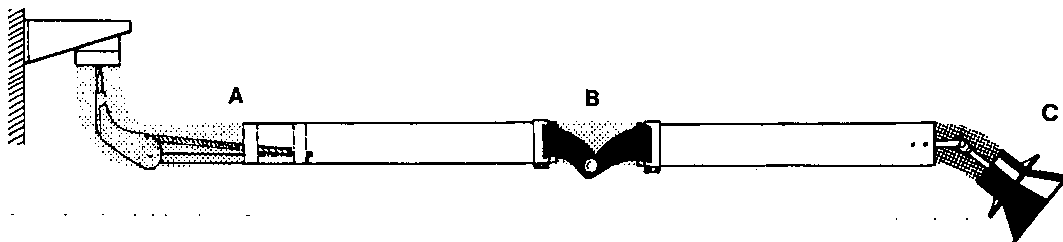
- 6.** Asenna letkut ja letkunkiristimet (letku 650 mm)

- 7.** Asenna joko istukka tai tuuletin seinäkiinnikkeeseen

HUOITO-OHJE

IMUVARSI. KUA-2, -3, -4

© Copyright 1995: All rights reserved. Nothing from this publication may be reproduced, handed over, copied, or translated into other language, in any form or means without written permission from PlymoVent AB. PlymoVent AB reserves the right to make design changes without notice.



A Jos varsi ei pysy halutussa asennossa:

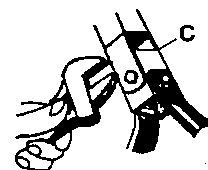
1. Irrota letku kohdasta A.
2. Vedä imuvarsi ulos vaakasuoraan asentoon koko pituudeltaan. Löysää kitkaliitosta sen verran, että varsi pyrkii taipumaan alaspäin. Kiristä liitosta niin, että varsi pysyy vaakasuorassa.
3. Jos vartta on vaikeata liikuttaa sivusuuntaan, tai se ei pysy sivusuunnassa halutussa asennossa, säädä seinäkiinnikkeen kitkaliitosta. Käytä kuusiokoloavainta.

B Jos ulompi varsi ei pysy halutussa asennossa:

1. Aseta ulompi varsi vaakasuoraan asentoon. Löysää kitkaliitosta sen verran, että varsi pyrkii taipumaan alaspäin. Kiristä liitosta niin, että varsi pysyy vaakasuorassa.

C Jos imukartio ei pysy halutussa asennossa:

1. Irrota letku kohdasta C.
2. Säädä kitkaliitosta (ks. kuva) niin, että imukartio pysyy tarkasti asennossaan.



Kuulalaakerinivelletty kohdepoistopuomi KUA - seisova

PlymoVent kuulalaakerinivelletty kohdepoistopuomi – KUA – on tehokas ja monipuolinen kohdepoistin pölylle, hitsaus- ja juotoskaasuille, öljysumulle, liuotinhöyryille j.n.e. Se on ihanteellinen ratkaisu moneen ongelmaan. Sisä- ja ulkovarsi on yhdistetty toisiinsa pinta-asennetulla nivelliitoksella, jolle olemme jättäneet patenttihakemuksen. Nivelen säätö tehdään käsin, työkaluja ei tarvita. Alempi jousiavusteinen nivel, jota tuetaan kahdella kuulalaakerilla, antaa KUA-puomille tasaisen ja joustavan liikkeen. KUA nousee oman asennuskorkeutensa yläpuolelle, ja sitä voidaan kääntää 360°. Molemmat varret on valmistettu kevyestä ja sileästä alumiiniputkesta, jonka takia puomi ei ainoastaan ole luja vaan myös mahdollisimman kevyt ja hiljainen myös suurilla poistomäärillä.



Toimitus

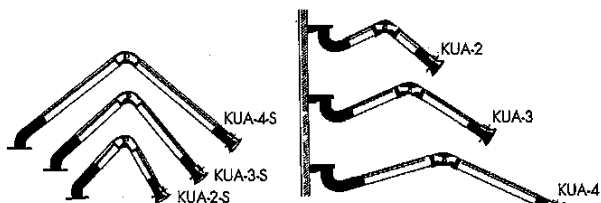
Puomi toimitetaan täydellisenä varustettuna seinäasennustelineellä, johon puhallin voidaan suoraan asentaa. Toimitukseen kuuluu myös Ø 160 mm yhde, jolla poistopuomi voidaan liittää keskusimujärjestelmään.

Edut

- Helppo liikutella kuulalaakereiden ja jousitusten ansiosta.
- Alumiiniputkesta valmistetut varret antavat puomille hyvän mekaanisen kestävyuden.
- Pinta-asennettu keskinivel helpottaa säätöä.

- Helposti tartuttava rengasmuotoinen kahva helpottaa huuvan asettamista.
- Helposti asennettava vakiokonsoli katto- seinä- tai lattia-asennukseen.
- Yli 6 m käytettäessä konsolia PA-220.
- Kestävä rakenne.

Tekniset tiedot

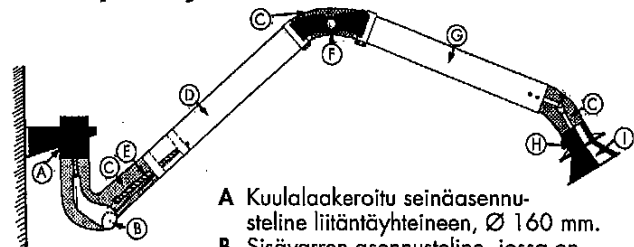


Seisova malli. Laippa-asennus, työtäisyydet 2, 3 ja 4 m. Laippa kuuluu toimitukseen.

Vakiomalli seinä- ja konsoliasennukseen. Työtäisyydet 2, 3 ja 4 m. Asennuskonsoli kuuluu toimitukseen.

Tyyppi no.	Max. työtäisyys	Letkun halkaisija mm	Suosittelava ilmavirtaus m ³ /h
KUA-2	2,0	160	800 – 1200
KUA-3	3,0	160	800 – 1200
KUA-4	4,0	160	800 – 1200
KUA-2-S	2,0	160	800 – 1200
KUA-3-S	3,0	160	800 – 1200
KUA-4-S	4,0	160	800 – 1200

Osat ja käyttö



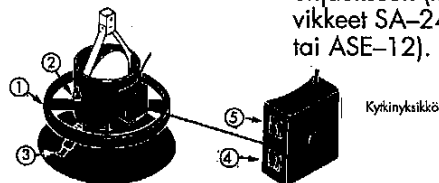
A Kuulalaakeroitu seinäasennusteline liitäntäyhteineen, Ø 160 mm.
B Sisövarren asennusteline, jossa on kitkalevyillä toteutettu jäykkyydensäätö.

- C Tulenkestävä kaksikerroksinen PVC-päällysteinen kudottu polyamidiletku, jonka sisällä on teräsjaousi.
D Alumiininen sisövarsi.
E Jännitetty tukijousi.
F Pinta-asennettu säädettävä nivelliitos (patentti haettu).
G Alumiininen ulkovarsi.
H Ristinivel, huuven kartio ja sulkupelti.
I Teräslevystä valmistettu huuva, joka on varustettu suojaverkolla ja pikakiinnityksellä. Huuven imuaukon Ø 300 mm. Huuvaa voidaan kääntää 110° kaikkiin suuntiin.

Käsittely

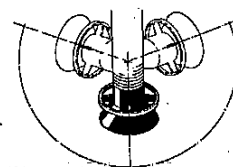
1. 360° rengasmainen kahva huuven asettelemiseksi. Voidaan käyttää joka suunnasta.
2. Sulkupellin säädin.

3. Pikaliitos huuven vaihtoa tai jatkoletkun asennusta varten.
4. Kohdevalon kytkin (katso lisätarvikkeet HL-20/24).
5. Kytin puhaltimen tai sulkupellin manuaaliseen ohjaukseen (katso lisätarvikkeet SA-24, ES-90 tai ASE-12).



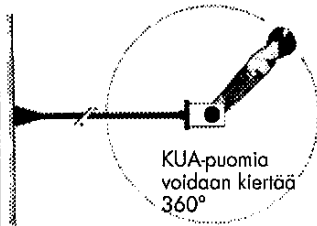
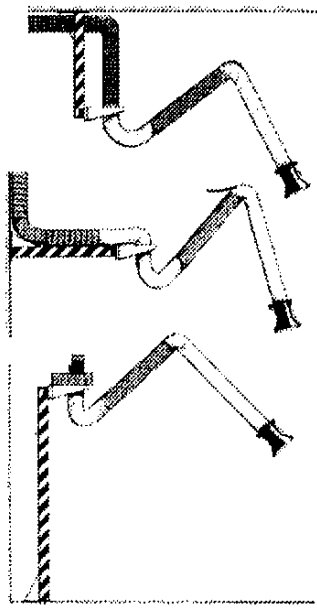
Huuven toiminta

Mustaa anodisoidusta pellistä valmistettua huuvaa voidaan kääntää 110° eteenpäin, taaksepäin ja sivuille. Suuri 360 asteinen rengaskahva, Ø 300 mm.

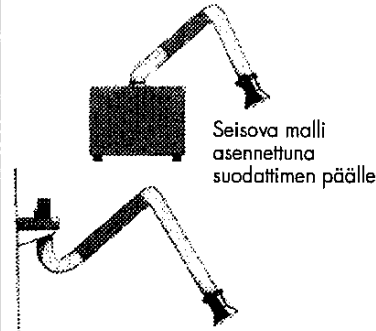


Asennusesimerkit

KUA varustettuna konsolilla PA-110 tai PA-220

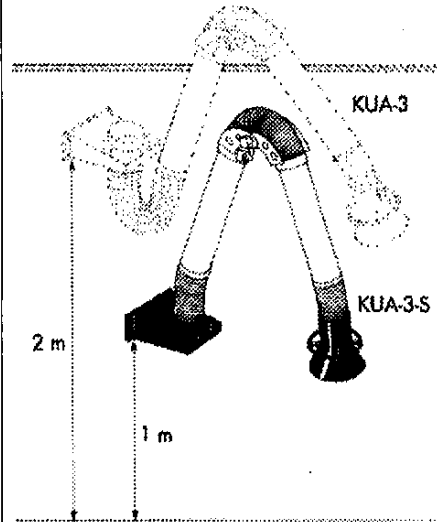


KUA-puomia voidaan kiertää 360°



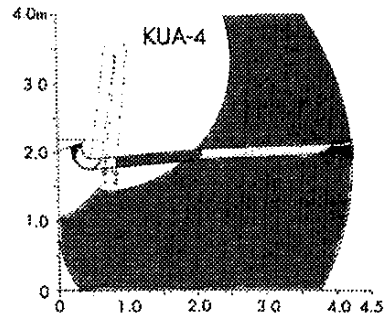
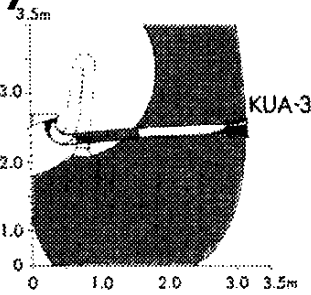
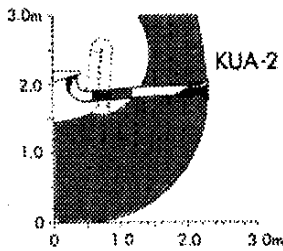
Seisova malli asennettuna suodattimen päälle

KUA varustettuna vakioseinäsennustelineellä ja erillisellä puhallimella. (Puhallin asennetaan suoraan KUA:n seinäsennustelineeseen).

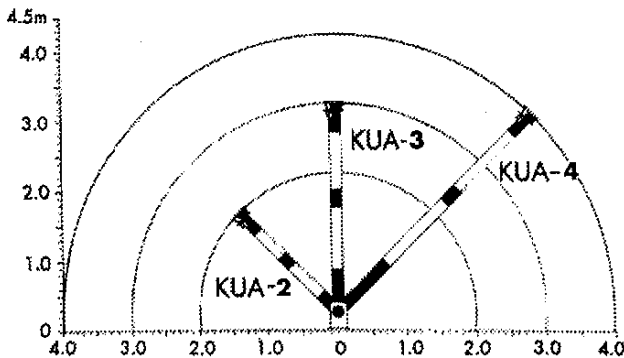


Seisova malli KUA-S voidaan helposti asentaa alemmalle tasolle vaikuttamatta työskentelyalueeseen. Jos malli KUA-S asennetaan seinälle, on asennusteline KUA-X-03 tilattava erikseen.

KUA-2-3-4 työskentelyetäisyys

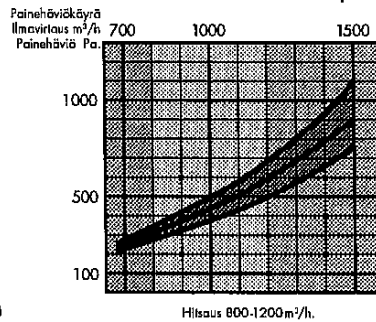


Maksimi työtäisyys puomeilla KUA-2, -3, -4



Painehäviö

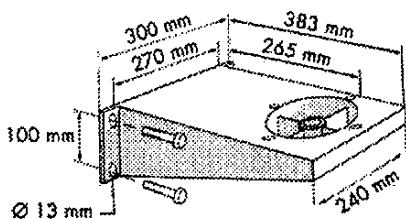
Alla oleva painehäviökäyrästä osoittaa keskimääräisen painehäviön kohdepoistopuomissa KUA. Painehäviö voi vaihdella varjostetun alueen sisällä.



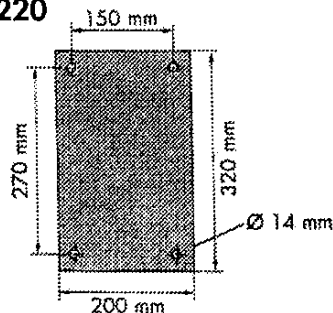
Seuraavat seikat vaikuttavat painehäviöön KUA-puomilla:

1. Puomin pituus: 2, 3 tai 4 m.
2. Ilman määrä.
3. Putken taivutuksien määrä ja jyrkkyydet.

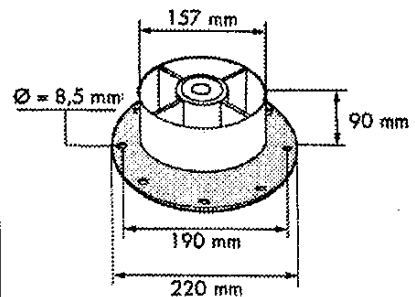
KUA-seinäsennustelineen mitat



Asennuslevy PA-110 ja PA-220



KUA-S:n asennuslaippa

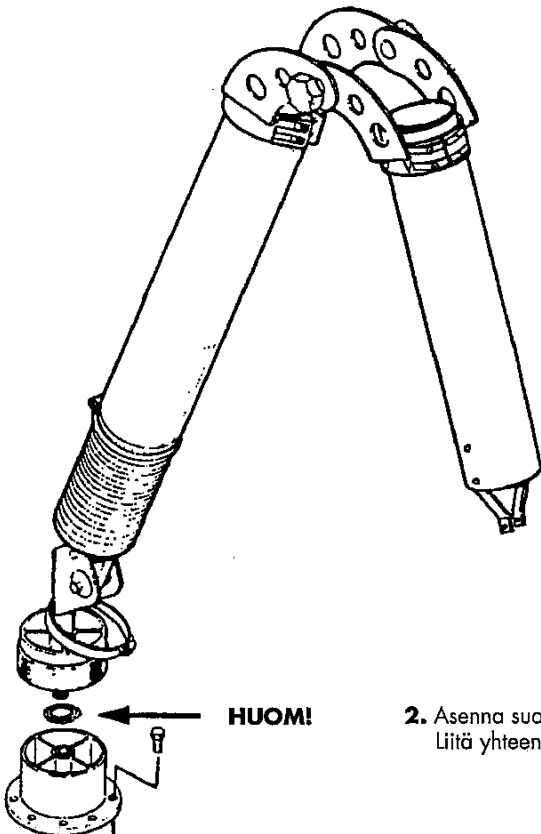
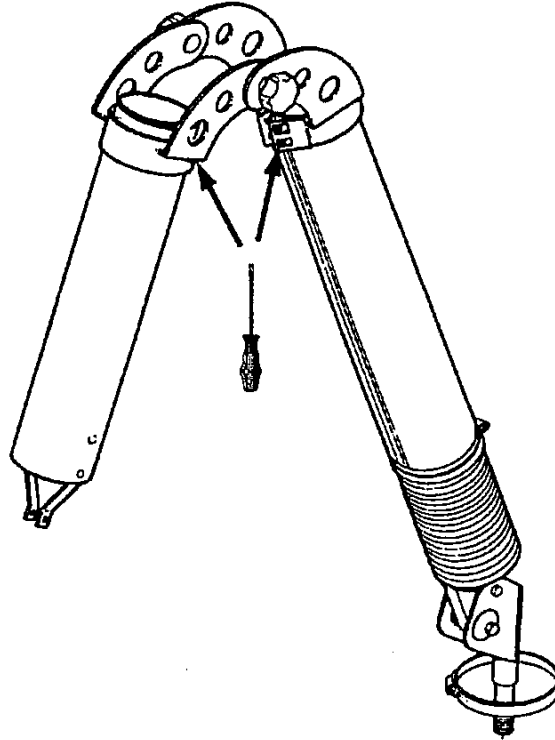


ASENNUSOHJE

KUA-2, -3, -4-S

© Copyright 1995: All rights reserved. Nothing from this publication may be reproduced, handed over, copied, or translated into other language, in any form or means without written permission from PlymoVent AB. PlymoVent AB reserves the right to make design changes without notice.

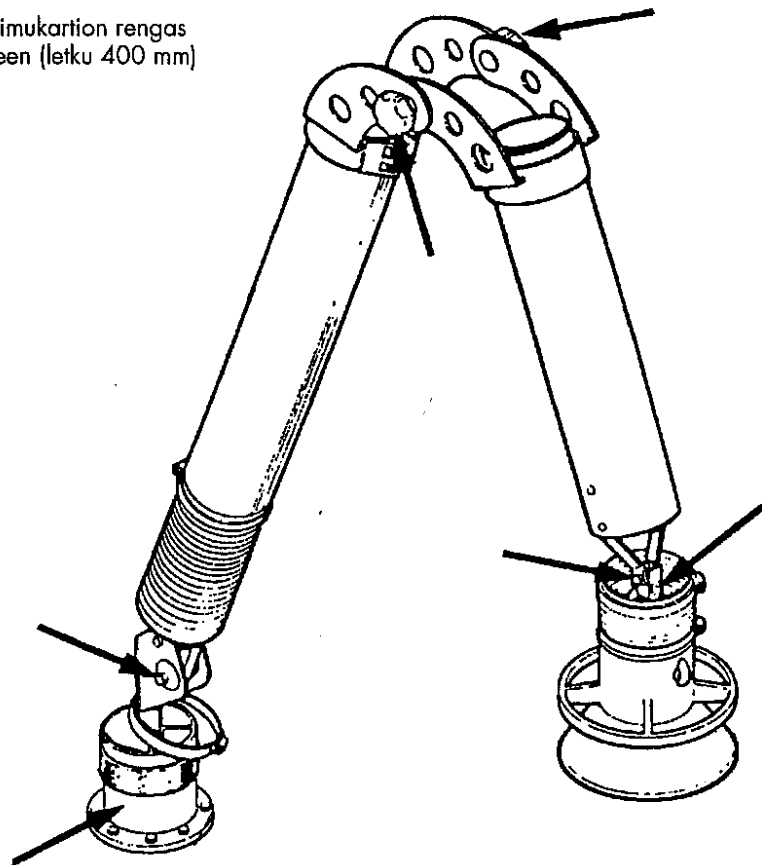
1. Kiinnitä sisempi ja ulompi varsi toisiinsa saranoidulla liitoksella



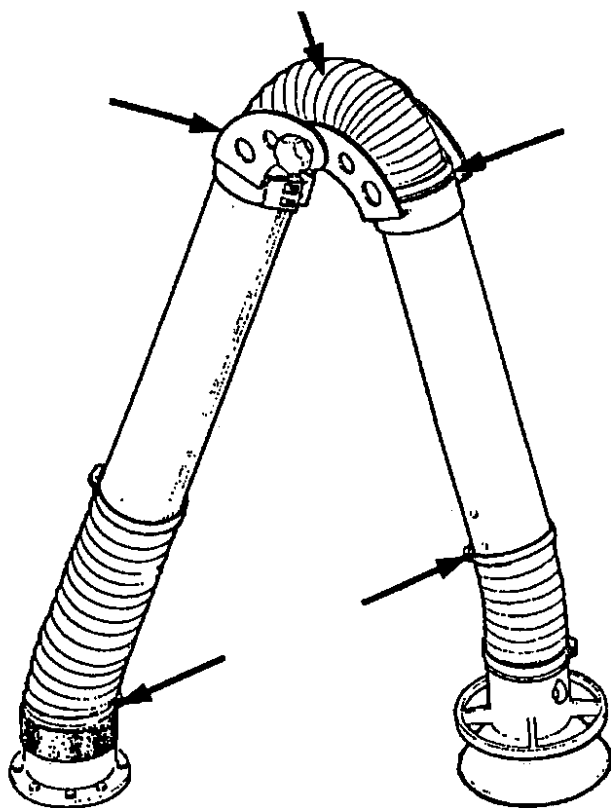
HUOM!

2. Asenna suodatimen laippa ja sisemmän varren tiivistysrenkas
Liitä yhteen sisempi varsi ja suodatin. HUOM! Aluslevy

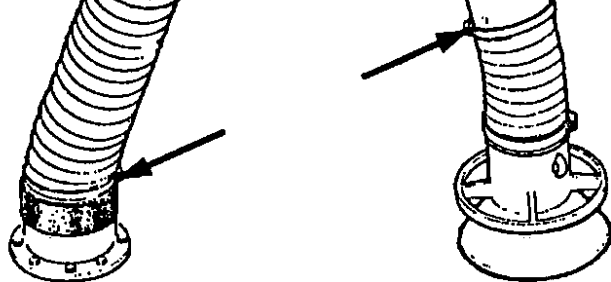
3. Asenna letku, letkunkiristin, imukartion rengas ja imukartio ulompaan varteeseen (letku 400 mm)



4. Säädä kaikkien kitkaliitosten kireys



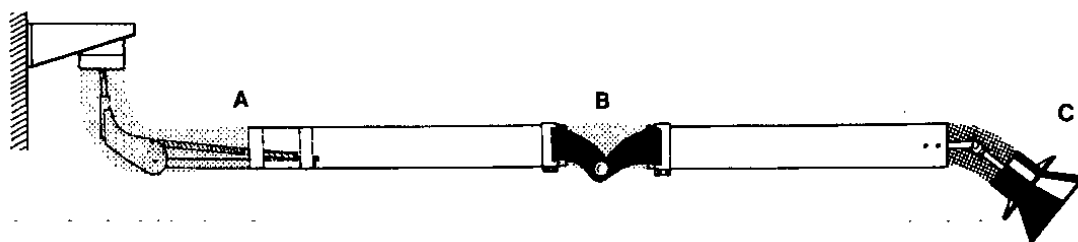
5. Asenna letkut ja letkunkiristimet (letku 650 mm)



HUOITO-OHJE

IMUVARSI. KUA-2, -3, -4

© Copyright 1995: All rights reserved. Nothing from this publication may be reproduced, handed over, copied, or translated into other language, in any form or means without written permission from PlymoVent AB. PlymoVent AB reserves the right to make design changes without notice.



A Jos varsi ei pysy halutussa asennossa:

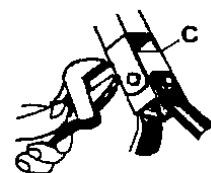
1. Irrota letku kohdasta A.
2. Vedä imuvarsi ulos vaakasuoraan asentoon koko pituudeltaan. Löysää kitkaliitosta sen verran, että varsi pyrkii taipumaan alaspäin. Kiristä liitosta niin, että varsi pysyy vaakasuorassa.
3. Jos vartta on vaikeata liikuttaa sivusuuntaan, tai se ei pysy sivusuunnassa halutussa asennossa, säädä seinäkiinnikkeen kitkaliitosta. Käytä kuusiokoloavainta.

B Jos ulompi varsi ei pysy halutussa asennossa:

1. Aseta ulompi varsi vaakasuoraan asentoon. Löysää kitkaliitosta sen verran, että varsi pyrkii taipumaan alaspäin. Kiristä liitosta niin, että varsi pysyy vaakasuorassa.

C Jos imukartio ei pysy halutussa asennossa:

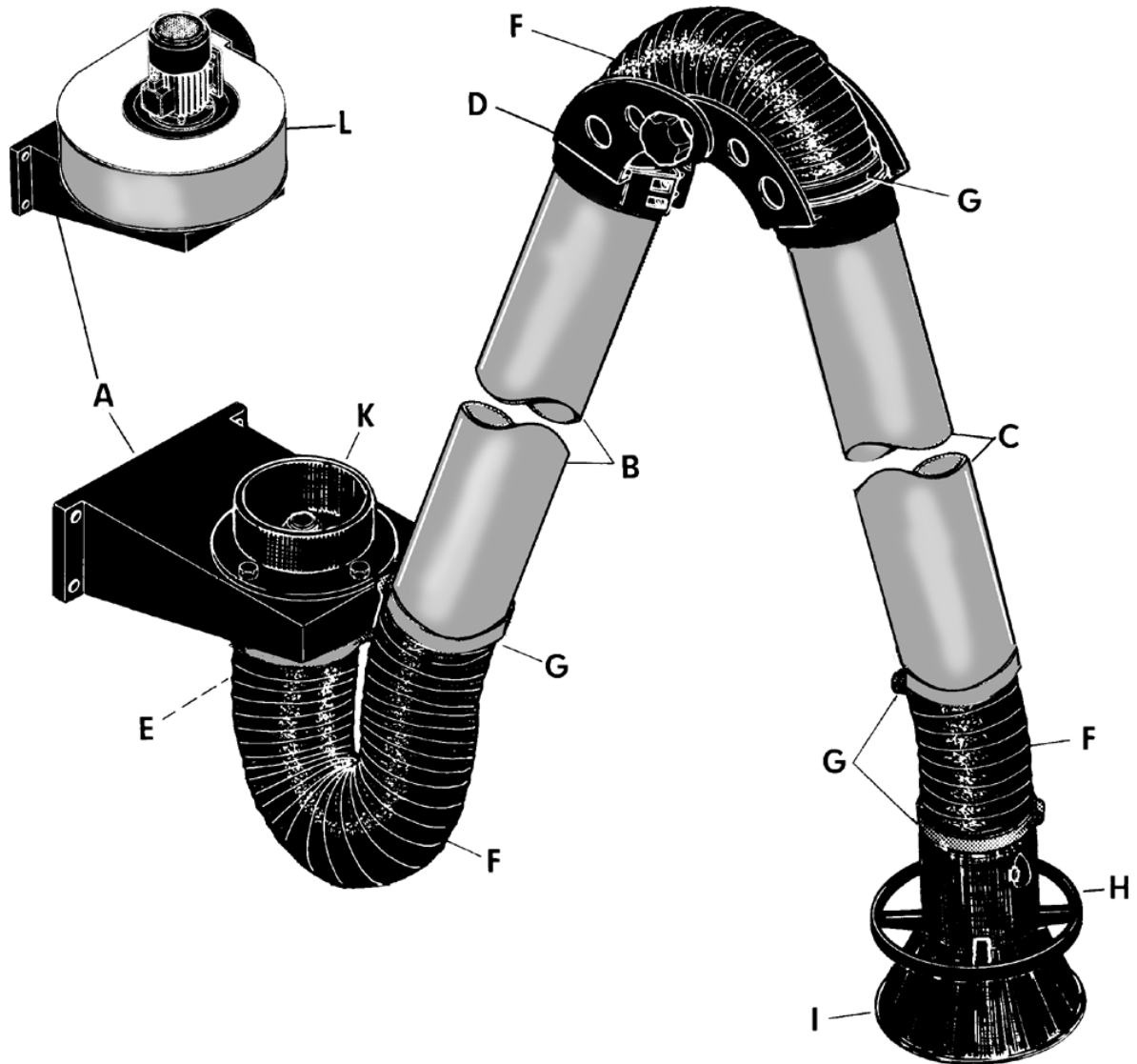
1. Irrota letku kohdasta C.
2. Säädä kitkaliitosta (ks. kuva) niin, että imukartio pysyy tarkasti asennossaan.



MONTÁŽNÍ INSTRUKCE

ODSÁVACÍ RAMENO

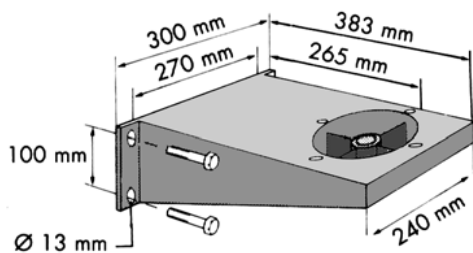
KUA-2, -3, -4.



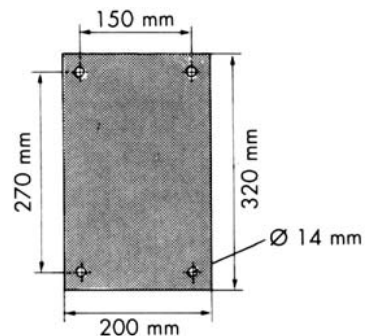
Pos no	POPIS	Pos no	POPIS
A	Montážní konzola	G	Stahovací pásek
B	Vnitřní rameno	H	Madlo klobouku
C	Vnější rameno	I	Klobouk
D	Otočný kloub	K	Příruba
E	Pryžový kroužek	L	Ventilátor
F	Hadice		

Montážní instrukce

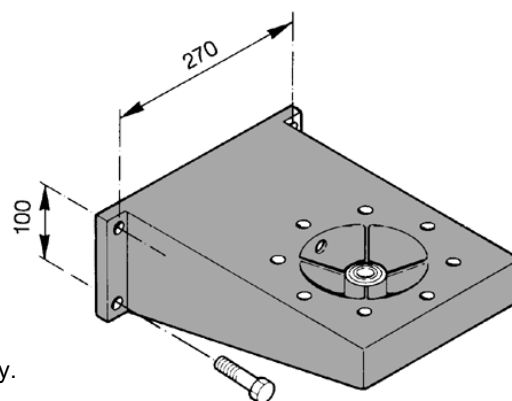
Konzola pro montáž na zeď



Montážní deska PA-110, 220

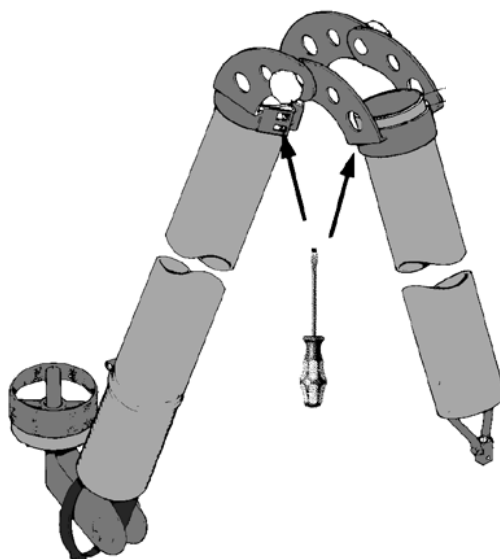


1. Namontujte konzolu na zeď.



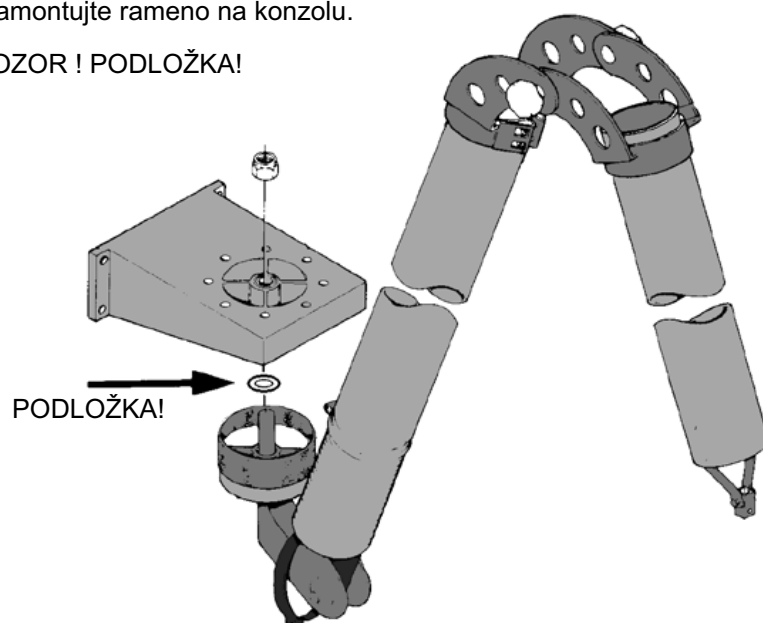
Doporučená montážní výška 2.2-3 m od podlahy.

2. Spojte dohromady vnitřní a vnější rameno pomocí kloubu a na vnitřní rameno připevněte pryžový kroužek.

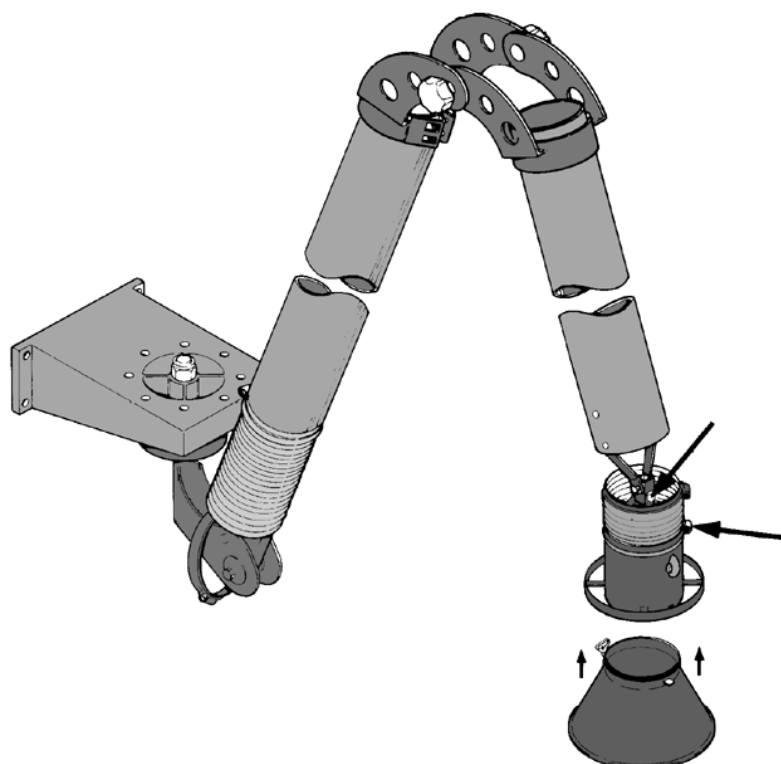


3. Namontujte rameno na konzolu.

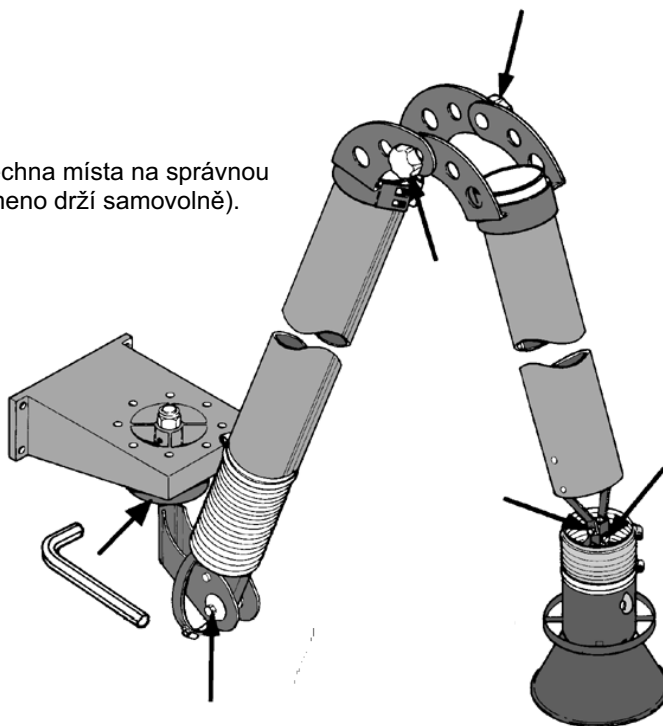
POZOR ! PODLOŽKA!



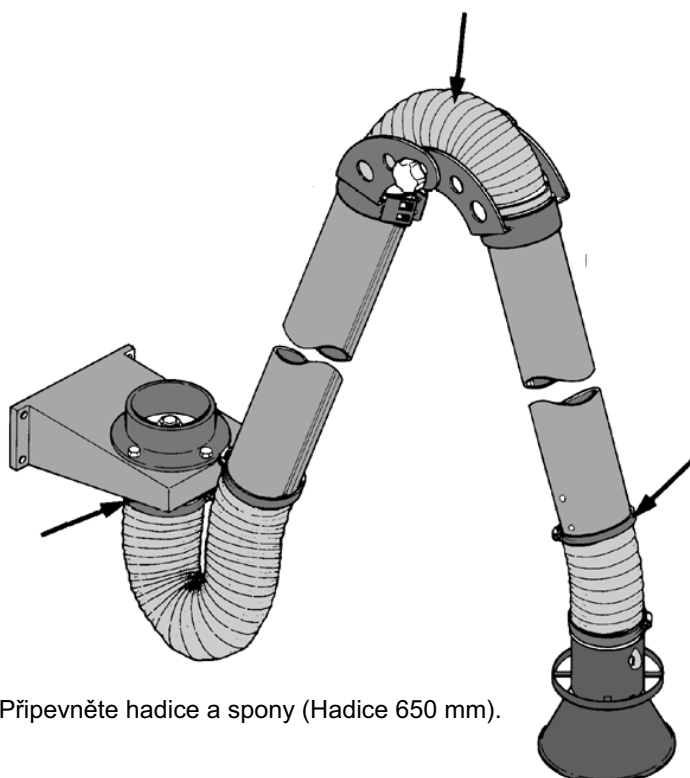
4. Připevněte hadici, stahovací pásek, madlo klobouku a klobouk na vnější rameno (hadice 400 mm).



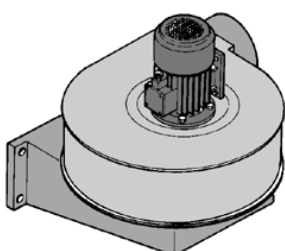
- 5.** Nastavte všechna místa na správnou hodnotu (rameno drží samovolně).



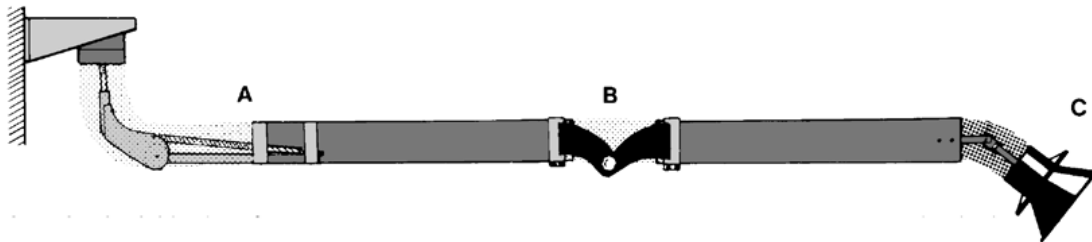
- 6.** Připevněte hadice a spony (Hadice 650 mm).



- 7.** Připojte přírubu nebo ventilátor na konzolu.

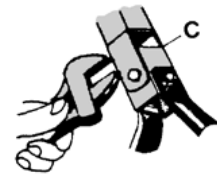


POKYNY PRO ÚDRŽBU



A. Pokud rameno nedrží v požadované pozici :

1. Sundejte hadici v místě A.
2. Natáhněte rameno na plnou délku a do horizontální pozice. Povolte třecí brzdu dokud nezacne rameno padat k zemi. Povolte a utáhněte třecí brzdu dokud rameno nepřestane padat.
3. Pokud se s ramenem obtížně manipuluje do boku nebo se natáčí samo, musí se nastavit třecí šroub na kroužku.



B. Pokud vnější rameno nezůstává v požadované pozici:

1. Nastavte vnější rameno vodorovně. Povolte třecí brzdu dokud rameno nezačne padat k zemi. Utáhněte dokud nepřestane padat.

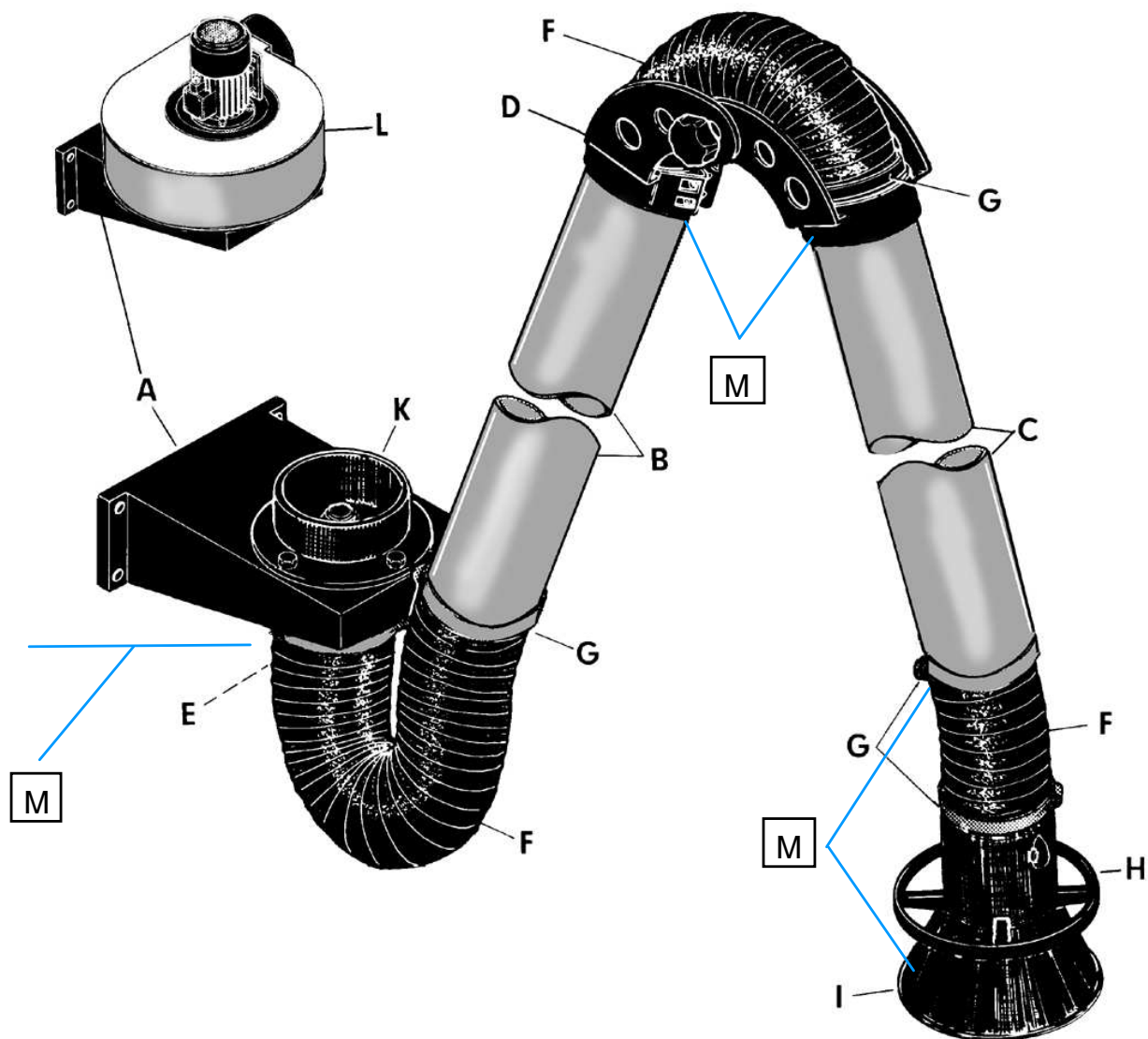
C. Pokud klobouk nedrží v požadované pozici:

1. Sundejte hadici C.
2. Nastavte přítlak dle obrázku, dokud klobouk nezůstane v požadované pozici.

MONTÁŽNÍ INSTRUKCE

ODSÁVACÍ RAMENO

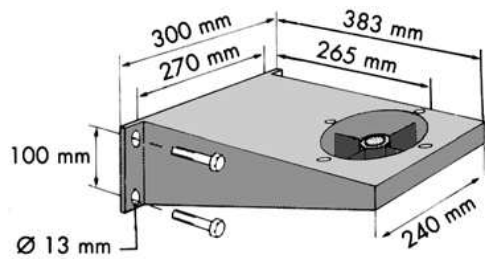
KUA-2, -3, -4.



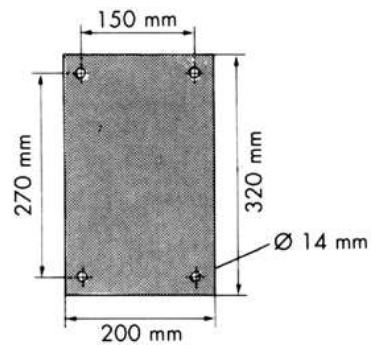
Pos no	POPIS	Pos no	POPIS
A	Montážní konzola	G	Stahovací pásek
B	Vnitřní rameno	H	Madlo klobouku
C	Vnější rameno	I	Klobouk
D	Otočný kloub	K	Příruba
E	Pryžový kroužek	L	Ventilátor
F	Hadice	M	Uzemnění

Montážní instrukce

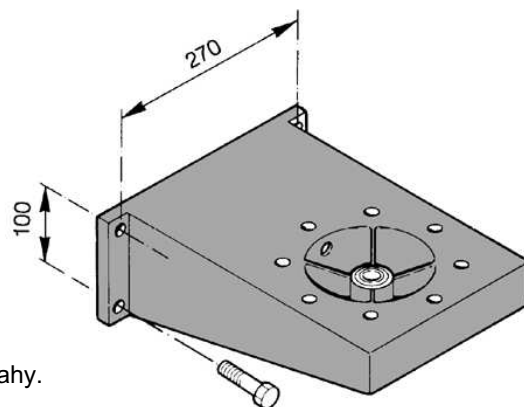
Konzola pro montáž na zeď



Montážní deska PA-110, 220

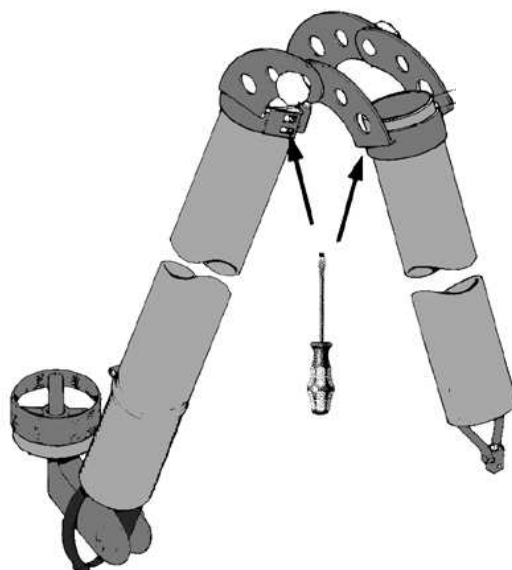


1. Namontujte konzolu na zeď.



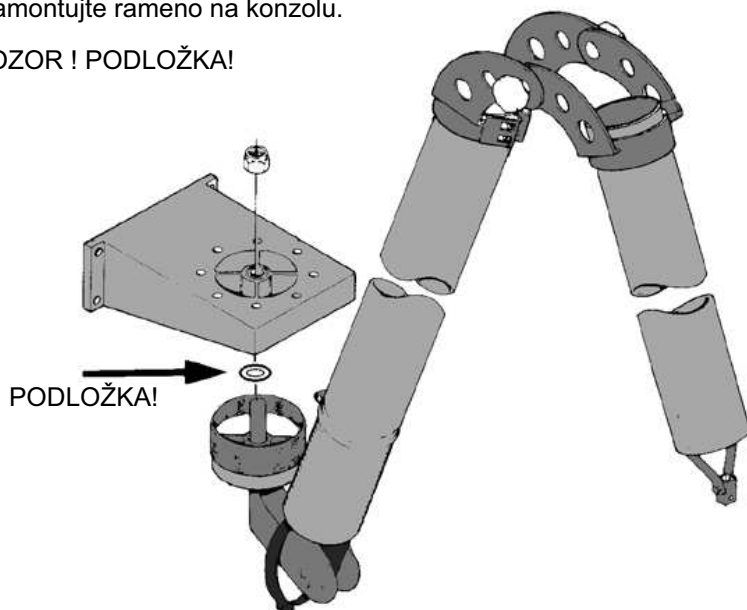
Doporučená montážní výška je 2.2-3 m od podlahy.

2. Spojte dohromady vnitřní a vnější rameno pomocí kloubu a na vnitřní rameno připevněte pryžový kroužek.

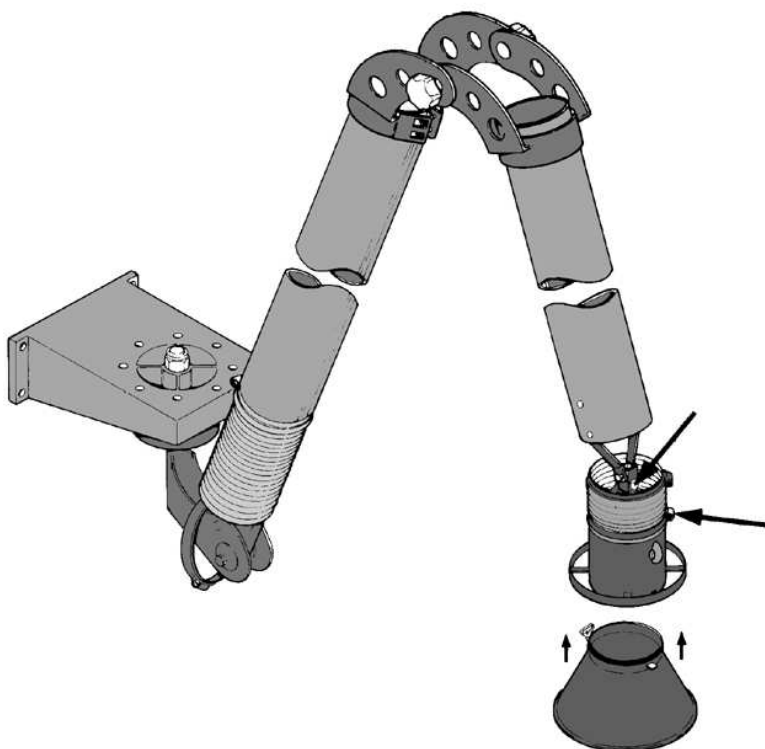


3. Namontujte rameno na konzolu.

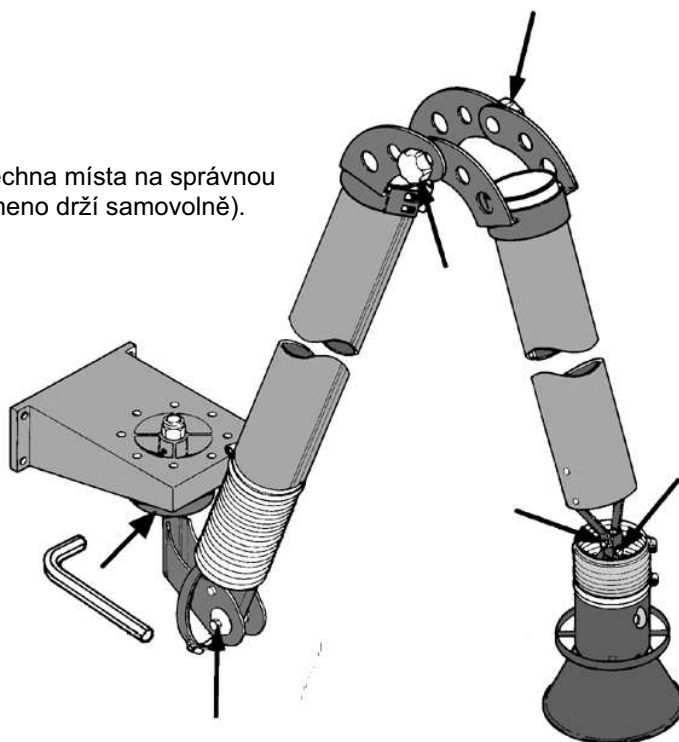
POZOR ! PODLOŽKA!



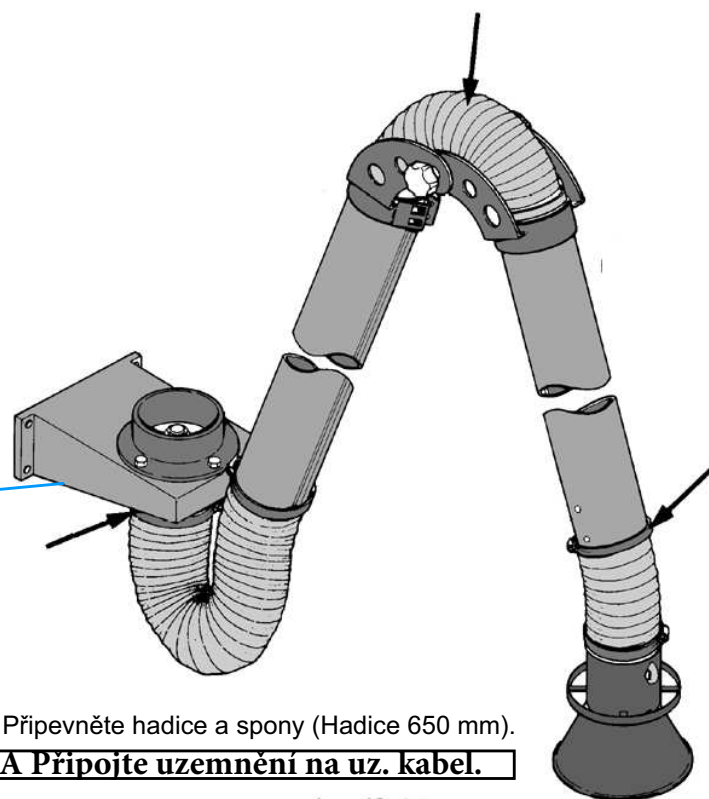
4. Připevněte hadici, stahovací pásek, madlo klobouku a klobouk na vnější rameno (hadice 400 mm).



5. Nastavte všechna místa na správnou hodnotu (rameno drží samovolně).

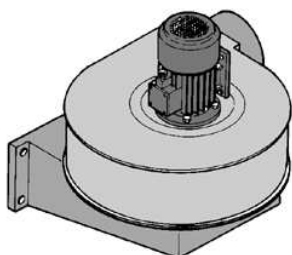


6-A



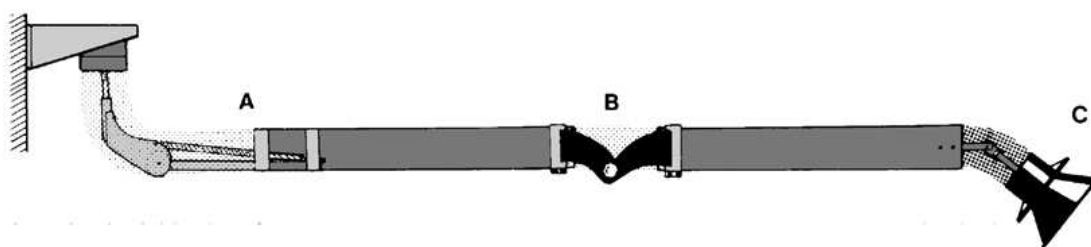
6. Připevněte hadice a spony (Hadice 650 mm).

6-A Připojte uzemnění na uz. kabel.



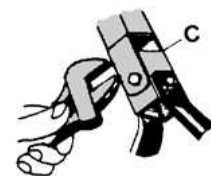
7. Připojte přírubu nebo ventilátor na konzolu.

POKYNY PRO ÚDRŽBU



A. Pokud rameno nedrží v požadované pozici :

1. Sundejte hadici v místě A.
2. Natáhněte rameno na plnou délku a do horizontální pozice. Povolte třecí brzdu dokud rameno nezačne padat k zemi. Povolte a utáhněte třecí brzdu dokud rameno nepřestane padat.
3. Pokud se s ramenem obtížně manipuluje do boku nebo se natáčí samo, musí se nastavit třecí šroub na kroužku.



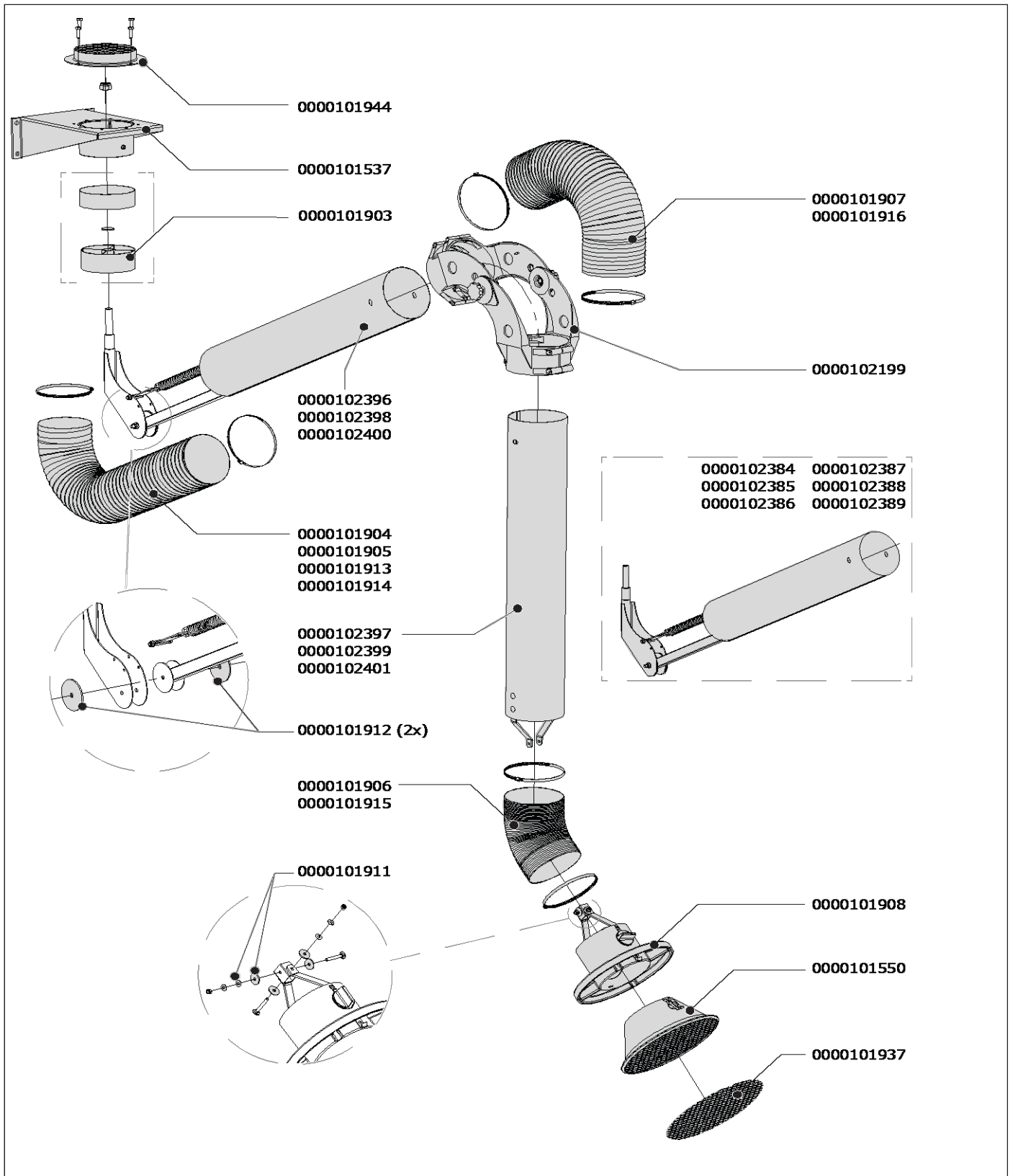
B. Pokud vnější rameno nezůstává v požadované pozici:

1. Nastavte vnější rameno vodorovně. Povolte třecí brzdu dokud rameno nezačne padat k zemi. Utáhněte třecí brzdu dokud nepřestane padat.

C. Pokud klobouk nedrží v požadované pozici:

1. Sundejte hadici C.
2. Nastavte přítlak dle obrázku, dokud klobouk nezůstane v požadované pozici.

Exploded view
KUA



Spare parts

KUA-2/3/4 general

#	Spare parts (EN)	Reserve-onderdelen (NL)	Ersatzteile (DE)	Pièces détachées (FR)
0000101537	Wall mounting bracket, complete	Wandconsole, compleet	Wandkonsole, komplett	Console murale, complète
0000101550	Hood with safety mesh	Kap met beschermgaas	Haube mit Gittergewebe	Hotte avec toile métallique
0000101903	Arm swivel ring KUA, incl. rubber collar and washer	Draaischarnier KUA, incl. manchet en onderlegging	Drehgelenk KUA, incl. Manschette und Unterlegscheibe	Joint tournant KUA, manchon et rondelle inclus
0000101906	Hose L=400 mm/Ø 161 mm, incl. 2 hose clamps	Slang L=400 mm/Ø 161 mm, incl. 2 slangklemmen	Schlauch L=400 mm/Ø 161 mm, incl. 2 Schlauchklemmen	Tuyau L=400 mm/Ø 161 mm, 2 colliers de serrage inclus
0000101907	Hose L=650 mm/Ø 161 mm, incl. 2 hose clamps	Slang L=650 mm/Ø 161 mm, incl. 2 slangklemmen	Schlauch L=650 mm/Ø 161 mm, incl. 2 Schlauchklemmen	Tuyau L=650 mm/Ø 161 mm, 2 colliers de serrage inclus
0000101908	Hood collar, incl. handle, damper and hood hinge	Kraag kap, incl. handgreep, regel-/afsluitklep en kapscharnier	Kragen für Haube, incl. Handgriff, Luftregulierklappe und Haubengelenk	Collet pour hotte, poignée, obturateur et charnière de la hotte inclus
0000101911	Friction washer (4) with spring washer (4)	Frictiering (4) met veerring (4)	Reibring (4) mit Federring (4)	Anneau de frottement (4) avec rondelle de ressort (4)
0000101912	Friction plate 83x10x3 mm (set of 2)	Frictieplaat 83x10x3 mm (set van 2)	Reibungsplatte 83x10x3 mm (Satz von 2 St.)	Plaque de frottement 83x10x3 mm (jeu de 2)
0000101937	Safety mesh Ø 300 mm	Beschermgaas Ø 300 mm	Gittergewebe Ø 300 mm	Toile métallique Ø 300 mm
0000101944	Fan inlet Ø 157 mm	Ventilatorinlaat Ø 157 mm	Ventilatoreinlass Ø 157 mm	Entrée de ventilateur Ø 157 mm
0000102199	Elbow joint KUA	Middenscharnier KUA	Ellenbogengelenk KUA	Articulation du coude KUA

KUA-2/H

#	Spare parts (EN)	Reserve-onderdelen (NL)	Ersatzteile (DE)	Pièces détachées (FR)
0000101904	Hose L=850 mm/Ø 161 mm, incl. 2 hose clamps	Slang L=850 mm/Ø 161 mm, incl. 2 slangklemmen	Schlauch L=850 mm/Ø 161 mm, incl. 2 Schlauchklemmen	Tuyau L=850 mm/Ø 161 mm, 2 colliers de serrage inclus
0000102384	Inner frame KUA-2/H, complete	Binnenframe KUA-2/H, compleet	Innenrahmen KUA-2/H, komplett	Châssis intérieur KUA-2/H, complet
0000102396	Inner tube KUA-2	Binnenste buis KUA-2	Innenrohr KUA-2	Tube intérieur KUA-2
0000102397	Outer tube KUA-2	Buitenste buis KUA-2	Außenrohr KUA-2	Tube extérieur KUA-2

KUA-3/H

#	Spare parts (EN)	Reserve-onderdelen (NL)	Ersatzteile (DE)	Pièces détachées (FR)
0000101905	Hose L=1000 mm/Ø 161 mm, incl. 2 hose clamps	Slang L=1000 mm/Ø 161 mm, incl. 2 slangklemmen	Schlauch L=1000 mm/Ø 161 mm, incl. 2 Schlauchklemmen	Tuyau L=1000 mm/Ø 161 mm, 2 colliers de serrage inclus
0000102385	Inner frame KUA-3/H, complete	Binnenframe KUA-3/H, compleet	Innenrahmen KUA-3/H, komplett	Châssis intérieur KUA-3/H, complet
0000102398	Inner tube KUA-3	Binnenste buis KUA-3	Innenrohr KUA-3	Tube intérieur KUA-3
0000102399	Outer tube KUA-3	Buitenste buis KUA-3	Außenrohr KUA-3	Tube extérieur KUA-3

KUA-4/H

#	Spare parts (EN)	Reserve-onderdelen (NL)	Ersatzteile (DE)	Pièces détachées (FR)
0000101905	Hose L=1000 mm/Ø 161 mm, incl. 2 hose clamps	Slang L=1000 mm/Ø 161 mm, incl. 2 slangklemmen	Schlauch L=1000 mm/Ø 161 mm, incl. 2 Schlauchklemmen	Tuyau L=1000 mm/Ø 161 mm, 2 colliers de serrage inclus
0000102386	Inner frame KUA-4/H, complete	Binnenframe KUA-4/H, compleet	Innenrahmen KUA-4/H, komplett	Châssis intérieur KUA-4/H, complet
0000102400	Inner tube KUA-4	Binnenste buis KUA-4	Innenrohr KUA-4	Tube intérieur KUA-4
0000102401	Outer tube KUA-4	Buitenste buis KUA-4	Außenrohr KUA-4	Tube extérieur KUA-4

Spare parts

KUA-2/S

#	Spare parts (EN)	Reserve-onderdelen (NL)	Ersatzteile (DE)	Pièces détachées (FR)
0000101904	Hose L=850 mm/Ø 161 mm, incl. 2 hose clamps	Slang L=850 mm/Ø 161 mm, incl. 2 slangklemmen	Schlauch L=850 mm/Ø 161 mm, incl. 2 Schlauchklemmen	Tuyau L=850 mm/Ø 161 mm, 2 colliers de serrage inclus
0000102387	Inner frame KUA-2/S, complete	Binnenframe KUA-2/S, compleet	Innenrahmen KUA-2/S, komplett	Châssis intérieur KUA-2/S, complet
0000102396	Inner tube KUA-2	Binnenste buis KUA-2	Innenrohr KUA-2	Tube intérieur KUA-2
0000102397	Outer tube KUA-2	Buitenste buis KUA-2	Außenrohr KUA-2	Tube extérieur KUA-2

KUA-3/S

#	Spare parts (EN)	Reserve-onderdelen (NL)	Ersatzteile (DE)	Pièces détachées (FR)
0000101905	Hose L=1000 mm/Ø 161 mm, incl. 2 hose clamps	Slang L=1000 mm/Ø 161 mm, incl. 2 slangklemmen	Schlauch L=1000 mm/Ø 161 mm, incl. 2 Schlauchklemmen	Tuyau L=1000 mm/Ø 161 mm, 2 colliers de serrage inclus
0000102388	Inner frame KUA-3/S, complete	Binnenframe KUA-3/S, compleet	Innenrahmen KUA-3/S, komplett	Châssis intérieur KUA-3/S, complet
0000102398	Inner tube KUA-3	Binnenste buis KUA-3	Innenrohr KUA-3	Tube intérieur KUA-3
0000102399	Outer tube KUA-3	Buitenste buis KUA-3	Außenrohr KUA-3	Tube extérieur KUA-3

KUA-4/S

#	Spare parts (EN)	Reserve-onderdelen (NL)	Ersatzteile (DE)	Pièces détachées (FR)
0000101905	Hose L=1000 mm/Ø 161 mm, incl. 2 hose clamps	Slang L=1000 mm/Ø 161 mm, incl. 2 slangklemmen	Schlauch L=1000 mm/Ø 161 mm, incl. 2 Schlauchklemmen	Tuyau L=1000 mm/Ø 161 mm, 2 colliers de serrage inclus
0000102389	Inner frame KUA-4/S, complete	Binnenframe KUA-4/S, compleet	Innenrahmen KUA-4/S, komplett	Châssis intérieur KUA-4/S, complet
0000102400	Inner tube KUA-4	Binnenste buis KUA-4	Innenrohr KUA-4	Tube intérieur KUA-4
0000102401	Outer tube KUA-4	Buitenste buis KUA-4	Außenrohr KUA-4	Tube extérieur KUA-4

Spare parts

KUA-2/H ATEX

#	Spare parts (EN)	Reserve-onderdelen (NL)	Ersatzteile (DE)	Pièces détachées (FR)
0000101913	Antistatic hose L=850 mm/Ø 161 mm, incl. 2 hose clamps	Antistatische slang L=850 mm/Ø 161 mm, incl. 2 slangklemmen	Antistatischer Schlauch L=850 mm/Ø 161 mm, incl. 2 Schlauchklemmen	Tuyau antistatique L=850 mm/Ø 161 mm, 2 colliers de serrage inclus
0000101915	Antistatic hose L=400 mm/Ø 161 mm, incl. 2 hose clamps	Antistatische slang L=400 mm/Ø 161 mm, incl. 2 slangklemmen	Antistatischer Schlauch L=400 mm/Ø 161 mm, incl. 2 Schlauchklemmen	Tuyau antistatique L=400 mm/Ø 161 mm, 2 colliers de serrage inclus
0000101916	Antistatic hose L=650 mm/Ø 161 mm, incl. 2 hose clamps	Antistatische slang L=650 mm/Ø 161 mm, incl. 2 slangklemmen	Antistatischer Schlauch L=650 mm/Ø 161 mm, incl. 2 Schlauchklemmen	Tuyau antistatique L=650 mm/Ø 161 mm, 2 colliers de serrage inclus
0000102384	Inner frame KUA-2/H, complete	Binnenframe KUA-2/H, compleet	Innenrahmen KUA-2/H, komplett	Châssis intérieur KUA-2/H, complet
0000102396	Inner tube KUA-2	Binnenste buis KUA-2	Innenrohr KUA-2	Tube intérieur KUA-2
0000102397	Outer tube KUA-2	Buitenste buis KUA-2	Außenrohr KUA-2	Tube extérieur KUA-2

KUA-3/H ATEX

#	Spare parts (EN)	Reserve-onderdelen (NL)	Ersatzteile (DE)	Pièces détachées (FR)
0000101914	Antistatic hose L=1000 mm/Ø 161 mm, incl. 2 hose clamps	Antistatische slang L=1000 mm/Ø 161 mm, incl. 2 slangklemmen	Antistatischer Schlauch L=1000 mm/Ø 161 mm, incl. 2 Schlauchklemmen	Tuyau antistatique L=1000 mm/Ø 161 mm, 2 colliers de serrage inclus
0000101915	Antistatic hose L=400 mm/Ø 161 mm, incl. 2 hose clamps	Antistatische slang L=400 mm/Ø 161 mm, incl. 2 slangklemmen	Antistatischer Schlauch L=400 mm/Ø 161 mm, incl. 2 Schlauchklemmen	Tuyau antistatique L=400 mm/Ø 161 mm, 2 colliers de serrage inclus
0000101916	Antistatic hose L=650 mm/Ø 161 mm, incl. 2 hose clamps	Antistatische slang L=650 mm/Ø 161 mm, incl. 2 slangklemmen	Antistatischer Schlauch L=650 mm/Ø 161 mm, incl. 2 Schlauchklemmen	Tuyau antistatique L=650 mm/Ø 161 mm, 2 colliers de serrage inclus
0000102385	Inner frame KUA-3/H, complete	Binnenframe KUA-3/H, compleet	Innenrahmen KUA-3/H, komplett	Châssis intérieur KUA-3/H, complet
0000102398	Inner tube KUA-3	Binnenste buis KUA-3	Innenrohr KUA-3	Tube intérieur KUA-3
0000102399	Outer tube KUA-3	Buitenste buis KUA-3	Außenrohr KUA-3	Tube extérieur KUA-3

KUA-4/H ATEX

#	Spare parts (EN)	Reserve-onderdelen (NL)	Ersatzteile (DE)	Pièces détachées (FR)
0000101914	Antistatic hose L=1000 mm/Ø 161 mm, incl. 2 hose clamps	Antistatische slang L=1000 mm/Ø 161 mm, incl. 2 slangklemmen	Antistatischer Schlauch L=1000 mm/Ø 161 mm, incl. 2 Schlauchklemmen	Tuyau antistatique L=1000 mm/Ø 161 mm, 2 colliers de serrage inclus
0000101915	Antistatic hose L=400 mm/Ø 161 mm, incl. 2 hose clamps	Antistatische slang L=400 mm/Ø 161 mm, incl. 2 slangklemmen	Antistatischer Schlauch L=400 mm/Ø 161 mm, incl. 2 Schlauchklemmen	Tuyau antistatique L=400 mm/Ø 161 mm, 2 colliers de serrage inclus
0000101916	Antistatic hose L=650 mm/Ø 161 mm, incl. 2 hose clamps	Antistatische slang L=650 mm/Ø 161 mm, incl. 2 slangklemmen	Antistatischer Schlauch L=650 mm/Ø 161 mm, incl. 2 Schlauchklemmen	Tuyau antistatique L=650 mm/Ø 161 mm, 2 colliers de serrage inclus
0000102386	Inner frame KUA-4/H, complete	Binnenframe KUA-4/H, compleet	Innenrahmen KUA-4/H, komplett	Châssis intérieur KUA-4/H, complet
0000102400	Inner tube KUA-4	Binnenste buis KUA-4	Innenrohr KUA-4	Tube intérieur KUA-4
0000102401	Outer tube KUA-4	Buitenste buis KUA-4	Außenrohr KUA-4	Tube extérieur KUA-4

PLYMOVENT[®]
clean air at work



0000101887/071013/A KUA

www.plymovent.com