

- EN** Extraction fan
- NL** Afzuigventilator
- DE** Absaugventilator
- FR** Ventilateur d'aspiration
- ES** Ventilador de aspiración
- SE** Utsugsfläkt

FUA-1300/4700



- EN** User manual
- NL** Gebruikershandleiding
- DE** Betriebsanleitung
- FR** Manuel opérateur
- ES** Instrucciones para el uso
- SE** Bruksanvisning

TABLE OF CONTENTS

ENGLISH	Page
Preface	3
1 Introduction	3
2 Product description	4
3 Safety	4
4 Installation	5
5 Use	8
6 Maintenance	8
7 Troubleshooting	8
8 Spare parts	9
9 Electrical diagram	9
10 Disposal	9
CE declaration	9

NEDERLANDS	Pag.
Voorwoord	10
1 Inleiding	10
2 Productbeschrijving	11
3 Veiligheid	11
4 Installatie	12
5 Gebruik	15
6 Onderhoud	15
7 Verhelpen van storingen	15
8 Reserveonderdelen	16
9 Elektrisch schema	16
10 Afdanken	16
CE-verklaring	16

DEUTSCH	Seite
Vorwort	17
1 Einleitung	17
2 Product description	18
3 Sicherheitsvorschriften	18
4 Installation	19
5 Gebrauch	22
6 Wartung	22
7 Fehlerbehebung	22
8 Ersatzteile	23
9 Schaltplan	23
10 Entsorgung	23
EG-Konformitätserklärung	23

FRANÇAIS	Page
Avant-propos	24
1 Introduction	24
2 Description de produit	25
3 Instructions de sécurité	25
4 Installation	26
5 Utilisation	29
6 Entretien	29
7 Réparation des pannes	29
8 Pièces détachées	30
9 Schéma électrique	30
10 Mettre au rancart	30
Déclaration de conformité	30

ESPAÑOL	Pág.
Preámbulo	31
1 Introducción	31
2 Descripción del producto	32
3 Normativas de seguridad	32
4 Installation	33
5 Uso	36
6 Mantenimiento	36
7 Subsanación de fallos	36
8 Piezas de recambio	37
9 Esquema eléctrico	37
10 Desechar	37
Declaración	37

SVENSKA	Sida
Förord	38
1 Introduktion	38
2 Produktbeskrivning	39
3 Säkerhetsinformation	39
4 Installation	40
5 Användning	43
6 Underhåll	43
7 Felsökning	43
8 Reservdelar	44
9 Elschema	44
10 Omhändertagande	44
CE-försäkran om överensstämmelse	44






PREFACE

Using this manual

This manual is intended to be used as a work of reference for professional, well-trained and authorised users to be able to safely install, maintain and repair the product mentioned on the cover of this document.

Pictograms and symbols

The following pictograms and symbols are used in this manual:

	TIP Suggestions and recommendations to simplify carrying out tasks and actions.
	ATTENTION! A remark with additional information for the user. A remark brings possible problems to the user's attention.
	WARNING! Procedures which, if not carried out with the necessary caution, may damage the product or cause serious personal injury.
	WARNING! Denotes risk of electric shock.
	WARNING! Important warning to prevent fire.

Text indicators

Listings indicated by “-” (hyphen) concern enumerations. Listings indicated by “•” (bullet point) describe steps to perform.

Service and technical support

For information about specific adjustments, maintenance or repair jobs which are not dealt with in this manual, please contact the supplier of the product. Make sure you have the following specifications at hand:

- product name
- serial number

These data can be found on the identification plate.

1 INTRODUCTION

1.1 Identification of the product

The identification plate contains, among other things, the following data:

- product name
- serial number
- supply voltage and frequency
- power consumption

1.2 General description

The FUA is an extraction fan that is especially designed to remove welding fumes and other harmful fumes as dust, oil mist and exhaust gases.

The fan is intended and designed for mounting to extraction arms and filter units.

1.3 Product combinations

The fan can be used with all filter units, fume extraction and hose reel/drop systems.

1.4 Options and accessories

The following products can be obtained as an option and/or accessory:

- Mounting bracket (for mounting the fan as a standalone fan or wall/ceiling mounting)
 - FUA-1300/1800/2100: MB-FUA/S1
 - FUA-3000/4700: MB-FUA/S2
- Mounting bracket (for mounting the fan on the UK and FlexMax extractors)
 - FUA-1300/1800/2100: MB-FUA/C1
 - FUA-3000/4700: MB-FUA/C2
- Outlet transition
 - FUA-3000: OL-250 (Ø 250 mm)
 - FUA-4700: OL-250 (Ø 250 mm)
 - FUA-4700: OL-315 (Ø 315 mm)
- Soft connection
 - FUA-1300/1800/2100: SC-160 (inlet/outlet)
 - FUA-3000/4700: SC-250 (inlet/outlet)
 - FUA-4700: SC-315 (outlet)

1.5 Technical specifications

Motor design	IE2
Speed of revolutions	2800 rpm
Insulation class	F
Protection class	IP 55
Max. starts/stops per hour	30
Max. airflow temperature	80°C (176°F)
Noise level according to ISO 3746 (pressure and suction side duct connected)	
- FUA-1300	63 dB(A)
- FUA-1800	64 dB(A)
- FUA-2100	66 dB(A)
- FUA-3000	68 dB(A)
- FUA-4700	66 dB(A)
Connection voltages	
- FUA-1300	230V/1~/50Hz; 230-400V/3~/50Hz
- FUA-1800	230-400V/3~/50Hz
- FUA-2100	230V/1~/50Hz; 230-400V/3~/50Hz
- FUA-3000	230-400V/3~/50Hz
- FUA-4700	230-400V/3~/50Hz
Power	
- FUA-1300	0,37kW (0.5 HP)
- FUA-1800	0,55kW (0.75 HP)
- FUA-2100	0,75kW (1 HP)
- FUA-3000	1,1kW (1.5 HP)
- FUA-4700	2,2kW (3 HP)
Nominal current	
- FUA-1300	1~: 2,75 A; 3~: 1,02/1,1 A
- FUA-1800	1,4-1,5 A
- FUA-2100	1~: 5 A; 3~: 1,9-2 A
- FUA-3000	2,5-2,7 A
- FUA-4700	4,8-4,9 A



Refer to the available product data sheet for detailed specifications.

1.6 Dimensions

Refer to Fig. I on page 45.

Fig. I

L = Fan wheel (not shown)

1 = diameter

2 = width

1.7 Pressure drop

Refer to Fig. II on page 46.

Fig. II

A = Static pressure (Pa)

B = Airflow (m³/h)

1.8 Ambient conditions

Min. operating temperature	5°C (41°F)
Nom. operating temperature	20°C (68°F)
Max. operating temperature	40°C (104°F)
Max. relative humidity	80%

2 PRODUCT DESCRIPTION

2.1 Components

The fan consists of the following main components:

Fig. 2.1/ Fig. 2.2

A outlet

B motor

C housing

D inlet

E fan wheel

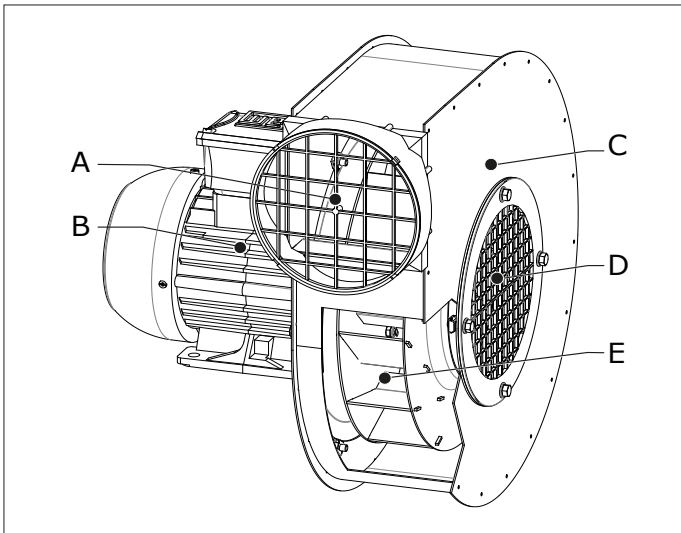


Fig. 2.1 Main components FUA-1300/1800/2100

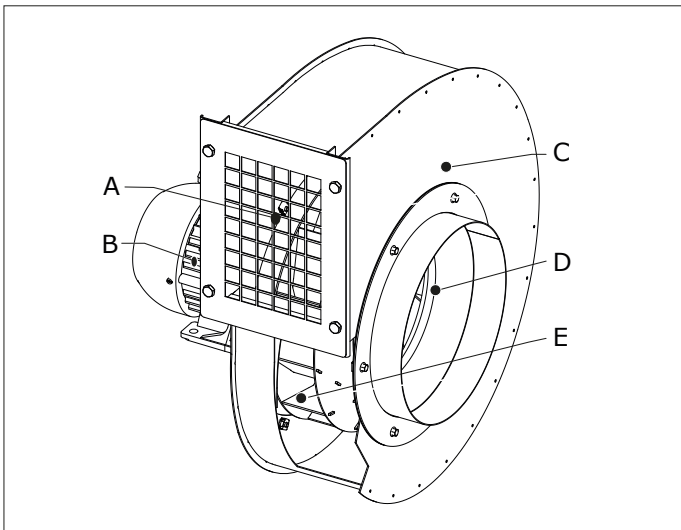


Fig. 2.2 Main components FUA-3000/4700

2.2 Operation

The inlet at the back of the fan is to be connected to the outlet of a central filter system, extraction arm or vehicle exhaust extraction system. The extracted air is blown out at the side of the fan through a duct.

There are various options to control the fan.

2.2.1 Control equipment

Plymovent provides control equipment for controlling the fan. Refer to the manual of the selected control equipment.

3 SAFETY

General

The manufacturer does not accept any liability for damage to the product or personal injury caused by ignoring of the safety instructions in this manual, or by negligence during installation, use, maintenance, and repair of the product mentioned on the cover of this document and any corresponding accessories. Specific working conditions or used accessories may require additional safety instructions. Immediately contact your supplier if you detect a potential danger when using the product.

The user of the product is always fully responsible for observing the local safety instructions and regulations.

User manual

- Everyone working on or with the product must be familiar with the contents of this manual and must strictly observe the instructions therein. The management should instruct the personnel in accordance with the manual and observe all instructions and directions given.
- Never change the order of the steps to perform.
- Always keep the manual with the product.

Pictograms and instructions on the product (if present)

- The pictograms, warning and instructions attached to the product are part of the safety features. They must not be covered or removed and must be present and legible during the entire life of the product.
- Immediately replace or repair damaged or illegible pictograms, warnings and instructions.

Users

The use of this product is exclusively reserved to authorised, well-trained and qualified users. Temporary personnel and personnel in training can only use the product under supervision and responsibility of skilled engineers.

Intended use¹

The product has been designed as an extraction fan for extracting fumes and gases which are released during the most common welding processes, as well as the extraction of exhaust gases. Using the product for other purposes is considered contrary to its intended use. The manufacturer accepts no liability for any damage or injury resulting from such use. The product has been built in accordance with state-of-the-art standards and recognised safety regulations. Only use this product when in technically perfect condition in accordance with its intended use and the instructions explained in the user manual.

Technical specifications

The specifications given in this manual must not be altered.

1. "Intended use" as explained in EN-ISO 12100 is the use for which the technical product is suited as specified by the manufacturer, inclusive of his directions in the sales brochure. In case of doubt it is the use which can be deduced from the construction, the model and the function of the technical product which is considered normal use. Operating the machine within the limits of its intended use also involves observing the instructions in the user manual.



Modifications

Modification of (parts of) the product is not allowed.

Installation

- The installation of this product is exclusively reserved to authorised, well-trained and qualified engineers.
- Inspect the product and check it for damage. Verify the functioning of the safety features.
- Electric connection is to be executed in accordance with local requirements. Ensure compliance with the EMC regulatory arrangements.
- During installation, always use Personal Protective Equipment (PPE) to avoid injury. This also applies to persons who enter the work area during installation.
- Never install the product in front of entrances and exits which must be used for emergency services.
- Mind any gas and water pipes and electric cables.
- Make sure that the workshop, in the vicinity of the product, contains sufficient approved fire extinguishers.

Use

	WARNING Fire hazard! Never use the product for: <ul style="list-style-type: none">- extracting flammable, glowing or burning particles or solids or liquids- extracting of aggressive fumes (such as hydrochloric acid) or sharp particles- sucking cigarettes, cigars, oiled tissues, and other burning particles, objects, and acids
	WARNING! Never use the product for: <ul style="list-style-type: none">- aluminium laser cutting- paint mist- extraction of hot gases (more than 80°C/176°F continuously)- grinding aluminium and magnesium- flame spraying- extraction of cement, saw dust, wood dust etc.- sucking cigarettes, cigars, oiled tissues and other burning particles, objects and acids- explosive environments or explosive substances/ gases <i>Note: this list is not all-embracing.</i>

- Check the working environment. Do not allow unauthorised persons to enter the working environment.
- Protect the product against water and humidity.
- Make sure the room is always sufficiently ventilated; this applies especially to confined spaces.
- Use common sense. Stay alert and keep your attention to your work. Do not use the product when you are under the influence of drugs, alcohol or medicine.

Service, maintenance and repairs

- During service, maintenance and repair jobs, always use Personal Protective Equipment (PPE) to avoid injury. This also applies to persons who enter the work area during installation.
- Always use tools, materials, lubricants and service techniques which have been approved by the manufacturer. Never use worn tools and do not leave any tools in or on the product.
- Safety features which have been removed for service, maintenance or repairs, must be put back immediately after finishing these jobs and it must be checked that they still function properly.

4 INSTALLATION

4.1 Unpacking

Check that the product is complete. The package should contain:

- extraction fan

Options and accessories

The MB-FUA/S1-2 should contain:

- mounting bracket
- connection flange with grid (S1 only)
- tube clamps (4)
- hardware

The MB-FUA/C1-2 should contain:

- mounting bracket
- connection flange (C1 only)
- hardware

The OL (outlet transition) should contain:

- square to round outlet transition

The SC (soft connection) should contain:

- soft connection with 2 hose clamps

If parts are missing or damaged, contact your supplier.

4.2 Installation

4.2.1 Tools and requirements

The following tools and requirements are needed to install the product:

- wrench 10
- wrench 13
- wrench 17
- screwdriver

4.2.2 Installing the fan on an MB-FUA-S1/S2

For use as a standalone or for mounting on the wall, ceiling or a platform. The motor can be installed resting on the stand. The motor of the FUA-1300/1800/2100 can also be installed upside down (hanging from the stand, not shown).

To install the fan on an MB-FUA-S1/S2 stand, proceed as follows:

Fig. 4.1

- Install the stand in the desired place.
- Attach the tube clamps (B) as desired, if applicable.
- Tighten the tube clamps with suitable hardware (not supplied; material depending on wall, floor or ceiling type).
- Position the fan on the stand as desired.
- Tighten the bolts (A).

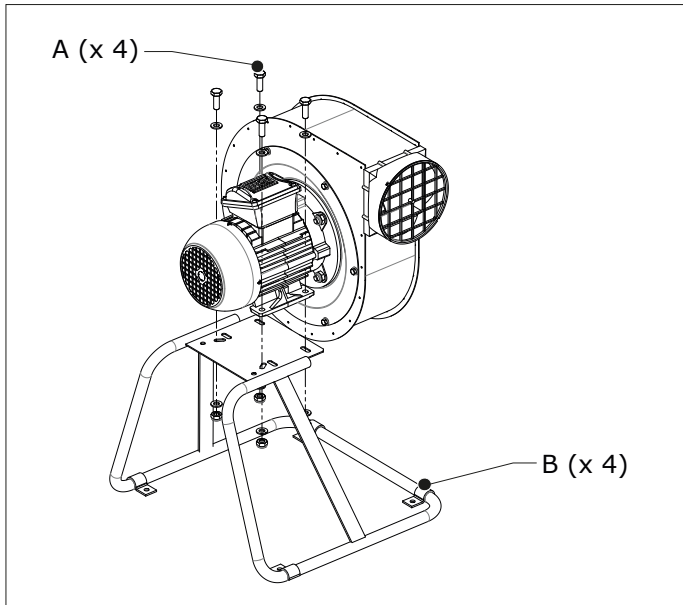


Fig. 4.1 Installing the fan on an MB-FUA-S1/S2

4.2.3 Installing the fan on an MB-FUA-C1/C2

For use on an extractor (UK or FlexMax) or use with vehicle exhaust extraction systems.

To install the fan on an MB-FUA-C1/C2 bracket, proceed as follows:

Fig. 4.2

- Use the mounting holes (A) and suitable hardware (not supplied, material depending on wall type) to install the bracket on the wall.
- Position the fan on the bracket.
- Tighten the bolts (B).

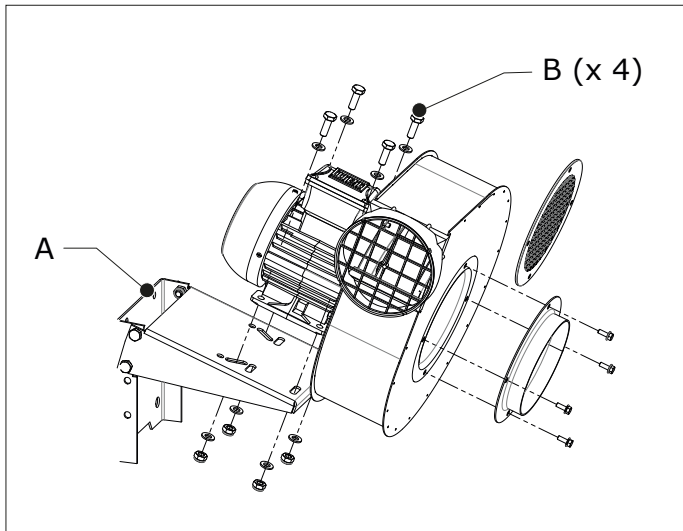


Fig. 4.2 Installing the fan on an MB-FUA-C1/C2

4.2.4 Changing the outlet position

The fan outlet can be positioned in various directions (see Fig. 4.3).

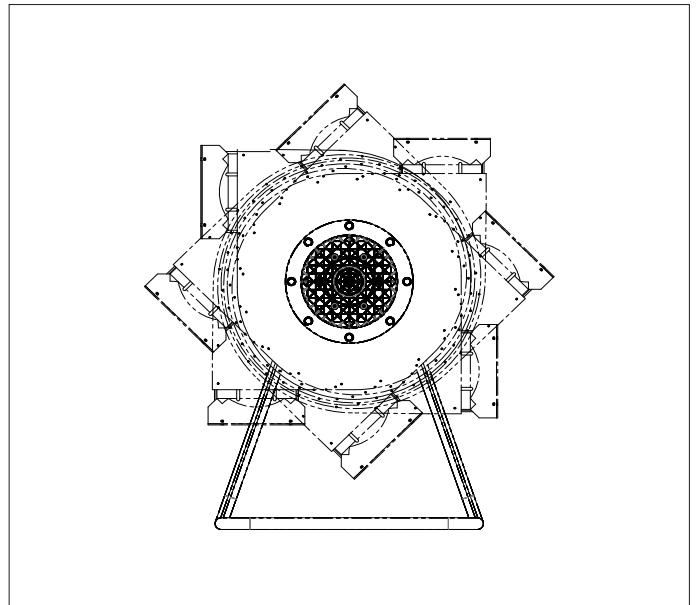


Fig. 4.3 Variable outlet position

To change the outlet position of the fan, proceed as follows:

Fig. 4.4

- Define the desired outlet position.
- If necessary, loosen the motor plate by unscrewing the bolts (A).
- Turn the motor in the desired position.
- Tighten the bolts of the motor plate.

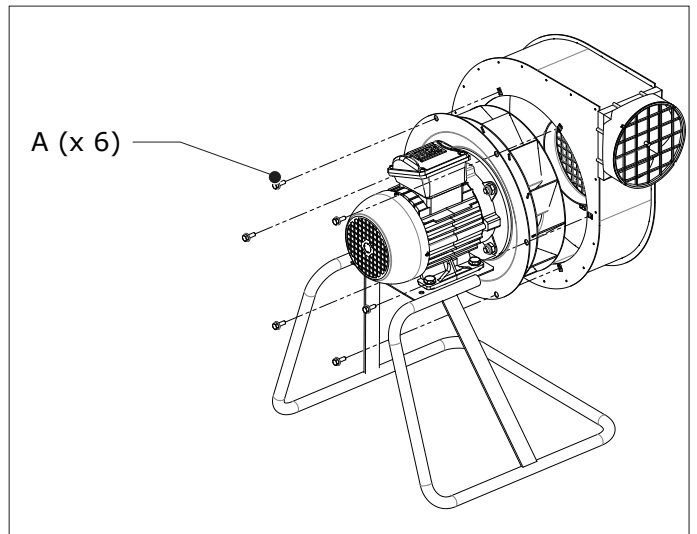


Fig. 4.4 Changing the outlet position

4.2.5 Installing the fan directly on an arm

The FUA-1300/1800/2100 can be used on the KUA or LM-2 extraction arm. In that case, no additional bracket is needed. The necessary hardware is delivered with the arm.

To install the fan directly on the arm, proceed as follows.

Fig. 4.5

- Loosen the bolts of the inlet grid (A).
- Remove the inlet grid.
- Position the inlet of the fan on the bracket.
- Tighten the bolts (B).

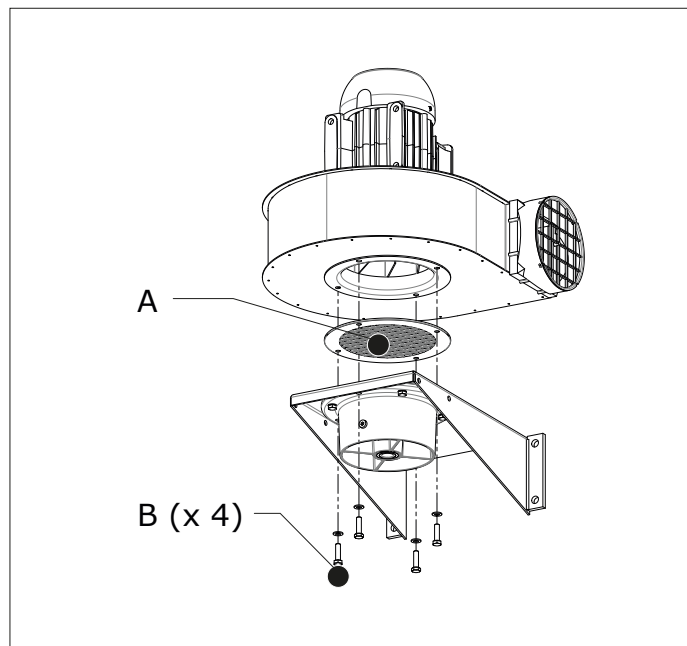


Fig. 4.5 Installing the fan directly on an arm

4.2.6 Connecting the fan inlet to a hose (FUA-1300/1800/2100)

We advise the use of a soft connection for the inlet to reduce the noise and the vibrations of the fan.

To connect the fan inlet to a hose, proceed as follows:

Fig. 4.6

- Loosen the bolts of the inlet grid (A).
- Remove the grid.
- Install the connection flange (B) with the bolts of the inlet grid.
- Tighten the bolts.
- Attach the soft connection to the connection flange.
- Tighten the hose clamp (C).
- Attach the soft connection to the hose.
- Tighten the hose clamp (D).

4.2.7 Connecting the fan outlet to a duct (FUA-1300/1800/2100)

	ATTENTION! In case the fan is not placed directly next to the filter system, make sure the extraction duct is sufficiently supported.
--	-------------------------------------------------------------------------------------------------------------------------------------------------

We advise the use of a soft connection for the outlet to reduce the noise and the vibrations of the fan and to avoid damage to the duct.

To connect the fan outlet to a duct, proceed as follows:

Fig. 4.6

- Attach the soft connection to the outlet of the fan.
- Tighten the hose clamp (E).
- Attach the soft connection to the duct.
- Tighten the hose clamp (F).

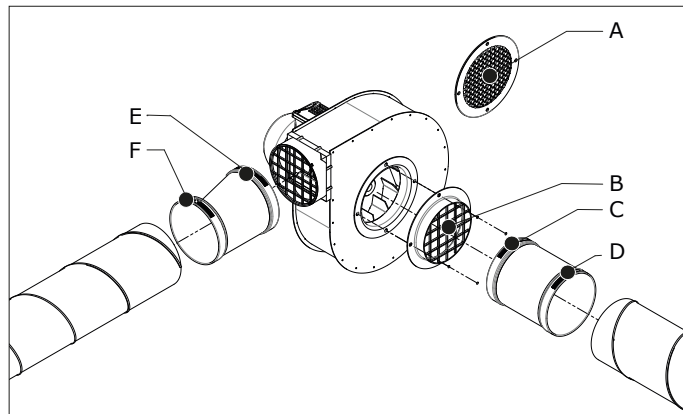


Fig. 4.6 Connecting the fan to a hose and duct (FUA-1300/1800/2100)

4.2.8 Connecting the fan inlet to a hose (FUA-3000/4700)

We advise the use of a soft connection for the inlet to reduce the noise and the vibrations of the fan.

To connect the fan inlet to a hose, proceed as follows:

Fig. 4.7

- Attach the soft connection to the connection flange.
- Tighten the hose clamp (B).
- Attach the soft connection to the hose.
- Tighten the hose clamp (C).

4.2.9 Connecting the fan outlet to a duct (FUA-3000/4700)

	ATTENTION! In case the fan is not placed directly next to the filter system, make sure the extraction duct is sufficiently supported.
--	-------------------------------------------------------------------------------------------------------------------------------------------------

We advise the use of a soft connection for the outlet to reduce the noise and the vibrations of the fan and to avoid damage to the duct. In addition, we advise the use of a (square to round) outlet transition.

To connect the fan outlet to a duct, proceed as follows:

Fig. 4.7

- Loosen the bolts of the outlet grid (A).
- Remove the grid.
- Attach the outlet transition to the outlet of the fan with the bolts of the grid (D).
- Tighten the bolts.
- Attach the soft connection to the outlet transition.
- Tighten the hose clamp (E).
- Attach the soft connection to the duct.
- Tighten the hose clamp (F).

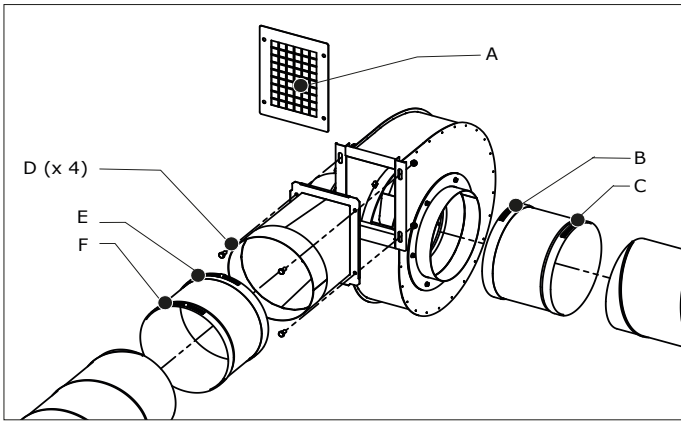


Fig. 4.7 Connecting the fan to a hose and duct (FUA-3000/4700)

4.3 Electric connection

	<p>ATTENTION! Electric connection to be executed in accordance with local requirements. Ensure compliance with the EMC regulatory arrangements.</p>
	<p>WARNING! Make sure that the fan is suitable for connection to the local mains. Information about the connection voltage and frequency can be found on the identification plate. The cables must be connected in conformance with the local rules and regulations and can only be carried out by qualified and authorised technicians.</p>

The default setting for the 3~ fans is 400V. If another voltage is used, the wiring must be changed according to the instructions on the identification plate.

To connect the starting device, proceed as follows:

- Connect the fan to the chosen starting device according to the information on the identification plate on the motor.
- Connect the starting device to the mains according to the separately supplied electrical diagram.
- Check the direction of rotation of the motor. For this purpose the fan contains an arrow indicating the prescribed direction of rotation. The rotation is visible through the grid of the motor.
- If necessary, invert the connection of the phases.

5 USE

Refer to the documentation supplied with the selected control equipment how to control the fan.

6 MAINTENANCE

The fans require no specific maintenance.

7 TROUBLESHOOTING

If the product does not function (correctly), consult the checklist below to see if you can remedy the error yourself. Should this not be possible, contact your supplier.

	<p>WARNING! Always switch off the machine and disconnect it from the mains before carrying out the activities below. First read the maintenance regulations at the beginning of this manual.</p>
--	--------------------------------------------------------------------------------------------------------------------------------------------------------------------------------------------------------------------

Symptom	Problem	Possible cause	Solution
Motor does not start.	Machine does not function.	No mains voltage.	Check the mains voltage.
		Mains cord defective.	Repair or replace mains cord.
		Loose contacts.	Repair the contacts.
		Motor protection switch defective.	Replace the motor protection switch.
Motor makes a humming sound, but does not run.	Machine does not function.	Motor uses 2 phases instead of 3 (three-phase motor only).	Repair the phase connection.
		Motor capacitor defective/not connected (single phase motor only).	Repair or replace the motor capacitor.
Motor stops automatically.	Machine does not function.	Motor protection switch activated.	Let the machine cool down for some time. Check setting of motor protection switch (MPS) according to electrical diagram.
		Motor defective.	Repair or replace the motor.
Poor suction.	Machine does not function properly.	Inverted direction of rotation of the motor (three-phase motor only).	Change the direction of rotation.
		Motor defective.	Repair or replace the motor.
		Extraction fan polluted.	Clean the extraction fan.
		Outside air is being extracted.	Check or replace the sealing material.
Vibrations in the machine.	Machine not steady.	Imbalance in the extraction fan.	Clean the extraction fan.

8 SPARE PARTS

The following spare parts are available for the product. Refer to the exploded views on page 47:

- Fig. III for the FUA-1300/1800/2100;
- Fig. IV for the FUA-3000/4700.

Article number	Description
FUA-1300	
0000100580	Fan wheel FUA-1300
0000100585	Inlet flange FUA-1300/1800
0000100588	Outlet grid FUA-1300/1800/2100
0000100589	Motor FUA-1300; 230-400V/3ph/50Hz
0000100590	Motor FUA-1300; 230V/1ph/50Hz
0000100597	Inlet grid (fine) FUA-1300/1800/2100
0000100995	Connection flange with grid FUA-1300/1800/2100
FUA-1800	
0000100581	Fan wheel FUA-1800
0000100585	Inlet flange FUA-1300/1800
0000100588	Outlet grid FUA-1300/1800/2100
0000100591	Motor FUA-1800; 230-400V/3ph/50H
0000100597	Inlet grid (fine) FUA-1300/1800/2100
0000100995	Connection flange with grid FUA-1300/1800/2100
FUA-2100	
0000100582	Fan wheel FUA-2100
0000100586	Inlet flange FUA-2100
0000100588	Outlet grid FUA-1300/1800/2100
0000100592	Motor FUA-2100; 230-400V/3ph/50Hz
0000100593	Motor FUA-2100; 230V/1ph/50Hz
0000100597	Inlet grid (fine) FUA-1300/1800/2100
0000100995	Connection flange with grid FUA-1300/1800/2100
FUA-3000	
0000100583	Fan wheel FUA-3000
0000100594	Motor FUA-3000; 230-400V/3ph/50Hz
FUA-4700	
0000100584	Fan wheel FUA-4700
0000100595	Motor FUA-4700; 230-400V/3ph/50Hz

CE DECLARATION

CE declaration of conformity for machinery

We, Plymovent Manufacturing BV, Wezelkoog 11, 1822 BL Alkmaar, the Netherlands, herewith declare, on our own responsibility, that the product(s):

- FUA-1800
- FUA-2100
- FUA-3000
- FUA-4700

which this declaration refers to, are in accordance with the conditions of the following Directive:

- Machine Directive 2006/42 EC
- EMC directive 2004/108 EC
- LVD 2006/95/EC
- ErP directive 2009/125/EC

Alkmaar, the Netherlands, 1 December 2012



Ir. F. Coehoorn
Vice President Research & Development

An installation is defined as a combination of several finished products or components that are assembled by an installer at a given place. The various parts of the installation are intended to operate together in a particular environment and to perform a specific task. The entire installation must comply with the relevant directives and standards. The assembly instructions given by the manufacturer, as well as the whole method of installation, must be in accordance with good engineering practices within the context of installations, as well as installation rules. Considering the above, the installer will be responsible for completing the installation and issuing the final CE Declaration of Conformity.

9 ELECTRICAL DIAGRAM

Refer to the separately supplied electrical diagram.

10 DISPOSAL

After life of the product, dispose it of in accordance with federal, state or local regulations.






VOORWOORD

Gebruik van deze handleiding

Deze handleiding is bedoeld als naslagwerk waarmee professionele, geschoolde en daartoe bevoegde gebruikers het aan de voorzijde van dit document vermelde product op veilige wijze kunnen installeren, gebruiken, onderhouden en repareren.

Pictogrammen en symbolen

In deze handleiding worden de volgende pictogrammen en symbolen gebruikt:

	TIP Suggesties en adviezen om de betreffende taken of handelingen gemakkelijker te kunnen uitvoeren.
	LET OP! Een opmerking met aanvullende informatie voor de gebruiker. Een opmerking maakt de gebruiker attent op mogelijke problemen.
	WAARSCHUWING! Procedures die -wanneer ze niet met de nodige voorzichtigheid worden uitgevoerd- ernstige schade aan het product of lichamelijk letsel tot gevolg kunnen hebben.
	WAARSCHUWING! Gevaar voor elektrische spanning.
	WAARSCHUWING! Belangrijke waarschuwing ter voorkoming van brand.

Tekstaanduidingen

Tekst aangegeven met een "-" (koppelteken) betreft een opsomming. Tekst aangegeven met een "•" (bulletpoint) beschrijft de te verrichten stappen.

Service en technische ondersteuning

Voor informatie betreffende specifieke afstellingen, onderhouds- of reparatiewerkzaamheden die buiten het bestek van deze handleiding vallen, gelieve contact op te nemen met de leverancier van het product. Zorg ervoor dat u de volgende gegevens bij de hand heeft:

- productnaam
- serienummer

Deze gegevens vindt u op het identificatieplaatje.

1 INLEIDING

1.1 Identificatie van het product

Het identificatieplaatje bevat o.a. de volgende gegevens:

- productnaam
- serienummer
- aansluitspanning en frequentie
- vermogen

1.2 Algemene beschrijving

De FUA is een afzuigventilator die speciaal ontworpen is voor het verwijderen van lasrook en andere schadelijke dampen zoals stof, olienevel en uitlaatgassen.

De ventilator is bedoeld en ontworpen voor montage op afzuigarmen en filterunits.

1.3 Productcombinaties

De ventilator kan worden gebruikt met alle filterunits, en rookafzuig- en slanghaspel/ophangsystemen.

1.4 Opties en accessoires

Voor het product zijn de volgende opties en accessoires beschikbaar:

- Staander (vrijstaand of montage op muur, plafond of platform)
 - FUA-1300/1800/2100: MB-FUA/S1
 - FUA-3000/4700: MB-FUA/S2
- Kraanbevestigingsbeugel (voor montage op UK of FlexMax)
 - FUA-1300/1800/2100: MB-FUA/C1
 - FUA-3000/4700: MB-FUA/C2
- Uitlaatadapter
 - FUA-3000: OL-250 (Ø 250 mm)
 - FUA-4700: OL-250 (Ø 250 mm)
 - FUA-4700: OL-315 (Ø 315 mm)
- Zachte aansluiting
 - FUA-1300/1800/2100: SC-160 (inlaat/uitlaatdeel)
 - FUA-3000/4700: SC-250 (inlaat/uitlaatdeel)
 - FUA-4700: SC-315 (uitlaatdeel)

1.5 Technische specificaties

Bouwworm motor	IE2
Toerental	2800 rpm
Isolatieklasse	F
Beschermingsklasse	IP 55
Max. aantal starts/stops per uur	30
Max. luchtstroomtemperatuur	80°C
Geluidsniveau volgens ISO 3746 (aangesloten kanaal druk- en zuigzijde)	
- FUA-1300	63 dB(A)
- FUA-1800	64 dB(A)
- FUA-2100	66 dB(A)
- FUA-3000	68 dB(A)
- FUA-4700	66 dB(A)
Aansluitspanningen	
- FUA-1300	230V/1~/50Hz; 230-400V/3~/50Hz
- FUA-1800	230-400V/3~/50Hz
- FUA-2100	230V/1~/50Hz; 230-400V/3~/50Hz
- FUA-3000	230-400V/3~/50Hz
- FUA-4700	230-400V/3~/50Hz
Vermogen	
- FUA-1300	0,37kW (0.5 HP)
- FUA-1800	0,55kW (0.75 HP)
- FUA-2100	0,75kW (1 HP)
- FUA-3000	1,1kW (1.5 HP)
- FUA-4700	2,2kW (3 HP)
Nominale stroom	
- FUA-1300	1~: 2,75 A; 3~: 1,02/1,1 A
- FUA-1800	1,4-1,5 A
- FUA-2100	1~: 5 A; 3~: 1,9-2 A
- FUA-3000	2,5-2,7 A
- FUA-4700	4,8-4,9 A



Zie het beschikbare productinformatieblad voor gedetailleerde productspecificaties.

1.6 Afmetingen

Zie Fig. I op pagina 45.

Fig. I

L = Ventilatorwiel (niet afgebeeld)

1 = diameter

2 = breedte

1.7 Drukverlies

Zie Fig. II op pagina 46.

Fig. II

A = Statische druk (Pa)

B = Luchtstroom (m³/h)

1.8 Omgevingscondities

Min. bedrijfstemperatuur	5°C
Nom. bedrijfstemperatuur	20°C
Max. bedrijfstemperatuur	40°C
Max. relatieve vochtigheid	80%

2 PRODUCTBESCHRIJVING

2.1 Componenten

De ventilator bestaat uit de volgende hoofdcomponenten:

Fig. 2.1/ Fig. 2.2

A uitlaatdeel

B motor

C behuizing

D inlaat

E ventilatorwiel

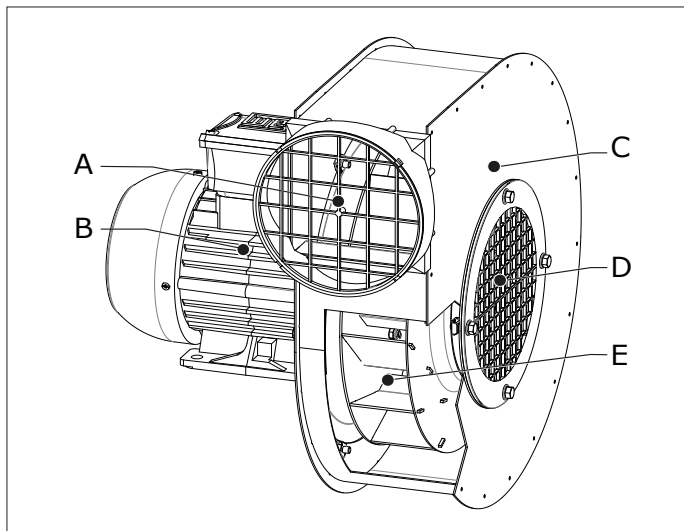


Fig. 2.1 Hoofdcomponenten FUA-1300/1800/2100

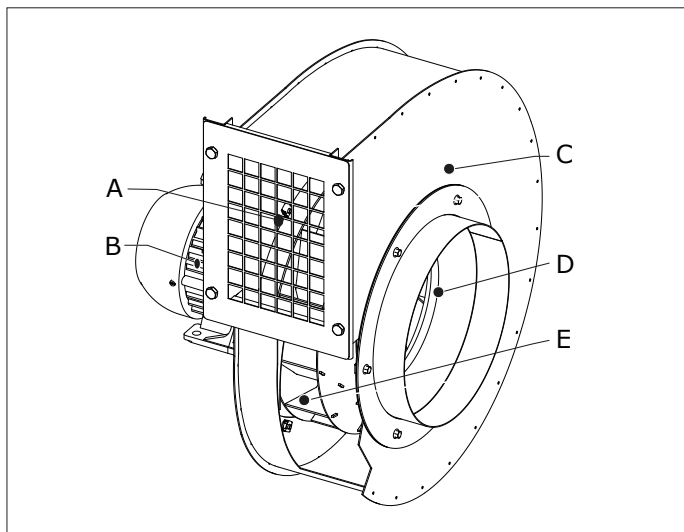


Fig. 2.2 Hoofdcomponenten FUA-3000/4700

2.2 Werking

De inlaat aan de achterzijde van de ventilator moet worden aangesloten op de uitlaat van een ruimtelijk afzuigstelsel, afzuigarm of afzuigstelsel voor uitlaatgassen. De afgezogen lucht wordt aan de zijkant van de ventilator via een kanaal uitgeblazen.

Er zijn diverse opties om de ventilator te besturen.

2.2.1 Besturingsapparatuur

Plymovent levert besturingsapparatuur voor besturing van de ventilator. Raadpleeg de handleiding van de geselecteerde besturingsapparatuur.

3 VEILIGHEID

Algemeen

De fabrikant aanvaardt geen enkele aansprakelijkheid voor schade of letsel veroorzaakt door het niet (strikt) naleven van de veiligheidsvoorschriften en -instructies in deze handleiding, dan wel door onachtzaamheid tijdens installatie, gebruik, onderhoud en reparatie van het op de voorzijde van dit document vermelde product en de eventuele bijbehorende accessoires. Afhankelijk van de specifieke werkomstandigheden of gebruikte accessoires kunnen aanvullende veiligheidsinstructies nodig zijn. Neem s.v.p. direct contact op met uw leverancier indien u bij het gebruik van het product een potentieel gevaar hebt geconstateerd.

De gebruiker van het product is te allen tijde volledig verantwoordelijk voor de naleving van de plaatselijk geldende veiligheidsvoorschriften en -richtlijnen.

Gebruikershandleiding

- Een ieder die aan of met het product werkt, dient van de inhoud van deze handleiding op de hoogte te zijn en de instructies daarin nauwgezet op te volgen. De bedrijfsleiding dient het personeel aan de hand van de handleiding te onderrichten en alle voorschriften en aanwijzingen in acht te nemen.
- Wijzig nooit de volgorde van de te verrichten handelingen.
- Bewaar de handleiding steeds in de nabijheid van het product.

Pictogrammen en instructies op het product (indien aanwezig)

- Op het product aangebrachte pictogrammen, waarschuwingen en instructies maken deel uit van de getroffen veiligheidsvoorzieningen. Ze mogen niet worden afgedekt of verwijderd en dienen gedurende de gehele levensduur van het product aanwezig en leesbaar te zijn.
- Vervang of herstel onmiddellijk onleesbaar geworden of beschadigde pictogrammen, waarschuwingen en instructies.

Gebruikers

Gebruik van het product is uitsluitend voorbehouden aan daartoe opgeleide en bevoegde gebruikers. Tijdelijke werkkrachten en personen in opleiding mogen het product uitsluitend onder toezicht en verantwoordelijkheid van vaklui gebruiken.

Gebruik volgens bestemming¹

Het product is ontworpen als een afzuigventilator voor de afzuiging van rook en gas die tijdens de meest voorkomende lasprocessen vrijkomen, en ook voor de afzuiging van uitlaatgassen. Elk ander of verdergaand gebruik geldt niet als

1. "Gebruik volgens bestemming" zoals vastgelegd in de EN-ISO 12100 is het gebruik waarvoor het technisch product volgens de opgave van de fabrikant -inclusief diens aanwijzingen in de verkoopbrochure- geschikt is. Bij twijfel is dat het gebruik dat uit de constructie, uitvoering en functie van het product als gebruikelijk naar voren komt. Tot het gebruik volgens bestemming behoort ook het in acht nemen van de instructies in de gebruikershandleiding.

conform de bestemming. Voor schade of letsel dat hiervan het gevolg is, aanvaardt de fabrikant geen enkele aansprakelijkheid. Het product is in overeenstemming met de vigerende normen en richtlijnen. Gebruik het product uitsluitend in technisch perfecte conditie, conform de hierboven beschreven bestemming.

Technische specificaties

De in deze handleiding vermelde specificaties mogen niet worden gewijzigd.

Modificaties

Modificatie van (onderdelen van) het product is niet toegestaan.

Installatie

- Installatie van het product is uitsluitend voorbehouden aan daartoe opgeleide en bevoegde installateurs.
- Inspecteer het product en controleer het op beschadigingen. Verifieer de werking van de veiligheidsvoorzieningen.
- Elektrische aansluiting dient te geschieden in overeenstemming met de ter plaatse geldende voorschriften. Zorg voor naleving van de EMC-voorschriften.
- Draag tijdens installatie altijd persoonlijke beschermingsmiddelen (PBM) ter voorkoming van letsel. Dit geldt ook voor personen die tijdens installatie in het werkgebied aanwezig zijn.
- Installeer het product nooit voor in-, uit- en doorgangen die zijn bedoeld voor hulpdiensten.
- Houd rekening met gas- en waterleidingen en elektriciteitskabels.
- Zorg ervoor dat op de werkplek, in de nabijheid van het product, voldoende goedgekeurde brandblussers aanwezig zijn.

Gebruik

	WAARSCHUWING Brandgevaar! Het product NOOIT gebruiken voor: <ul style="list-style-type: none">- afzuiging van ontvlambare, gloeiende of brandende deeltjes of vaste of vloeibare stoffen- afzuiging van agressieve dampen (zoals zoutzuur) of scherpe deeltjes- smeulende sigaretten, sigaren, met olie doordrenkte tissues, en andere brandende deeltjes, objecten en zuren
	WAARSCHUWING! Het product NOOIT gebruiken voor: <ul style="list-style-type: none">- aluminium lasersnijden- verfnevel- afzuiging van hete gassen (meer dan 80°C continu)- slijpen van aluminium en magnesium- vlamsputten- afzuiging van cement, zaagsel, houtsnippers etc.- afzuiging van sigaretten, sigaren, tissues of andere brandende deeltjes, voorwerpen of zuren- alle situaties waarin explosies kunnen voorkomen; explosieve stoffen/gassen <i>Let op: deze lijst is niet volledig.</i>

- Controleer de werkomgeving. Laat onbevoegden niet in de werkomgeving toe.
- Bescherm het product tegen water of vocht.
- Zorg altijd voor voldoende ventilatie, met name in kleine ruimten.
- Gebruik uw gezond verstand. Blijf voortdurend opletten en houd uw aandacht bij het werk. Gebruik het product niet als u onder invloed bent van drugs, alcohol of medicijnen.

Service, onderhoud en reparatie

- Draag tijdens service-, onderhouds- en reparatiemiddelen altijd persoonlijke beschermingsmiddelen (PBM) ter voorkoming van letsel. Dit geldt ook voor personen die tijdens installatie in het werkgebied aanwezig zijn.
- Gebruik altijd door de fabrikant goedgekeurde gereedschappen, onderdelen, materialen en service-technieken. Gebruik nooit versleten gereedschap en laat geen gereedschap in of op het product achter.
- Veiligheidsvoorzieningen die ten behoeve van service, onderhoud of reparatie zijn verwijderd, moeten na deze werkzaamheden onmiddellijk worden gemonteerd en op correct functioneren worden gecontroleerd.

4 INSTALLATIE

4.1 Uitpakken

Controleer of het product compleet is. De inhoud van de verpakking bestaat uit:

- afzuigventilator

Opties en accessoires

De MB-FUA/S1-2 kit moet het volgende bevatten:

- staander
- aansluitflens met rooster (alleen S1)
- buisklemmen (4)
- bevestigingsmateriaal

De MB-FUA/C1-2 kit moet het volgende bevatten:

- kraanbevestigingsbeugel
- aansluitflens (alleen C1)
- bevestigingsmateriaal

The OL (uitlaatadapter) moet het volgende bevatten:

- uitlaatadapter van vierkant naar rond

The SC (zachte aansluiting) moet het volgende bevatten:

- zachte aansluiting met 2 slangklemmen

Indien er onderdelen ontbreken of beschadigd zijn, neem dan contact op met uw leverancier.

4.2 Installation

4.2.1 Gereedschappen en benodigheden

Om het product te installeren, zijn de volgende gereedschappen en benodigheden nodig:

- steeksleutel 10
- steeksleutel 13
- steeksleutel 17
- schroevendraaier

4.2.2 De ventilator monteren op een MB-FUA-S1/S2

Voor gebruik als een standalone of voor montage op de muur, het plafond of een platform. De motor kan worden geïnstalleerd rustend op de standaard. De motor van de FUA-1300/1800/2100 kan ook ondersteboven worden geïnstalleerd (hangend aan de standaard, niet afgebeeld).

De ventilator wordt als volgt op een MB-FUA-S1/S2-staander gemonteerd:

Fig. 4.1

- Monteer de staander op de gewenste plaats.
- Bevestig de buisklemmen (B) naar keuze, indien van toepassing.
- Maak de buisklemmen vast met geschikt bevestigingsmateriaal (niet bijgeleverd; materiaal afhankelijk van muur-, vloer- of plafondtype).
- Plaats de ventilator naar keuze op de staander.
- Draai de bouten (A) vast.

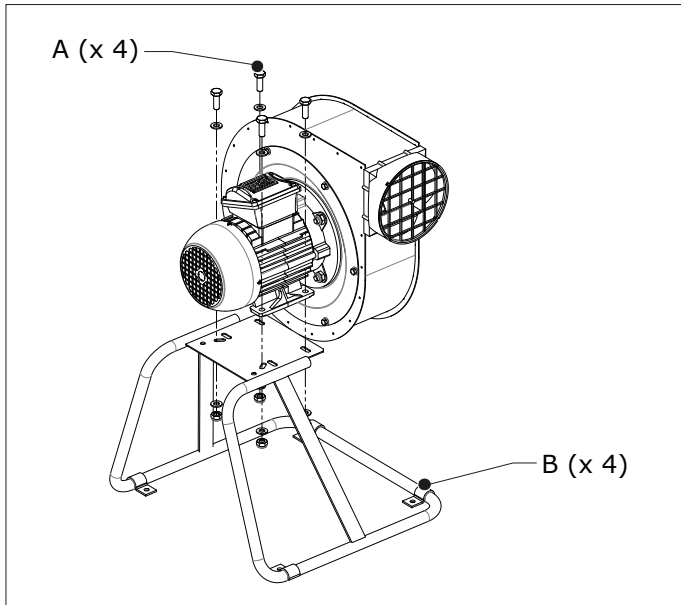


Fig. 4.1 De ventilator monteren op een MB-FUA-S1/S2

4.2.3 De ventilator monteren op een MB-FUA-C1/C2

Voor gebruik op een afzuiger (UK of FlexMax) of met afzuigsystemen voor voertuiguitlaatgassen.

De ventilator wordt als volgt op een MB-FUA-C1/C2-beugel gemonteerd:

Fig. 4.2

- Gebruik de montagegaten (A) en geschikt bevestigingsmateriaal (niet bijgeleverd, materiaal afhankelijk van muurtype) om de beugel op de muur te bevestigen.
- Plaats de ventilator op de beugel.
- Draai de bouten (B) vast.

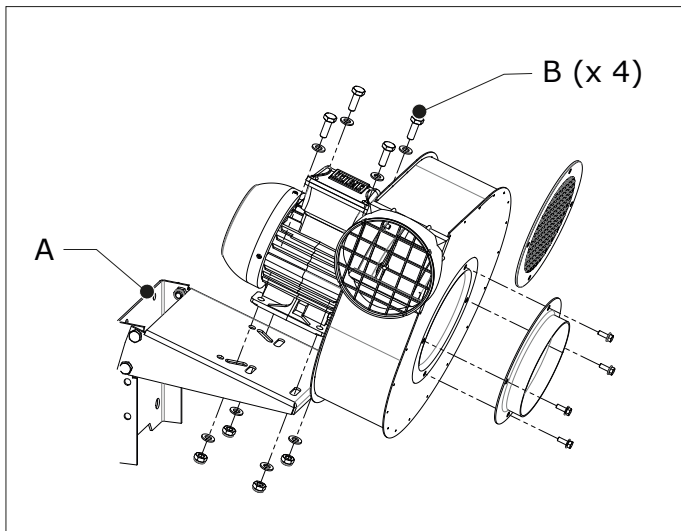


Fig. 4.2 De ventilator monteren op een MB-FUA-C1/C2

4.2.4 De positie van het uitlaatdeel wijzigen

Het uitlaatdeel van de ventilator kan in verschillende richtingen worden geplaatst (zie Fig. 4.3).

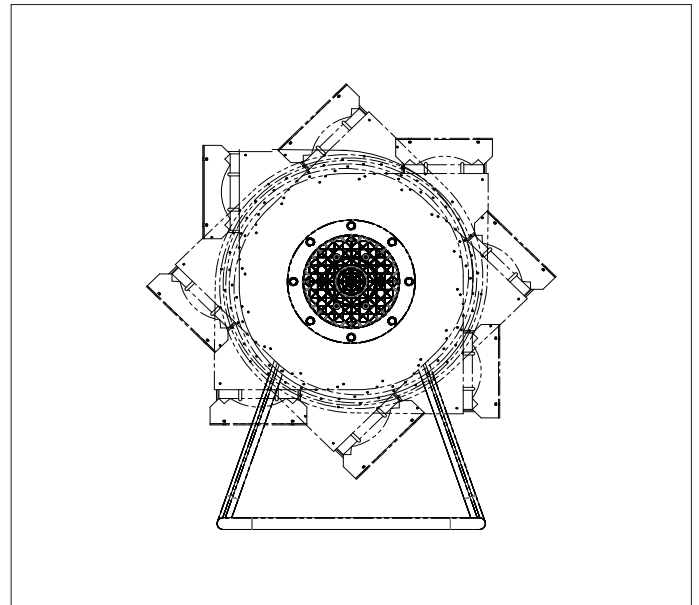


Fig. 4.3 Variabele uitlaatdeelpositie

De positie van het uitlaatdeel van de ventilator wordt als volgt gewijzigd:

Fig. 4.4

- Bepaal de gewenste positie van het uitlaatdeel.
- Maak, indien nodig, de motorplaat los door de bouten (A) los te schroeven.
- Draai de motor in de gewenste positie.
- Draai de bouten van de motorplaat vast.

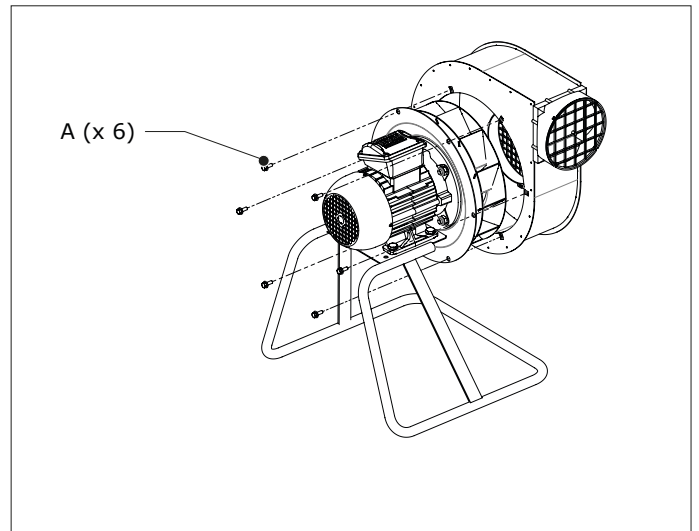


Fig. 4.4 De positie van het uitlaatdeel veranderen

4.2.5 De ventilator rechtstreeks monteren op een arm

De FUA-1300/1800/2100 kan worden gebruikt op een KUA of LM-2-afzuigarm. In dat geval is geen aanvullende beugel nodig. Het benodigde bevestigingsmateriaal wordt met de arm mee geleverd.

De ventilator wordt als volgt rechtstreeks op de arm gemonteerd:

Fig. 4.5

- Draai de bouten van het aanzuigrooster (A) los.
- Verwijder het rooster.
- Plaats het inlaatdeel van de ventilator op de beugel.
- Draai de bouten (B) vast.

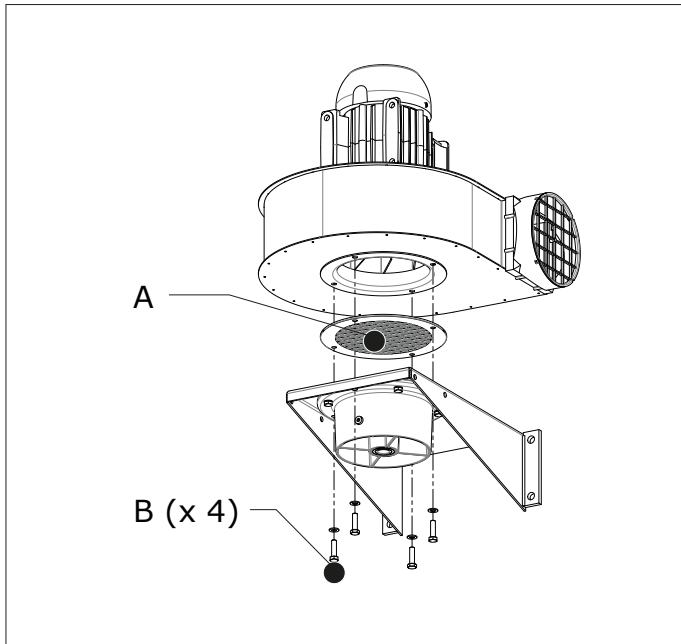


Fig. 4.5 De ventilator rechtstreeks monteren op een arm

4.2.6 De ventilatorinlaat aansluiten op een slang (FUA-1300/1800/2100)

Het verdient aanbeveling gebruik te maken van trillingsdempers om het lawaai en de trillingen van de ventilator te verminderen.

De inlaat van de ventilator wordt als volgt op een slang aangesloten:

Fig. 4.6

- Draai de bouten van het aanzuigrooster (A) los.
- Verwijder het rooster.
- Monteer de aansluitflens (B) met de bouten van het aanzuigrooster.
- Draai de bouten vast.
- Bevestig de zachte aansluiting op de aansluitflens.
- Maak de slangklem (C) vast.
- Bevestig de zachte aansluiting op de slang.
- Maak de slangklem (D) vast.

4.2.7 De ventilatoruitlaat aansluiten op een kanaal (FUA-1300/1800/2100)



LET OP!

Als de ventilator niet direct naast het filtersysteem wordt geplaatst, zorg er dan voor dat het verbindingkanaal voldoende wordt ondersteund.

Het verdient aanbeveling gebruik te maken van trillingsdempers om het lawaai en de trillingen van de ventilator te verminderen.

De uitlaat van de ventilator wordt als volgt op een kanaal aangesloten:

Fig. 4.6

- Bevestig de zachte aansluiting op de uitlaat van de ventilator.
- Maak de slangklem (E) vast.
- Bevestig de zachte aansluiting op het kanaal.
- Maak de slangklem (F) vast.

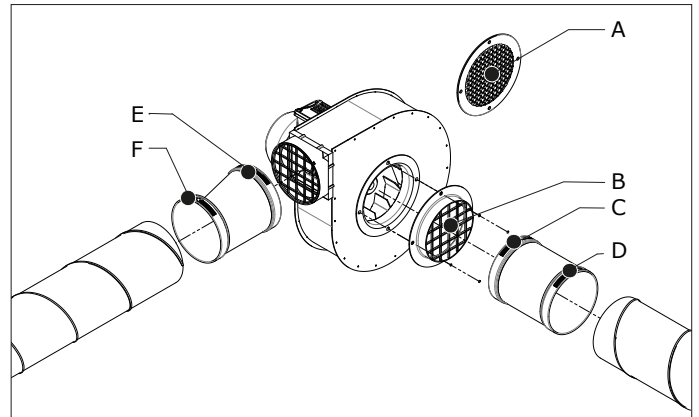


Fig. 4.6 De ventilator aansluiten op een kanaal of slang (FUA-1300/1800/2100)

4.2.8 De ventilatorinlaat aansluiten op een slang (FUA-3000/4700)

Het verdient aanbeveling gebruik te maken van trillingsdempers om het lawaai en de trillingen van de ventilator te verminderen.

De inlaat van de ventilator wordt als volgt op een slang aangesloten:

Fig. 4.7

- Bevestig de zachte aansluiting op de aansluitflens.
- Maak de slangklem (B) vast.
- Bevestig de zachte aansluiting op de slang.
- Maak de slangklem (C) vast.

4.2.9 De ventilatoruitlaat aansluiten op een kanaal (FUA-3000/4700)



LET OP!

Als de ventilator niet direct naast het filtersysteem wordt geplaatst, zorg er dan voor dat het verbindingkanaal voldoende wordt ondersteund.

Het verdient aanbeveling gebruik te maken van trillingsdempers om het lawaai en de trillingen van de ventilator te verminderen. Daarnaast wordt aanbevolen gebruik te maken van een uitlaatadapter van vierkant naar rond.

De uitlaat van de ventilator wordt als volgt op een kanaal aangesloten:

Fig. 4.7

- Draai de bouten van het uitblaasrooster (A) los.
- Verwijder het rooster.
- Bevestig de uitlaatadapter op de ventilator met de bouten (D) van het rooster.
- Draai de bouten vast.
- Bevestig de zachte aansluiting op de adapter.
- Maak de slangklem (E) vast.
- Bevestig de zachte aansluiting op het kanaal.
- Maak de slangklem (F) vast.

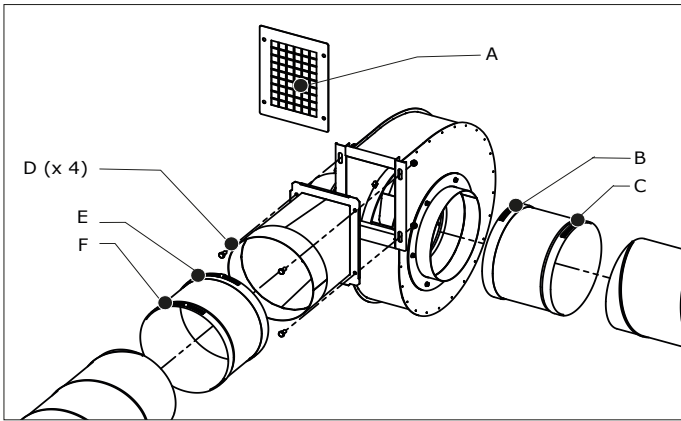


Fig. 4.7 De ventilator aansluiten op een kanaal of slang (FUA-3000/4700)

4.3 Elektrische aansluiting

	LET OP! Elektrische aansluiting dient te geschieden in overeenstemming met de ter plaatse geldende voorschriften. Zorg voor naleving van de EMC-voorschriften.
	WAARSCHUWING! Controleer of de ventilator geschikt is voor aansluiting op het hoofdnet. Informatie over de aansluitspanning en frequentie kunt u vinden op het typeplaatje. De kabels moeten worden aangesloten in overeenstemming met de plaatselijke regels en voorschriften en de aansluiting mag alleen worden uitgevoerd door gekwalificeerde en hiertoe bevoegde technici.

De standaardinstelling is 400V. Als een andere spanning wordt gebruikt, moet de bedrading worden gewijzigd in overeenstemming met de aanwijzingen op het typeplaatje.

Het startonderdeel wordt als volgt aangesloten:

- Sluit de ventilator aan op het startonderdeel volgens de informatie op het typeplaatje op de motor.
- Sluit het startonderdeel aan op het hoofdnet volgens het afzonderlijk bijgeleverde elektrisch schema.
- Controleer de draairichting van de motor. Op de ventilator staat een pijl die de voorgeschreven draairichting aangeeft. De draairichting is te zien in het rooster van de motor.
- Indien nodig: keer de aansluiting van de fasen om.

5 GEBRUIK

Raadpleeg de documentatie die is bijgeleverd bij de geselecteerde besturingsapparatuur voor informatie over besturing van de ventilator.

6 ONDERHOUD

De ventilatoren vereisen geen specifiek onderhoud.

7 VERHELPEN VAN STORINGEN

Als het product niet (correct) functioneert, raadpleeg dan de checklist hieronder om te controleren of u de fout zelf kunt oplossen. Als dit niet mogelijk is, neem dan contact op met uw leverancier.



WAARSCHUWING!

ALTIJD EERST DOEN: de machine uitschakelen en de voeding vanaf het hoofdnet onderbreken voordat de werkzaamheden hieronder worden uitgevoerd. Lees eerst de onderhoudsvorschriften aan het begin van deze handleiding.

Symptoom	Probleem	Mogelijke oorzaak	Oplossing
Motor start niet.	Machine functioneert niet.	Geen netspanning.	Controleer de netspanning
		Netsnoer defect.	Repareer of vervang het netsnoer.
		Losse contacten.	Repareer de contacten.
		Motor-beveiligings-schakelaar defect.	Vervang de Motor-beveiligings-schakelaar
Motor maakt een zoemend geluid, maar werkt niet.	Machine functioneert niet.	Motor defect.	Repareer of vervang de motor.
		Motor gebruikt 2 fasen in plaats van 3 (alleen driefasenmotor).	Repareer de fase-aansluiting.
Motor stopt automatisch.	Machine functioneert niet.	Motor-condensator defect/niet aangesloten (alleen eenfasenmotor).	Repareer of vervang de motor-condensator.
		Motor-beveiligings-schakelaar geactiveerd.	Laat de machine enige tijd afkoelen. Controleer de instelling van de motor-beveiligings-schakelaar (MPS) volgens het elektrisch schema.
Slechte afzuiging.	Machine functioneert niet goed.	Motor defect.	Repareer of vervang de motor.
		Omgekeerde draairichting van de motor (alleen driefasenmotor).	Wijzig de draairichting.
		Motor defect.	Repareer of vervang de motor.
Trillingen in de machine.	Machine niet stabiel.	Afzuigventilator vervuild.	Reinig de afzuigventilator.
		Buitenlucht wordt afgezogen.	Controleer of vervang het afdichtingsmateriaal.
		Afzuigventilator niet in balans.	Reinig de afzuigventilator.

8 RESERVEONDERDELEN

De volgende reserveonderdelen zijn voor het product verkrijgbaar. Raadpleeg de exploded views op pagina 47:
- Fig. III voor de FUA-1300/1800/2100;
- Fig. IV voor de FUA-3000/4700.

Artikelnr.	Omschrijving
FUA-1300	
0000100580	Ventilatorwiel FUA-1300
0000100585	Inlaatflens FUA-1300/1800
0000100588	Uitblaasrooster FUA-1300/1800/2100
0000100589	Motor FUA-1300; 230-400V/3ph/50Hz
0000100590	Motor FUA-1300; 230V/1ph/50Hz
0000100597	Aanzuigrooster (fijn) FUA-1300/1800/2100
0000100995	Aansluitflens met rooster FUA-1300/1800/2100
FUA-1800	
0000100581	Ventilatorwiel FUA-1800
0000100585	Inlaatflens FUA-1300/1800
0000100588	Uitblaasrooster FUA-1300/1800/2100
0000100591	Motor FUA-1800; 230-400V/3ph/50H
0000100597	Aanzuigrooster (fijn) FUA-1300/1800/2100
0000100995	Aansluitflens met rooster FUA-1300/1800/2100
FUA-2100	
0000100582	Ventilatorwiel FUA-2100
0000100586	Inlaatflens FUA-2100
0000100588	Uitblaasrooster FUA-1300/1800/2100
0000100592	Motor FUA-2100; 230-400V/3ph/50Hz
0000100593	Motor FUA-2100; 230V/1ph/50Hz
0000100597	Aanzuigrooster (fijn) FUA-1300/1800/2100
0000100995	Aansluitflens met rooster FUA-1300/1800/2100
FUA-3000	
0000100583	Ventilatorwiel FUA-3000
0000100594	Motor FUA-3000; 230-400V/3ph/50Hz
FUA-4700	
0000100584	Ventilatorwiel FUA-4700
0000100595	Motor FUA-4700; 230-400V/3ph/50Hz

9 ELEKTRISCH SCHEMA

Zie het separaat bijgevoegde elektrisch schema.

10 AFDANKEN

Voer het product na het einde van de levensduur af conform de lokaal geldende voorschriften en/of richtlijnen.

CE-VERKLARING

EG-verklaring van overeenstemming

Wij, Plymovent Manufacturing BV, Wezelkoog 11, 1822 BL Alkmaar, Nederland, verklaren geheel onder eigen verantwoordelijkheid dat het product/de producten:

- FUA-1800
- FUA-2100
- FUA-3000
- FUA-4700

waarop deze verklaring betrekking heeft, in overeenstemming is/zijn met de bepalingen van de volgende richtlijn(en):

- Machinerichtlijn 2006/42 EG
- EMC richtlijn 2004/108 EG
- Laagspanningsrichtlijn 2006/95/EG
- ErP-richtlijn 2009/125/EG

Alkmaar, Nederland, 1 december 2012



Ir. F. Coehoorn
Vice President Research & Development

Een installatie wordt gedefinieerd als een combinatie van diverse afgewerkte producten of componenten die door een installateur op een bepaalde plaats zijn geassembleerd. De diverse onderdelen van de installatie zijn bedoeld om in een bepaalde omgeving samen te werken en een specifieke taak uit te voeren. De gehele installatie moet voldoen aan de relevante richtlijnen en normen. De assemblage-instructies van de fabrikant, evenals de gehele installatiemethode, moeten binnen de context van installaties in overeenstemming zijn met goede technische werkmethoden, en met de installatievoorschriften. In dit verband is de installateur verantwoordelijk voor voltooiing van de installatie en afgifte van de uiteindelijke CE Verklaring van Conformiteit.






VORWORT

Über diese Anleitung

Diese Anleitung wurde als Nachschlagewerk für professionelle, geschulte und befugte Bediener geschrieben. Sie können mit dieser Anleitung das vorn auf diesem Dokument aufgeführte Produkt sicher installieren, bedienen, warten und reparieren.

Piktogramme und Symbole

In dieser Anleitung werden folgende Piktogramme und Symbole verwendet:

	HINWEIS Vorschläge und Tipps, wie sich die betreffenden Aufgaben oder Handlungen einfacher ausführen lassen.
	ACHTUNG! Eine Bemerkung mit zusätzlicher Information für den Gebraucher. Eine Bemerkung macht den Gebraucher auf mögliche Probleme aufmerksam.
	WARNUNG! Verfahren, die -wenn sie nicht mit der erforderlichen Umsicht ausgeführt werden- ernsten Schaden am Produkt anrichten oder zu Verletzungen führen können.
	WARNUNG! Gefahr vor elektrischer Spannung.
	WARNUNG! Wichtige Warnung zur Vermeidung von Feuer.

Textzeiger

Mit einem Bindestrich ("-") versehene Auflistungen beziehen sich auf Aufzählungen. Mit einem Aufzählungspunkt ("•") versehene Auflistungen hingegen beschreiben auszuführende Schritte.

Kundendienst und technischer Unterstützung

Für Informationen zu bestimmten Einstellungen, Wartungs- oder Reparaturarbeiten, die nicht in dieser Anleitung behandelt werden, wenden Sie sich bitte an Ihren Händler. Er ist gern bereit, Ihnen zu helfen. Halten Sie in diesem Fall folgende Angaben bereit:

- Produktname
- Seriennummer

Diese Angaben finden Sie auf dem Typenschild.

1 EINLEITUNG

1.1 Identifizierung des Produktes

Das Typenschild enthält u.a. folgende Daten:

- Produktname
- Seriennummer
- Anschlussspannung und Frequenz
- Leistung

1.2 Allgemeine Beschreibung

Beim FUA handelt es sich um einen Absaugventilator, der speziell für die Absaugung von Schweißrauch und anderen schädlichen Rauchen wie etwa Ölnebel, Fahrzeugabgase und Stäube konstruiert wurde.

Der Ventilator ist konstruktionsgemäß für die Montage an Absaugarmen und Filtereinheiten vorgesehen.

1.3 Produktkombinationen

Der Ventilator ist für den Einsatz mit allen Filtereinheiten und allen Schweißrauchabsaug- sowie Schlauchaufroller- und Droppersystemen geeignet.

1.4 Optionen und Zubehör

Die folgenden Produkte sind als Option und/oder Zubehör erhältlich:

- Befestigungshalter (für freistehende Aufstellung oder Wand-, Decken- oder Podestmontage)
 - FUA-1300/1800/2100: MB-FUA/S1
 - FUA-3000/4700: MB-FUA/S2
- Befestigungshalter (für UK- oder FlexMax-Montage)
 - FUA-1300/1800/2100: MB-FUA/C1
 - FUA-3000/4700: MB-FUA/C2
- Auslassadapter
 - FUA-3000: OL-250 (Ø 250 mm)
 - FUA-4700: OL-250 (Ø 250 mm)
 - FUA-4700: OL-315 (Ø 315 mm)
- Flexible Manschette
 - FUA-1300/1800/2100: SC-160 (Einlass/Auslass)
 - FUA-3000/4700: SC-250 (Einlass/Auslass)
 - FUA-4700: SC-315 (Auslass)

1.5 Technische Daten

Motortyp	IE2
Drehzahl	2800 rpm
Isolierungsklasse	F
Schutzklasse	IP 55
Max. Start-/Stoppvorgängen pro h	30
Max. Luftstromtemperatur	80°C
Schallpegel gemäß ISO 3746 (bei angeschlossenen druck- und absaugseitigen Rohrleitungen)	
- FUA-1300	63 dB(A)
- FUA-1800	64 dB(A)
- FUA-2100	66 dB(A)
- FUA-3000	68 dB(A)
- FUA-4700	66 dB(A)
Anschlussspannung	
- FUA-1300	230V/1~/50Hz; 230-400V/3~/50Hz
- FUA-1800	230-400V/3~/50Hz
- FUA-2100	230V/1~/50Hz; 230-400V/3~/50Hz
- FUA-3000	230-400V/3~/50Hz
- FUA-4700	230-400V/3~/50Hz
Leistung	
- FUA-1300	0,37kW (0.5 HP)
- FUA-1800	0,55kW (0.75 HP)
- FUA-2100	0,75kW (1 HP)
- FUA-3000	1,1kW (1.5 HP)
- FUA-4700	2,2kW (3 HP)
Nennstrom	
- FUA-1300	1~: 2,75 A; 3~: 1,02/1,1 A
- FUA-1800	1,4-1,5 A
- FUA-2100	1~: 5 A; 3~: 1,9-2 A
- FUA-3000	2,5-2,7 A
- FUA-4700	4,8-4,9 A



Siehe das (die) verfügbaren Produktdatenblatt (-blätter) für detaillierte Produktspezifikationen.

1.6 Abmessungen

Siehe Fig. I auf Seite 45.

Fig. I

L = Ventilatorrad (nicht abgebildet)

1 = Durchmesser

2 = Breite

Druckverlust

Siehe Fig. II auf Seite 46.

Fig. II

A = Statischer Druck (Pa)

B = Luftstrom (m³/h)

1.7 Umgebungsbedingungen

Min. Betriebstemperatur	5°C
Nom. Betriebstemperatur	20°C
Max. Betriebstemperatur	40°C
Max. relative Feuchtigkeit	80%

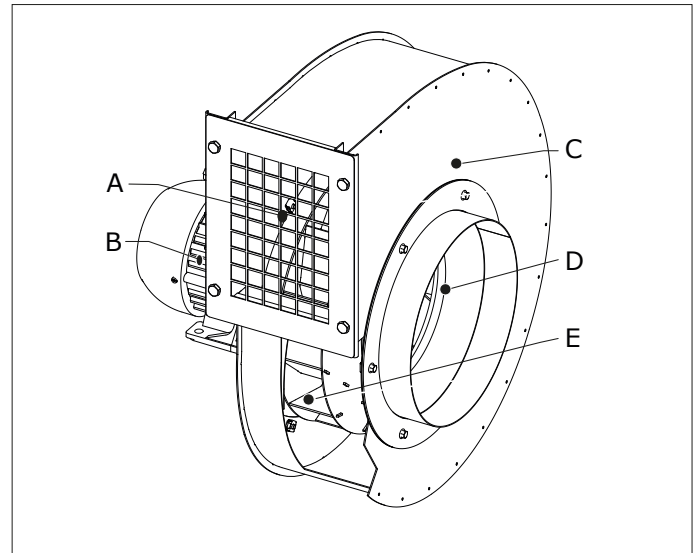


Fig. 2.2 Hauptkomponenten FUA-3000/4700

2.2 Arbeitsweise

Der an der Rückseite des Ventilators befindliche Einlass wird an den Auslass eines Zentralfiltersystems, eines Absaugarms oder eines Fahrzeugabgas-Absaugsystems angeschlossen.

Für die Ansteuerung des Ventilators stehen unterschiedliche Optionen zur Verfügung.

2.2.1 Steuerungsanlagen

Das für die Ansteuerung des Ventilators notwendige Steuer- und Regelsystem wird von Plymovent zur Verfügung gestellt. Weitere Einzelheiten entnehmen Sie bitte der Produktdokumentation des Steuerungssystems.

2 PRODUCT DESCRIPTION

2.1 Bestandteile

Die Ventilatorbaugruppe umfasst folgende Hauptkomponenten:

Fig. 2.1/ Fig. 2.2

A Auslass

B Motor

C Gehäuse

D Einlass

E Ventilatorrad

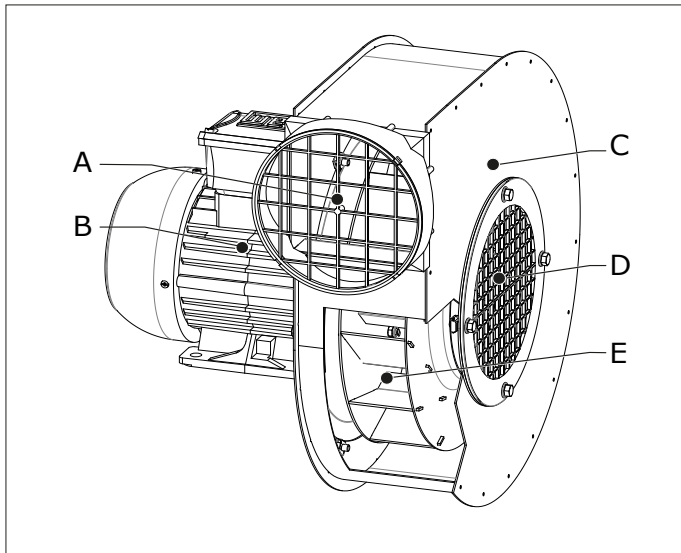


Fig. 2.1 Hauptkomponenten FUA-1300/1800/2100

3 SICHERHEITSVORSCHRIFTEN

Allgemeines

Der Hersteller haftet in keiner Weise für Schaden oder Verletzungen, die durch die nicht (genaue) Einhaltung der Sicherheitsvorschriften und -Anweisungen in dieser Anleitung bzw. durch Nachlässigkeit während der Installation, Bedienung, Wartung und Reparatur des vorn auf diesem Dokument aufgeführten Produkts und eventuellem Zubehör entstehen. Abhängig von den spezifischen Arbeitsbedingungen und dem benutzten Zubehör sind möglicherweise ergänzende Sicherheitsanweisungen erforderlich. Sollten Sie bei der Benutzung des Produkts eine mögliche Gefahrenquelle entdecken, dann wenden Sie sich bitte an Ihren Händler.

Der Bediener des Produkts trägt immer die vollständige Verantwortung für die Einhaltung der örtlich geltenden Sicherheitsvorschriften und -richtlinien.

Bedienungsanleitung

- Jeder, der an oder mit dem Produkt arbeitet, muss den Inhalt dieser Anleitung kennen, und die darin aufgeführten Anweisungen genau befolgen. Die Geschäftsleitung muss das Personal an Hand der Anleitung einweisen und alle Vorschriften und Anweisungen beachten.
- Nie von der Reihenfolge der auszuführenden Handlungen abweichen.
- Die Anleitung immer in der Nähe des Produkts aufbewahren.

Piktogramme und Anweisungen auf dem Produkt (sofern vorhanden)

- Auf dem Produkt angebrachte Piktogramme, Warnungen und Anweisungen gehören zu den getroffenen Sicherheitsvorrichtungen. Sie dürfen nicht abgedeckt oder entfernt werden und müssen während der gesamten Lebensdauer des Produkts vorhanden und deutlich zu lesen sein.
- Unleserlich gewordene oder beschädigte Piktogramme, Warnungen und Anweisungen unverzüglich auswechseln oder reparieren.

Bediener

Die Bedienung des Produkts ist entsprechend geschulten und befugten Bedienern vorbehalten. Vorübergehende Arbeitskräfte und Auszubildende dürfen das Produkt ausschließlich unter Aufsicht und Verantwortung von Fachkräften bedienen.

Bestimmungsgemäße Verwendung¹

Das Produkt wurde als Absaugventilator für die Absaugung von Fahrzeugabgasen und von in den gängigsten Schweißprozessen entstehenden Rauchen und Gasen entworfen. Jede andere oder darüber hinausgehende Benutzung gilt nicht als bestimmungsgemäß. Für daraus resultierenden Schaden oder Verletzungen haftet der Hersteller in keiner Weise. Das Produkt entspricht den geltenden Normen und Richtlinien. Das Produkt ist ausschließlich in technisch einwandfreiem Zustand und gemäß der oben aufgeführten Bestimmung zu benutzen.

Technische Daten

Die in dieser Anleitung aufgeführten Daten dürfen nicht geändert werden.

Änderungen



Änderungen am Produkt oder an Teilen des Produkts sind nicht zulässig.

Installation

- Die Installation des Produkts ist entsprechend geschulten und befugten Bedienern vorbehalten.
- Inspizieren Sie das Produkt und überprüfen Sie es auf etwaige Beschädigungen. Überprüfen Sie die ordnungsgemäße Funktion der Schutzeinrichtungen.
- Der elektrische Anschluss muss gemäß den örtlich gültigen Anforderungen erfolgen. Beachten Sie dabei auch die EMV-Richtlinien.
- Verwenden Sie während der Installation stets die vorgeschriebenen persönlichen Schutzausrüstungen (PSA) um Verletzungen vorzubeugen. Dies gilt auch für Personen, die während der Montage oder Wartung den Arbeitsbereich betreten.
- Das Produkt nie vor Ein-, Aus- oder Durchgängen installieren, die für Rettungsdienste u.a. zugänglich sein müssen.
- Auf kreuzende Gas- und Wasserleitungen sowie elektrische Kabel achten.
- Sorgen Sie dafür, dass am Arbeitsplatz in der Nähe des Produkts zugelassene Feuerlöschgeräte in ausreichender Zahl vorhanden.

1. Die "bestimmungsgemäße Verwendung" gemäß der EN-ISO 12100 ist die Verwendung, für die das technische Produkt gemäß den Angaben des Herstellers -einschließlich seiner Anweisungen in der Verkaufsbroschüre- geeignet ist. In Zweifelsfällen ist dies die Verwendung, die sich aus der Konstruktion, der Ausführung und der Funktion des Produkts als üblich ableiten läßt. Zur bestimmungsgemäßen Verwendung gehört auch die Einhaltung der Anweisungen in der Bedienungsanleitung.

Gebrauch

	WARNUNG Feuergefahr! Produkt niemals verwenden für: - Absaugung von entflammenden, glühenden oder brennenden Partikeln bzw. Flüssigkeiten - Absaugung von aggressiven Rauchen (Chlorwasserstoff) oder scharfen Partikeln - Absaugung von Zigaretten, Zigarren, verölten Geweben und anderen brennbaren Materialien, Partikel, Objekten und Säuren
	WARNUNG! Produkt niemals verwenden für: - Aluminium-Laserschneiden - Farbnebel - Absaugung heißer Gase (ständig über 80°C) - Aluminium- und Magnesiumschleifstaub - Flammstutzen - Absaugung von Zement, Säge- und Holzspänen usw. - Absaugung von Zigaretten, Zigarren, Öltüchern und anderen brennenden Partikeln, Objekten und Säuren - explosionsgefährlichen Umstände oder Substanzen/Gase <i>Hinweis: Diese Auflistung ist nicht allumfassend.</i>

- Überprüfen Sie den Arbeitsbereich. Halten Sie Unbefugte aus dem Arbeitsbereich fern.
- Schützen Sie das Produkt vor Wasser oder Feuchtigkeit.
- Sorgen Sie immer für ausreichende Belüftung, insbesondere in kleinen Räumen.
- Seien Sie immer aufmerksam und bleiben Sie mit der Aufmerksamkeit bei der Arbeit. Bedienen Sie das Produkt nie, wenn Sie unter dem Einfluß von Drogen, Alkohol oder Medikamenten stehen.

Service, Wartung und Reparaturen

- Verwenden Sie während Service-, Wartung- und Reparaturarbeiten stets die vorgeschriebenen persönlichen Schutzausrüstungen (PSA) um Verletzungen vorzubeugen. Diese Regelung gilt auch für andere Personen, die während der Installation den Arbeitsbereich betreten.
- Verwenden Sie immer vom Hersteller zugelassenes Werkzeug und Material sowie zugelassene Ersatzteile, Schmiermittel und Servicetechniken. Verwenden Sie nie abgenutztes Werkzeug und lassen Sie kein Werkzeug im oder auf dem Gerät zurück.
- Schutzeinrichtungen, die zu Service-, Wartungs- oder Reparaturzwecken entfernt wurden, müssen nach diesen Arbeiten unverzüglich wieder montiert und auf ihre ordnungsgemäße Funktion überprüft werden.

4 INSTALLATION

4.1 Auspacken

Überprüfen Sie, ob das Produkt vollständig ist. Die Verpackung enthält folgendes:

- Absaugventilator

Optionen und Zubehör

Der MB-FUA/S1-2 muss wie folgt ausgeführt sein:

- Befestigungshalter (Standeinheit)
- Anschlussflansch mit Gitter (nur S1)
- Rohrschellen (4)
- Befestigungsmaterial

Der MB-FUA/C1-2 muss wie folgt ausgeführt sein:

- Befestigungshalter
- Anschlussflansch (nur C1)
- Befestigungsmaterial

Der OL (Auslassadapter) muss wie folgt ausgeführt sein:
- Übergang von viereckig auf rund

Die SC (flexible Manschette) muss wie folgt ausgeführt sein:
- flexible Manschette mit zwei Schlauchklemmen

Falls Teile des Inhalts fehlen oder beschädigt sind, wenden Sie sich bitte an Ihren Händler.

4.2 Installation

4.2.1 Benötigte Werkzeuge und Materialien

Sie benötigen folgende Werkzeuge und Materialien für die Installation des Produkts:

- Gabelschlüssel 10
- Gabelschlüssel 13
- Gabelschlüssel 17
- Schraubenzieher

4.2.2 Ventilator an MB-FUA-S1/S2 montieren

Bei Einsatz als eigenständiges Gerät oder bei Wand-, Decken- oder Podestmontage. Der Motor kann auf der Standeinheit ruhend montiert werden. Der Motor des FUA-1300/1800/2100 kann auch nach unten gerichtet (an der Standeinheit hängend, nicht abgebildet) montiert werden.

Für die Montage des Ventilators an einer Standeinheit MB-FUA-S1/S2 wie folgt verfahren:

Fig. 4.1

- Standeinheit am gewünschten Montageort montieren.
- Rohrschellen (B) je nach Wahl befestigen, falls zutreffend.
- Rohrschellen mit geeignetem Befestigungsmaterial befestigen (nicht mit inbegriffen; je nach Untergrund kann anderes Befestigungsmaterial erforderlich sein).
- Ventilator auf Standeinheit wie gewünscht positionieren.
- Schrauben (A) festziehen.

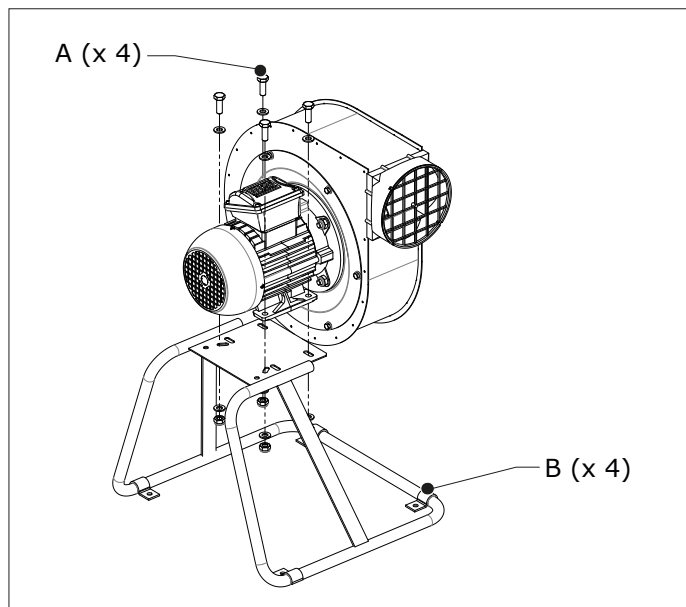


Fig. 4.1 Ventilator an MB-FUA-S1/S2 montieren

4.2.3 Ventilator an MB-FUA-C1/C2 montieren

Für Einsatz an einem Absaugsystem (UK bzw. FlexMax) oder an Fahrzeugabgas-Absaugsystemen.

Für die Montage des Ventilators an einer Halterung MB-FUA-C1/C2 wie folgt verfahren:

Fig. 4.2

- Die Halterung an den Befestigungslöchern (A) und mit geeigneter Hardware (nicht im Lieferumfang inbegriffen; je nach Wandausführung) an der Wand befestigen.
- Ventilator wie gewünscht an Halterung positionieren.
- Schrauben (B) festziehen.

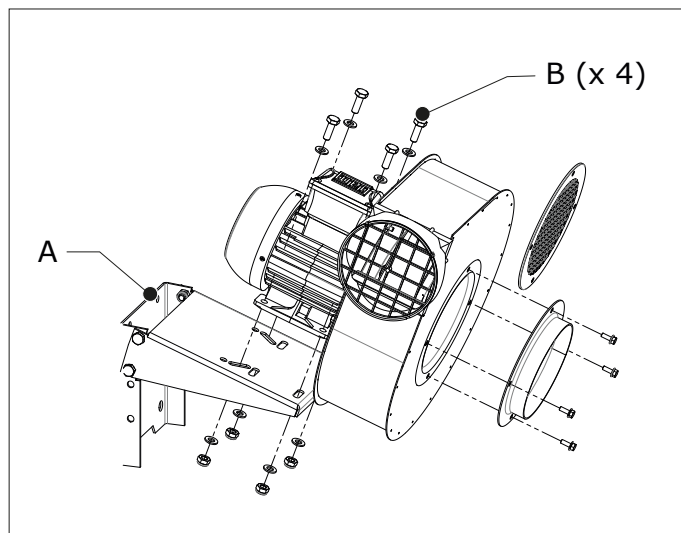


Fig. 4.2 Ventilator an MB-FUA-C1/C2 montieren

4.2.4 Auslassposition ändern

Der Ventilatorauslass lässt sich in unterschiedlichen Richtungen positionieren (siehe Fig. 4.3).

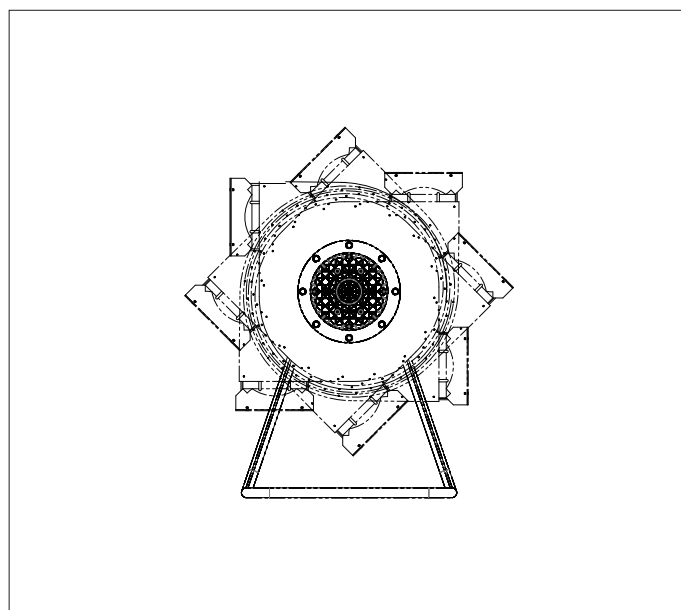


Fig. 4.3 Variable Auslassposition

Wie folgt verfahren, um die Auslassposition des Ventilators zu ändern:

Fig. 4.4

- Gewünschte Auslassposition festlegen.
- Falls erforderlich, Motorgrundplatte durch Lösen der Schraubbolzen (A) lösen.
- Motor in gewünschte Position drehen.
- Schrauben der Motorgrundplatte wieder anziehen.

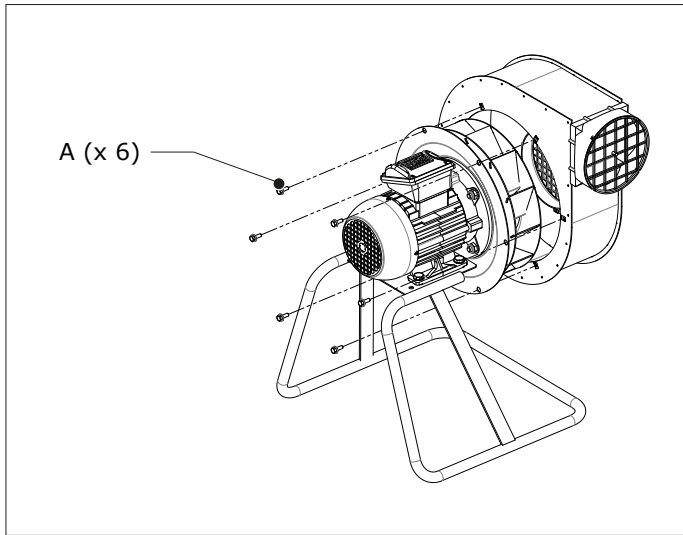


Fig. 4.4 Auslassposition ändern

4.2.5 Ventilator direkt an einem Absaugarm montieren

Der FUA-1300/1800/2100 kann mit einem KUA oder LM-2 Absaugarm verwendet werden. In dem Fall ist keine zusätzliche Halterung erforderlich. Die notwendige Hardware ist im Lieferumfang des Absaugarms mit inbegriffen.

Für eine direkte Montage des Ventilators am Absaugarm wie folgt verfahren:

Fig. 4.5

- Schrauben des Ansauggitters (A) lösen.
- Ansauggitter entfernen.
- Ventilatoreinlass wie gewünscht an der Halterung positionieren.
- Schrauben (B) festziehen.

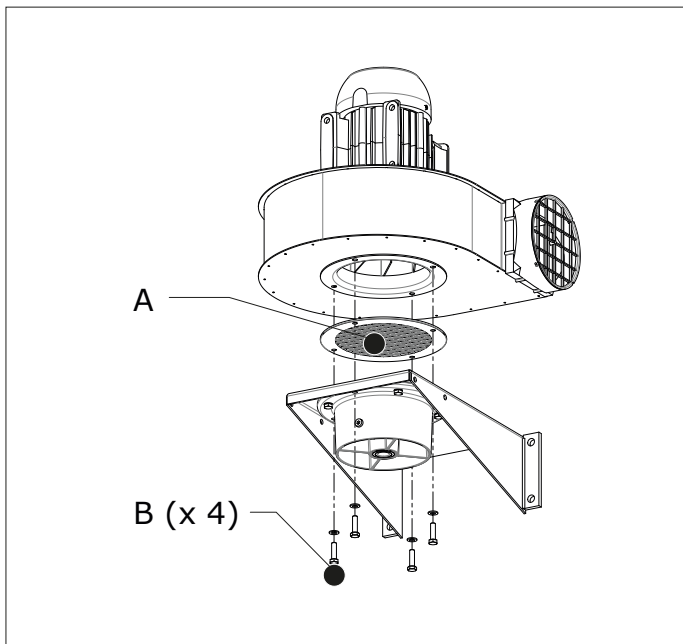


Fig. 4.5 Ventilator direkt an einem Absaugarm montieren

4.2.6 Ventilatoreinlass an einem Schlauch anschließen (FUA-1300/1800/2100)

Um den/die vom Ventilator emittierten Schall und Vibrationen zu reduzieren, empfehlen wir für den Anschluss des Einlasses die Verwendung einer flexiblen Manschette.

Gehen Sie wie folgt vor, um den Ventilatoreinlass an einen Schlauch anzuschließen:

Fig. 4.6

- Schrauben des Ansauggitters (A) lösen.
- Ansauggitter entfernen.
- Anschlussflansch (B) mit den Schrauben des Ansauggitters montieren.
- Schrauben festziehen.
- Flexible Manschette am Anschlussflansch befestigen.
- Schlauchklemme (C) spannen.
- Flexible Manschette am Schlauch befestigen.
- Schlauchklemme (D) spannen.

4.2.7 Ventilatorauslass an Rohrleitung anschließen (FUA-1300/1800/2100)



ACHTUNG!

Falls sich der Ventilator nicht in nächster Nähe zum Filtersystem befindet, muss die Anschlussrohrleitung ausreichend unterstützt sein.

Um den/die vom Ventilator emittierten Schall und Vibrationen zu reduzieren und um eine Beschädigung der Rohrleitung zu vermeiden, empfehlen wir für den Auslassanschluss die Verwendung einer flexiblen Manschette.

Gehen Sie wie folgt vor, um den Ventilatorauslass an eine Rohrleitung anzuschließen:

Fig. 4.6

- Flexible Manschette am Ventilatorauslass befestigen.
- Schlauchklemme (E) spannen.
- Flexible Manschette an der Rohrleitung befestigen.
- Schlauchklemme (F) spannen.

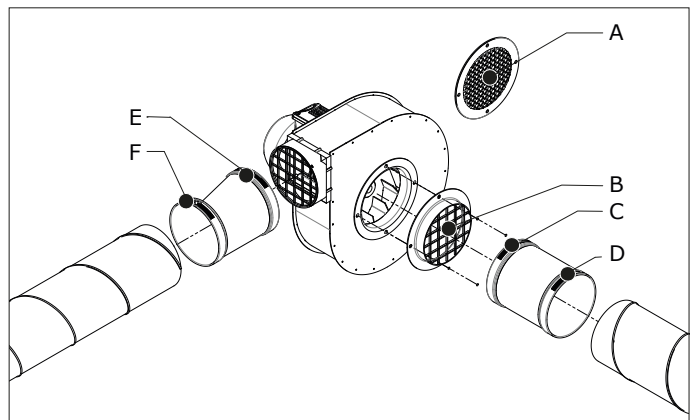


Fig. 4.6 Ventilator an Rohrleitung oder Schlauch anschließen (FUA-1300/1800/2100)

4.2.8 Ventilatoreinlass an einem Schlauch anschließen (FUA-3000/4700)

Um den/die vom Ventilator emittierten Schall und Vibrationen zu reduzieren, empfehlen wir für den Anschluss des Einlasses die Verwendung einer flexiblen Manschette.

Gehen Sie wie folgt vor, um den Ventilatoreinlass an einen Schlauch anzuschließen:

Fig. 4.7

- Flexible Manschette am Anschlussflansch befestigen.
- Schlauchklemme (B) spannen.
- Flexible Manschette am Schlauch befestigen.
- Schlauchklemme (C) spannen.

4.2.9 Ventilatorauslass an Rohrleitung anschließen (FUA-3000/4700)

ACHTUNG!
Falls sich der Ventilator nicht in nächster Nähe zum Filtersystem befindet, muss die Anschlussrohrleitung ausreichend unterstützt sein.

Um den/die vom Ventilator emittierten Schall und Vibrationen zu reduzieren und um eine Beschädigung der Rohrleitung zu vermeiden, empfehlen wir für den Auslassanschluss die Verwendung einer flexiblen Manschette. Darüber hinaus empfehlen wir den Einsatz eines Auslassadapters (von viereckig auf rund).

Gehen Sie wie folgt vor, um den Ventilatorauslass an eine Rohrleitung anzuschließen:

Fig. 4.7

- Schrauben des Ausblasgitters (A) lösen.
- Ausblasgitter entfernen.
- Auslassadapter am Ventilator mit den Schrauben (D) des Ausblasgitters befestigen.
- Schrauben festziehen.
- Flexible Manschette am Auslassadapter befestigen. Schlauchklemme (E) spannen.
- Flexible Manschette an der Rohrleitung befestigen.
- Schlauchklemme (F) spannen.

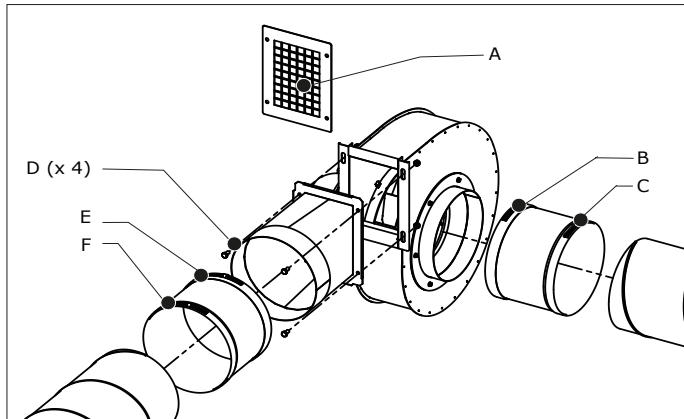


Fig. 4.7 Ventilator an Rohrleitung oder Schlauch anschließen (FUA-3000/4700)

4.3 Elektrischer Anschluss

ACHTUNG!
Der elektrische Anschluss muss gemäß den örtlich gültigen Anforderungen erfolgen. Beachten Sie dabei auch die EMV-Richtlinien.

WARNUNG!
Der Ventilator muss für einen Anschluss an das lokale elektrische Netz geeignet sein. Weitere Angaben zur Anschlussspannung und Frequenz enthält das Typenschild. Verkabelung und Verdrahtung muss gemäß den gültigen Richtlinien erfolgen und darf nur von qualifizierten Elektrofachkräften ausgeführt werden.

Die standardmäßige Anschlussspannung beträgt 400 V AC. Bei abweichender Anschlussspannung die Verdrahtung gemäß den Angaben des Typenschildes ausführen.

Starteinrichtung wie folgt anschließen:

- Ventilator gemäß den Angaben des Typenschildes an der gewünschten Starteinrichtung anschließen.
- Starteinrichtung gemäß dem separat mitgelieferten Schaltplan am Hauptversorgungsnetz anschließen.
- Motordrehrichtung überprüfen. Hierfür ist der Ventilator mit einem Richtungspfeil ausgestattet, der die vorgeschriebene

Ventilator Drehrichtung anzeigt. Die Drehrichtung wird am Motorlüftungsgitter ermittelt.

- Gegebenenfalls Phasenanschluss vertauschen.

5 GEBRAUCH

Weitere Angaben zur Ansteuerung des Ventilators enthält die Dokumentation des ausgewählten Steuerungssystems.

6 WARTUNG

Für die Ventilatoren ist keine spezifische Wartung erforderlich.

7 FEHLERBEHEBUNG

Bei nichtkorrekter Funktion des Produkts zuerst selbst eine Fehlerbeseitigung anhand untenstehender Fehlerbeseitigungstabelle ausführen. Produkthändler kontaktieren, falls die Fehlerbeseitigung fehlschlägt.

WARNUNG!
Vor Ausführung untenstehender Arbeiten unbedingt zuerst die Maschine abschalten und von der Netzspannung trennen! Zuerst die am Anfang dieses Handbuchs befindlichen Wartungsbestimmungen lesen.

Symptom	Problem	Mögliche Ursache	Lösung
Motor startet nicht.	Maschine startet nicht.	Keine Hauptspannung.	Netzspannung überprüfen.
		Hauptanschlusskabel ist defekt.	Hauptanschlusskabel reparieren oder austauschen.
		Lose Kontakte.	Kontaktstellen reparieren.
		Defekter Motorschutzschalter.	Motorschutzschalter austauschen.
Motor emittiert brummendes Geräusch, läuft aber nicht an.	Maschine startet nicht.	Ventilatormotor defekt.	Ventilatormotor reparieren oder austauschen.
		Motor ist lediglich an 2 anstelle an 3 Phasen angeschlossen (ausschließlich Drehstrommotoren).	Phasenanschluss wieder herstellen.
Motor stoppt automatisch.	Maschine startet nicht.	Motor-kondensator defekt/nicht angeschlossen (ausschließlich 1-Phasen-Motoren).	Motor-kondensator wieder anschließen bzw. austauschen.
		Motor-schutzschalter ist aktiviert.	Maschine einige Zeit abkühlen lassen. Einstellung des Motorschutzschalters (MPS) gemäß Schaltplan überprüfen.
		Ventilatormotor defekt.	Ventilatormotor reparieren oder austauschen.

Symptom	Problem	Mögliche Ursache	Lösung
Mangelhafte Ansaugung der Luft.	Keine einwandfreie Maschinenfunktion.	Verkehrte Motordrehrichtung (ausschließlich Drehstrommotoren).	Motordrehrichtung tauschen.
		Ventilatormotor defekt.	Ventilatormotor reparieren oder austauschen.
		Absaugventilator ist verunreinigt.	Absaugventilator reinigen.
		Es wird Außenluft mit abgesaugt.	Dichtungsmaterial überprüfen oder ersetzen.
Maschinen- vibrationen.	Maschine läuft unrund.	Absaugventilator ist nicht ausgewuchtet.	Absaugventilator reinigen.

8 ERSATZTEILE

Folgende Ersatzteile stehen für das Produkt zur Verfügung.

Siehe Explosionszeichnung auf Seite 47:

- Fig. III für FUA-1300/1800/2100;
- Fig. IV für FUA-3000/4700.

Artikelnr.	Beschreibung
FUA-1300	
0000100580	Ventilatorrad FUA-1300
0000100585	Einlassflansch FUA-1300/1800
0000100588	Ausblasgitter FUA-1300/1800/2100
0000100589	Motor FUA-1300; 230-400V/3ph/50Hz
0000100590	Motor FUA-1300; 230V/1ph/50Hz
0000100597	Ansauggitter (fein) FUA-1300/1800/2100
0000100995	Anschlussflansch mit Gitter FUA-1300/1800/2100
FUA-1800	
0000100581	Ventilatorrad FUA-1800
0000100585	Einlassflansch FUA-1300/1800
0000100588	Ausblasgitter FUA-1300/1800/2100
0000100591	Motor FUA-1800; 230-400V/3ph/50Hz
0000100597	Ansauggitter (fein) FUA-1300/1800/2100
0000100995	Anschlussflansch mit Gitter FUA-1300/1800/2100
FUA-2100	
0000100582	Ventilatorrad FUA-2100
0000100586	Einlassflansch FUA-2100
0000100588	Ausblasgitter FUA-1300/1800/2100
0000100592	Motor FUA-2100; 230-400V/3ph/50Hz
0000100593	Motor FUA-2100; 230V/1ph/50Hz
0000100597	Ansauggitter (fein) FUA-1300/1800/2100
0000100995	Anschlussflansch mit Gitter FUA-1300/1800/2100
FUA-3000	
0000100583	Ventilatorrad FUA-3000
0000100594	Motor FUA-3000; 230-400V/3ph/50Hz
FUA-4700	
0000100584	Ventilatorrad FUA-4700
0000100595	Motor FUA-4700; 230-400V/3ph/50Hz

9 SCHALTPLAN

Siehe den separat beigefügten Schaltplan.

10 ENTSORGUNG

Das Produkt am Ende der Gebrauchsdauer gemäß den örtlich geltenden Vorschriften und/oder Richtlinien entsorgen.

EG-KONFORMITÄTSERKLÄRUNG

EG-Konformitätserklärung

Wir, Plymovent Manufacturing B.V., Wezelkoog 11, 1822 BL Alkmaar, die Niederlande, erklären hiermit eigenverantwortlich dass das Produkt/die Produkte:

- FUA-1800
- FUA-2100
- FUA-3000
- FUA-4700

worauf sich diese Erklärung bezieht, hergestellt ist/sind gemäß der Bestimmungen der folgenden Richtlinien:

- Richtlinie für Maschinen 2006/42 EG
- EMC directive 2004/108 EG
- NSR 2006/95/EG
- ErP-Richtlinie 2009/125/EG

Alkmaar, die Niederlande, den 1. Dezember 2012



Ir. F. Coehoorn
Vice President Research & Development

Eine Anlage ist laut Definition eine Kombination aus verschiedenen Fertigfabrikaten oder Komponenten, die von einem Errichter an einem bestimmten Ort zusammengebaut werden. Die unterschiedlichen Komponenten der Anlage sind für einen gemeinsamen Betrieb in einer bestimmten Betriebsumgebung bestimmt und haben eine spezifische Aufgabe zu erfüllen. Die gesamte Anlage muss sich in Übereinstimmung mit den entsprechenden Richtlinien und Normen befinden. Die vom Hersteller vorgeschriebenen Montageanweisungen müssen sich, wie auch die gesamten Installationsverfahren, in Übereinstimmung mit den im Rahmen der Installation gültigen Regeln der Technik und der Installationsvorschriften befinden. Unter Einbeziehung des obenstehend Genannten ist der Errichter für die Fertigstellung der Anlage und für Ausgabe der endgültigen CE-Konformitätserklärung verantwortlich.

AVANT-PROPOS

Utilisation du manuel

Le présent manuel servira d'ouvrage de référence qui permettra aux utilisateurs professionnels, instruits et autorisés en ce sens, d'installer, utiliser, entretenir et réparer en toute sécurité le produit figurant en première page de couverture de ce document.

Pictogrammes et symboles

Dans ce manuel, il est fait usage des pictogrammes et symboles suivants :

	CONSEIL Suggestions et conseils en vue de faciliter l'exécution des divers travaux ou manipulations.
	ATTENTION! Remarque avec complément d'information pour l'utilisateur. Remarque attirant l'attention de l'utilisateur sur d'éventuels problèmes.
	MISE EN GARDE! Procédures qui, à défaut d'être exécutées avec les précautions nécessaires, peuvent occasionner un endommagement sévère du produit ou une lésion corporelle.
	MISE EN GARDE! Risque de tension électrique.
	MISE EN GARDE! Avertissement important pour la prévention des incendies.

Indicateurs de texte

Les listes désignées par "-" (trait d'union) concernent les énumérations. Les listes désignées par "•" (puce) concernent les étapes à suivre.

Service et assistance technique

Pour toute information concernant des réglages spécifiques, des travaux d'entretien et de réparation qui sortent du cadre de ce manuel, veuillez prendre contact avec le fournisseur du produit. Ce fournisseur est toujours disposé à vous aider. Assurez-vous que vous disposez des données suivantes :

- nom du produit
- numéro de série

Vous trouverez ces données sur la plaque d'identification.

1 INTRODUCTION

1.1 Identification du produit

La plaque d'identification comporte les données suivantes :

- nom du produit
- numéro de série
- tension d'alimentation et fréquence
- puissance

1.2 Description générale

Le FUA est un ventilateur d'extraction conçu spécifiquement pour l'enlèvement des fumées de soudure et d'autres fumées nocives telles que la poussière, les brouillards d'huile et les gaz d'échappement.

Le ventilateur a été créé et conçu pour les bras d'extraction et les unités de filtration.

1.3 Combinaisons des produits

Le ventilateur est compatible avec toutes les unités de filtration, les systèmes d'extraction de fumées et les systèmes de dérouleurs/d'attache.


1.4 Options et accessoires

Les produits suivants sont disponibles sous forme d'option et/ou d'accessoire :

- Support de montage (pour un montage indépendant sur pied ou au mur/plafond du ventilateur)
 - FUA-1300/1800/2100: MB-FUA/S1
 - FUA-3000/4700: MB-FUA/S2
- Support de montage (pour le montage du ventilateur sur les extracteurs UK ou FlexMax)
 - FUA-1300/1800/2100: MB-FUA/C1
 - FUA-3000/4700: MB-FUA/C2
- Transition de sortie
 - FUA-3000: OL-250 (Ø 250 mm)
 - FUA-4700: OL-250 (Ø 250 mm)
 - FUA-4700: OL-315 (Ø 315 mm)
- Raccordements souples
 - FUA-1300/1800/2100: SC-160 (entrée/sortie)
 - FUA-3000/4700: SC-250 (entrée/sortie)
 - FUA-4700: SC-315 (sortie)

1.5 Spécifications techniques

Conception de moteur	IE2
Nombre de tours	2800 rpm
Classe d'isolation	F
Classe de protection	IP 55
Nombre maxi de démarrages/arrêts par heure	30
Température maxi du flux d'air	80°C (176°F)
Niveau sonore conformément à ISO 3746 (tuyauterie raccordée côté pression et côté aspiration)	
- FUA-1300	63 dB(A)
- FUA-1800	64 dB(A)
- FUA-2100	66 dB(A)
- FUA-3000	68 dB(A)
- FUA-4700	66 dB(A)
Tensions d'alimentation	
- FUA-1300	230V/1~/50Hz; 230-400V/3~/50Hz
- FUA-1800	230-400V/3~/50Hz
- FUA-2100	230V/1~/50Hz; 230-400V/3~/50Hz
- FUA-3000	230-400V/3~/50Hz
- FUA-4700	230-400V/3~/50Hz
Puissance	
- FUA-1300	0,37kW (0.5 HP)
- FUA-1800	0,55kW (0.75 HP)
- FUA-2100	0,75kW (1 HP)
- FUA-3000	1,1kW (1.5 HP)
- FUA-4700	2,2kW (3 HP)
Courant nominal	
- FUA-1300	1~: 2,75 A; 3~: 1,02/1,1 A
- FUA-1800	1,4-1,5 A
- FUA-2100	1~: 5 A; 3~: 1,9-2 A
- FUA-3000	2,5-2,7 A
- FUA-4700	4,8-4,9 A

 Consultez les fiches de spécifications disponibles pour les spécifications de produit détaillées.

1.6 Dimensions

Voir Fig. I sur la page 45.

Fig. I

L = Roue de ventilateur (non montré)

1 = diamètre

2 = largeur

1.7 Perte de charge

Voir Fig. II sur la page 46.

Fig. II

A = Pression statique (Pa)

B = Flux d'air (m³/h)

1.8 Conditions ambiantes

Température de fonctionnement min.	5°C (41°F)
Température de fonctionnement nom.	20°C (68°F)
Température de fonctionnement max.	40°C (104°F)
Humidité relative max.	80%

2 DESCRIPTION DE PRODUIT

2.1 Composants

Le ventilateur est constitué des composants principaux suivants :

Fig. 2.1/ Fig. 2.2

A sortie

B moteur

C boîtier

D entrée

E roue de ventilateur

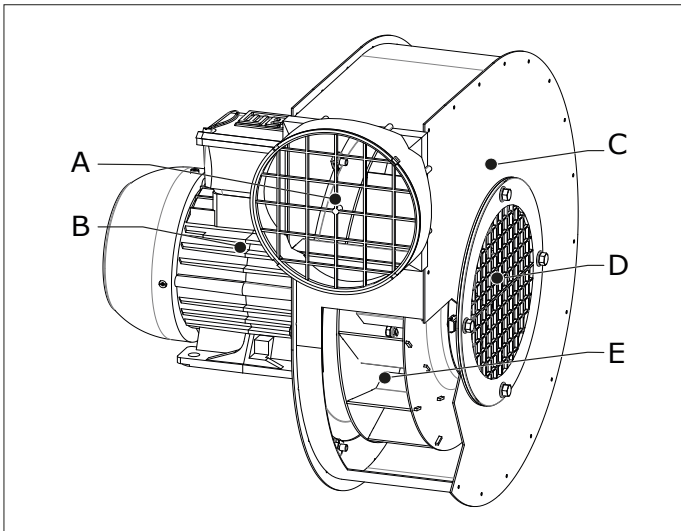


Fig. 2.1 Composants principaux FUA-1300/1800/2100

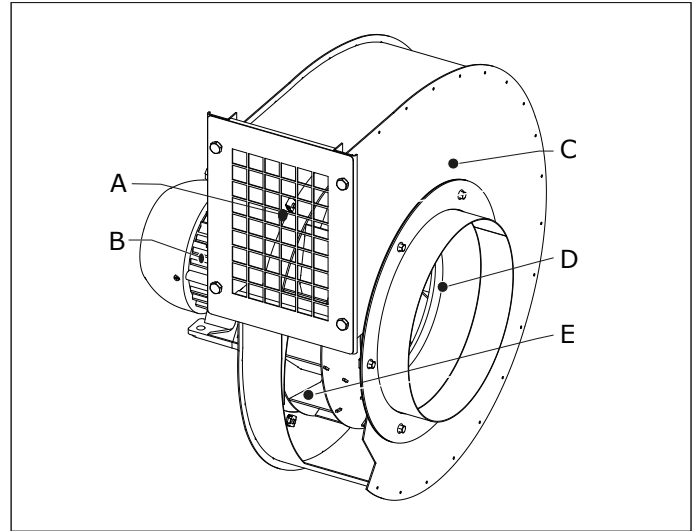


Fig. 2.2 Composants principaux FUA-3000/4700

2.2 Fonctionnement

L'entrée à l'arrière du ventilateur est à raccorder à la sortie d'un système d'extraction centralisé, d'un bras d'extraction ou d'un système d'extraction de gaz d'échappement de véhicules.

Le ventilateur peut être piloté de différentes façons

2.2.1 Équipements de commande

Plymovent fournit des équipements de commande pour le ventilateur. Consulter le manuel de l'équipement de commande sélectionné.

3 INSTRUCTIONS DE SÉCURITÉ

Généralités

Le fabricant décline toute responsabilité en cas de dommage ou de lésion corporelle résultant de la non observation (stricte) des consignes de sécurité et des instructions de ce manuel, ou de négligence durant l'installation, l'entretien et la réparation du produit figurant en première page de couverture de ce document et des éventuels accessoires correspondants. En fonction des conditions de travail spécifiques ou des accessoires employés, il est possible que des consignes de sécurité complémentaires s'imposent. Veuillez prendre immédiatement contact avec votre fournisseur si vous constatez un risque potentiel lors d'emploi du produit.

L'utilisateur du produit est en tout temps entièrement responsable du respect des consignes et directives de sécurité locales en vigueur.

Manuel opérateur

- Toute personne qui travaille sur ou avec le produit est tenue de prendre connaissance de ce manuel et d'en observer scrupuleusement les instructions. La direction de l'entreprise doit instruire le personnel sur la base du manuel et de prendre en considération toutes les instructions et indications.
- Ne modifiez jamais l'ordre des opérations à effectuer.
- Conservez le manuel constamment à proximité du produit.

Pictogrammes et instructions sur le produit (s'ils sont présents)

- Pictogrammes, mises en garde et instructions apposés sur le produit font partie intégrante des dispositifs de sécurité. Ils ne doivent être ni recouvert ni enlevés et doivent être présents et lisibles durant toute la vie du produit.

- Pictogrammes, mises en garde et instructions illisibles ou endommagés doivent être immédiatement changés ou réparés.

Opérateurs

L'utilisation du produit est réservée exclusivement aux opérateurs instruits et autorisés en ce sens. Intérimaires et personnes en formation ne doivent utiliser le produit que sous la supervision et la responsabilité d'un professionnel.

Emploi conforme à la destination¹

Le produit est conçu en tant que ventilateur d'extraction destiné à extraire les fumées et gaz relâchés pendant la plupart des processus conventionnels de soudure ainsi que les gaz d'échappement. Tout autre usage est considéré comme non conforme à la destination du produit. Le fabricant décline toute responsabilité en cas de dommage ou de lésion corporelle résultant de cet autre usage. Le produit est en conformité avec les normes et directives en vigueur. Utilisez le produit uniquement s'il se trouve en parfait état technique, conformément à la destination sus-décrite.

Spécifications techniques

Les spécifications indiquées dans ce manuel ne doivent pas être modifiées.

Modifications

La modification du produit ou des composants n'est pas autorisée.

Installation

- L'installation du produit est réservée exclusivement aux opérateurs instruits et autorisés en ce sens.
- Inspectez le produit et assurez-vous qu'il n'est pas endommagé. Vérifiez le fonctionnement correct des dispositifs de sécurité.
- La connexion électrique doit être effectuée en accord avec les exigences locales. Assurez-vous de la conformité aux dispositions des règlements CEM.
- Utilisez toujours, pendant l'installation, les équipements de protection individuelle (EPI) afin d'éviter les blessures. Ceci vaut également pour les personnes pénétrant dans la zone de travail pendant l'installation.
- N'installez jamais le produit devant les entrées, sorties, et passages destinés aux services de secours.
- Portez attention aux conduites de gaz ou d'eau ainsi qu'aux câbles électriques.
- Assurez-vous de la présence d'un nombre suffisant d'extincteurs homologués dans l'atelier, à proximité du produit.

Utilisation

	<p>MISE EN GARDE Risque de feu! N'utilisez jamais le produit pour :</p> <ul style="list-style-type: none"> - extraire des particules inflammables, incandescentes ou en feu, ni de solides ou de liquides - extraire des fumées agressives (telles que l'acide chlorhydrique) ou des particules coupantes - des cigarettes non éteintes, des cigares des chiffons gras et d'autres particules, objets et acides en feu
------------------------------------------------------------------------------------	----------------------------------------------------------------------------------------------------------------------------------------------------------------------------------------------------------------------------------------------------------------------------------------------------------------------------------------------------------------------------------------------------------------------------------------------------------------------------



MISE EN GARDE!

N'utilisez jamais le produit pour :

- découpe laser aluminium
 - vapeurs de peinture
 - extraction de gaz très chauds (plus de 80°C/176°F en continu)
 - meulage d'aluminium et de magnésium
 - projection à la flamme
 - extraction de ciment, de poussières de sciage, de poussières de bois, etc.
 - cigarettes non éteintes, cigares, chiffons gras et autres particules, objets et acides inflammables
 - environnements et substances/gaz explosifs
- Remarque : cette liste n'est pas exhaustive.*

- Contrôlez la zone de travail. Interdisez l'accès de cette zone aux personnes non autorisées.
- Protégez le produit contre l'eau et l'humidité.
- Assurez toujours une aération suffisante, notamment dans les petits locaux.
- Faites usage de votre bon sens. Soyez constamment vigilant et concentrez-vous sur votre travail. N'utilisez pas le produit si vous êtes fatigués ou sous l'influence de drogues, d'alcool ou de médicaments.

Service, entretien et réparations

- Utilisez toujours, pendant les travaux de service, d'entretien et de réparation, les équipements de protection individuelle (EPI) afin d'éviter les blessures. Ceci vaut également pour les personnes pénétrant dans la zone de travail pendant l'installation.
- Utilisez toujours des outils, pièces, matériaux, lubrifiants et techniques d'entretien et de réparation approuvés par le fabricant. Évitez l'usage des outils usés et veillez à ne laisser traîner aucun outil dans ou sur le produit.
- Les dispositifs de sécurité retirés à fins de service, d'entretien ou de réparation, doivent être remis en place immédiatement après l'achèvement des travaux concernés, après quoi leur fonctionnement doit être contrôlé.

4 INSTALLATION

4.1 Déballage

Contrôlez si le produit est complet. Le contenu de l'emballage se compose des éléments suivants :

- ventilateur d'aspiration

Options et accessoires

Le MB-FUA/S1-2 devrait être équipé de :

- support de montage
- bride de connexion avec grille (S1 uniquement)
- pinces de tube (4)
- matériel

Le MB-FUA/C1-2 devrait être équipé de :

- support de montage
- bride de connexion (C1 uniquement)
- matériel

La OL (transition de sortie) doit être équipée de :

- une transition de sortie carrée à ronde

Le SC (raccordement souple) devrait être équipé de :

- raccordement souple et 2 colliers de flexibles

Si des éléments manquent ou sont endommagés, prenez contact avec votre fournisseur.

1. "Emploi conforme à la destination" tel arrêté dans la norme EN-ISO 12100 est l'usage pour lequel le produit technique est approprié d'après la spécification du fabricant - inclusivement ses indications dans la brochure de vente. En cas de doute, c'est l'usage que l'on peut normalement déduire de la construction, du modèle et de la fonction du produit. L'emploi conforme à la destination suppose également le respect des instructions du manuel opérateur.

4.2 Installation

4.2.1 Outils et outillage

Les outils et l'outillage suivants sont nécessaires pour installer le produit :

- clé 10
- clé 13
- clé 17
- tournevis

4.2.2 Installation du ventilateur sur un MB-FUA-S1/S2

Pour une utilisation sur pied indépendante ou pour un montage au mur, au plafond ou sur une plateforme. Le moteur peut reposer sur le pied. Le moteur du FUA-1300/1800/2100 peut également être installé la tête en bas (suivant le pied, non illustré).

Veillez procéder comme suit pour installer le ventilateur sur un pied MB-FUA-S1/S2 :

Fig. 4.1

- Installer le pied à l'endroit désiré.
- Fixer les pinces de tube (B) comme souhaité, le cas échéant.
- Serrer les pinces de tube à l'aide de matériel approprié (non fourni, dépendant du type de mur, de sol ou de plafond).
- Placer le ventilateur tel souhaité sur le pied.
- Serrez les écrous (A).

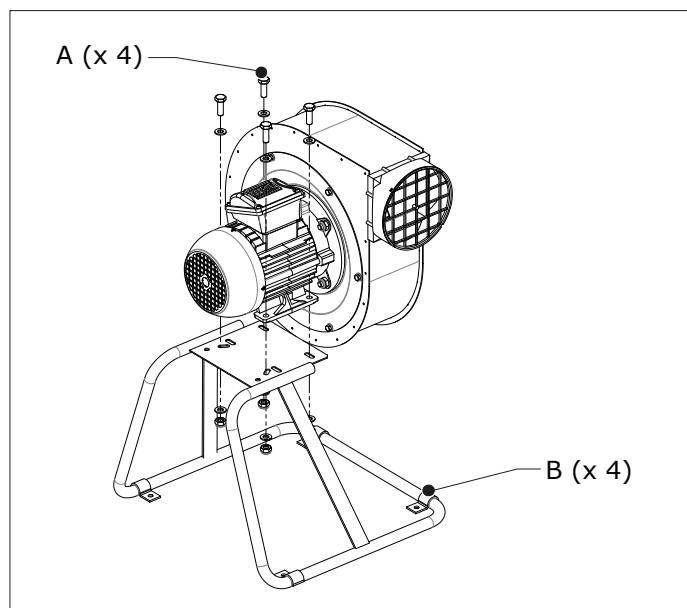


Fig. 4.1 Installation du ventilateur sur un MB-FUA-S1/S2

4.2.3 Installation du ventilateur sur un MB-FUA-C1/C2

A utiliser sur un extracteur (UK ou FlexMax) ou avec des systèmes d'extraction de gaz d'échappement de véhicule.

Veillez procéder comme suit pour installer le ventilateur sur un support MB-FUA-C1/C2 :

Fig. 4.2

- Utiliser les trous de montage (A) et de matériel approprié (non fourni, le matériel dépend du type de mur) pour monter le support au mur.
- Placer le ventilateur sur le support.
- Serrez les écrous (B).

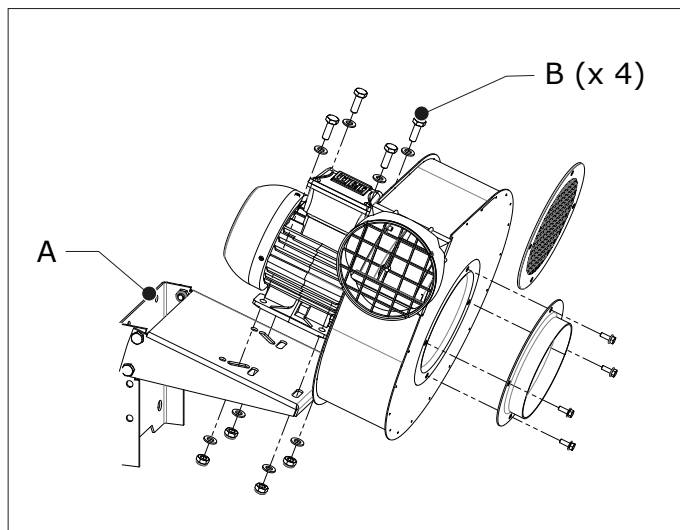


Fig. 4.2 Installation du ventilateur sur un MB-FUA-C1/C2

4.2.4 Modification de la position de sortie

La sortie du ventilateur peut être orientée dans différentes directions (voir la Fig. 4.3).

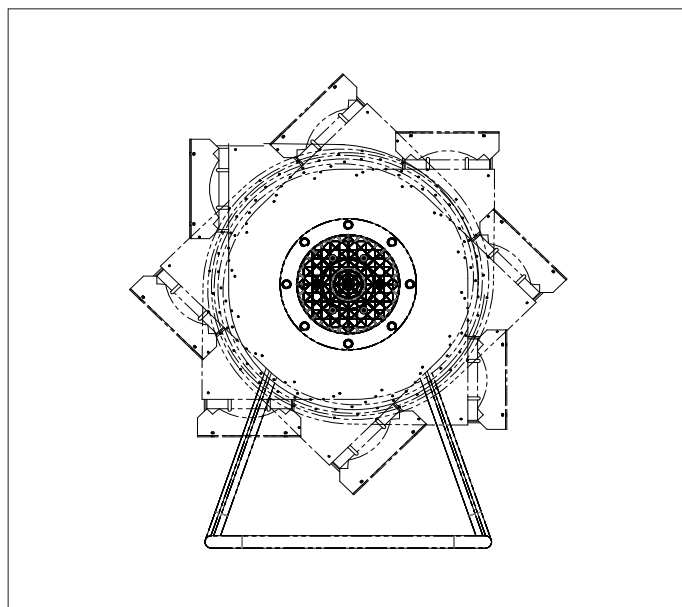


Fig. 4.3 Position d'échappement variable

Veillez procéder comme suit pour modifier la position de la sortie du ventilateur :

Fig. 4.4

- Déterminez la position de sortie souhaitée.
- Détachez, si nécessaire, la plaque du moteur en desserrant les écrous (A).
- Tournez le moteur dans la position souhaitée.
- Serrez les écrous de la plaque du moteur.

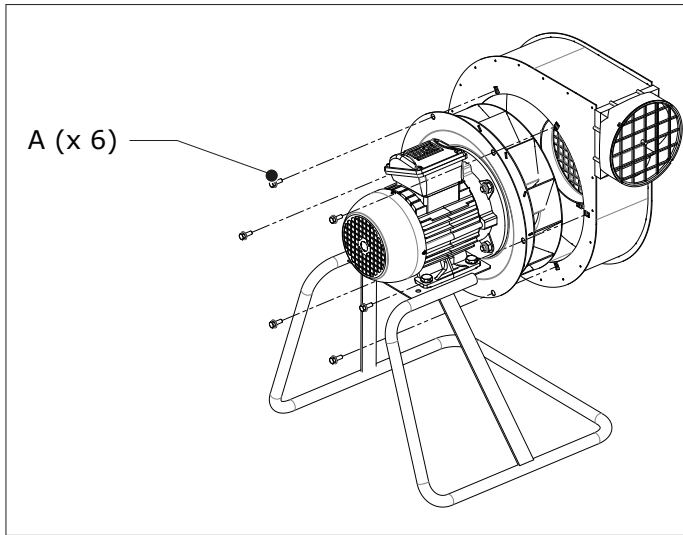


Fig. 4.4 Modification de la position de sortie

4.2.5 Installation directe du ventilateur sur un bras

Le FUA-1300/1800/2100 peut être monté sur les bras d'extraction KUA ou LM-2. Vous n'avez, dans ce cas, pas besoin de support supplémentaire. Le matériel nécessaire est fourni avec le bras.

Veillez procéder comme suit pour installer le ventilateur directement sur le bras.

Fig. 4.5

- Desserrer les écrous de la grille d'entrée (A).
- Enlever la grille.
- Placez la sortie du ventilateur sur le support.
- Serrez les écrous (B).

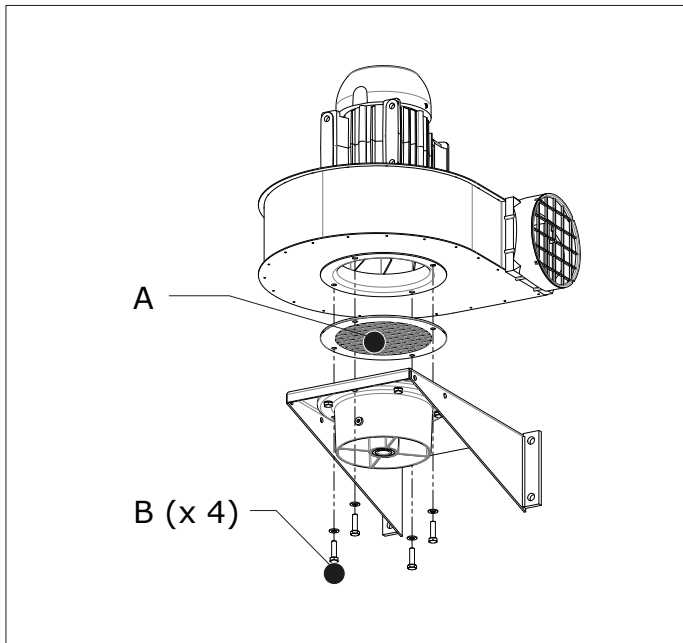


Fig. 4.5 Installation directe du ventilateur sur un bras

4.2.6 Raccordement de l'entrée du ventilateur à un flexible (FUA-1300/1800/2100)

Nous recommandons l'utilisation d'un raccordement souple pour l'entrée pour réduire le niveau sonore et les vibrations du ventilateur.

Veillez procéder comme suit pour raccorder l'entrée du ventilateur à un flexible ou à un tuyau :

Fig. 4.6

- Desserrer les écrous de la grille d'entrée (A).
- Enlever la grille.
- Fixer la transition de sortie sur le ventilateur à l'aide des écrous (B) de la grille.
- Serrez les écrous.
- Fixez le raccordement souple à la bride de raccordement.
- Serrer le collier de flexible (C).
- Fixer le raccordement souple au flexible.
- Serrer le collier de flexible (D).

4.2.7 Raccordement de la sortie du ventilateur à un tuyau (FUA-1300/1800/2100)



ATTENTION!

Si le ventilateur n'est pas placé à proximité immédiate du système de filtration, s'assurer du bon maintien du tuyau de raccordement.

Nous recommandons l'utilisation d'un raccordement souple pour la sortie pour réduire le niveau sonore et les vibrations du ventilateur et pour éviter d'endommager le tuyau.

Veillez procéder comme suit pour raccorder la sortie du ventilateur à un tuyau :

Fig. 4.6

- Fixez le raccordement souple à la bride de raccordement.
- Serrer le collier de flexible (E).
- Fixez le raccordement souple à la transition de sortie.
- Serrer le collier de flexible (F).

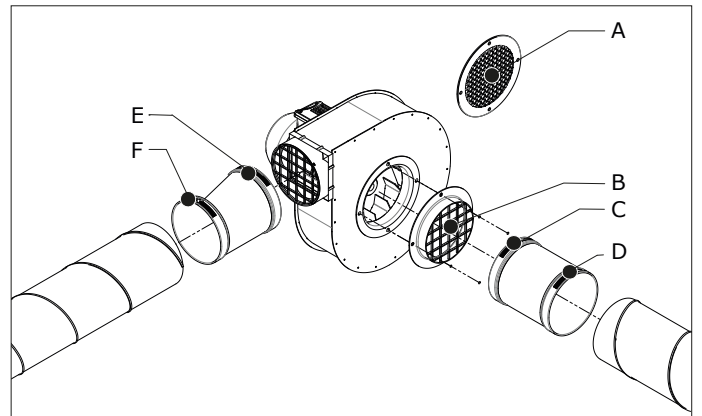


Fig. 4.6 Raccorder le ventilateur à un tuyau ou flexible (FUA-1300/1800/2100)

4.2.8 Raccordement de l'entrée du ventilateur à un flexible (FUA-3000/4700)

Nous recommandons l'utilisation d'un raccordement souple pour l'entrée pour réduire le niveau sonore et les vibrations du ventilateur.

Veillez procéder comme suit pour raccorder l'entrée du ventilateur à un flexible ou à un tuyau :

Fig. 4.7

- Fixez le raccordement souple à la bride de raccordement.
- Serrer le collier de flexible (B).
- Fixer le raccordement souple au flexible.
- Serrer le collier de flexible (C).

4.2.9 Raccordement de la sortie du ventilateur à un tuyau (FUA-3000/4700)



ATTENTION!

Si le ventilateur n'est pas placé à proximité immédiate du système de filtration, s'assurer du bon maintien du tuyau de raccordement.

Nous recommandons l'utilisation d'un raccordement souple pour a sortie pour réduire le niveau sonore et les vibrations du ventilateur et pour éviter d'endommager le tuyau.

Nous recommandons de plus l'utilisation d'une transition de sortie (carrée à ronde).

Veuillez procéder comme suit pour raccorder la sortie du ventilateur à un tuyau :

Fig. 4.7

- Desserrer les écrous de la grille de sortie (A).
- Enlever la grille.
- Fixer la transition de sortie sur le ventilateur à l'aide des écrous (D) de la grille.
- Serrez les écrous.
- Fixez le raccordement souple à la transition de sortie.
- Serrer le collier de flexible (E).
- Fixer le raccordement souple au tuyau.
- Serrer le collier de flexible (F).

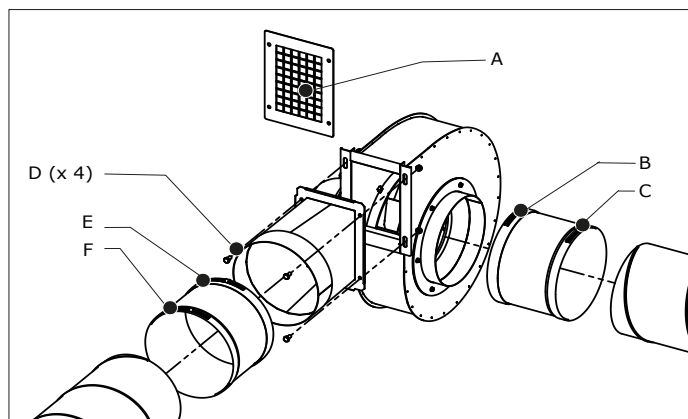


Fig. 4.7 Raccorder le ventilateur à un tuyau ou flexible (FUA-3000/4700)

4.3 Raccordement électrique



ATTENTION!

La connexion électrique doit être effectuée en accord avec les exigences locales. Assurez-vous de la conformité aux dispositions des règlements CEM.



MISE EN GARDE!

S'assurer que le ventilateur peut être raccordé au courant principal. Vous obtiendrez des informations sur la tension et la fréquence de raccordement sur la plaque signalétique. Les câbles sont à raccorder conformément aux instructions et réglementations locales et par des techniciens qualifiés et habilités.

Le réglage standard est de 400 V. En cas d'utilisation d'une autre tension, modifier le câblage conformément aux instructions de la plaque signalétique.

Veuillez procéder comme raccorder le dispositif de démarrage :

- Raccorder le ventilateur au dispositif de démarrage choisi conformément aux indications de la plaque signalétique sur le moteur.
- Raccorder le dispositif de démarrage au courant principal conformément au schéma électrique fourni séparément.
- Vérifiez le sens de rotation du moteur. Le ventilateur est doté, à cet effet, d'une flèche indiquant le sens de rotation prescrit. La rotation est visible à travers la grille du moteur.

- Inverser, si nécessaire, le raccordement des phases.

5 UTILISATION

Consulter la documentation de l'équipement de commande choisi pour la commande du ventilateur.

6 ENTRETIEN

Le ventilateur ne nécessite aucune maintenance particulière.

7 RÉPARATION DES PANNES

Si le produit ne fonctionne pas (correctement), consulter la liste de contrôle ci-dessous pour tenter de résoudre le problème. Si ce n'est pas possible, contacter le fournisseur.



MISE EN GARDE!

Teindre systématiquement la machine et la débrancher du courant principal avant d'effectuer les opérations ci-dessous. Lire au préalable les instructions de maintenance au début de ce manuel.

Symptôme	Problème	Cause possible	Solution
Le moteur ne démarre pas.	La machine ne fonctionne pas.	Absence de tension.	Vérifier la tension principale.
		Câble de principal défectueux.	Réparer ou remplacer le câble du principal.
		Contacts desserrés.	Réparer les contacts.
		Commutateur de protection du moteur défectueux.	Remplacer le commutateur de protection du moteur.
		Moteur défectueux.	Réparer ou remplacer le moteur.
Le moteur ronfle mais ne fonctionne pas.	La machine ne fonctionne pas.	Le moteur fonctionne sur 2 phases au lieu de 3 (uniquement sur les moteurs triphasés).	Réparer le raccordement de la phase.
		Condensateur moteur défectueux/non raccordé (moteur monophasé uniquement).	Réparer ou remplacer le condensateur du moteur.
Le moteur s'arrête automatiquement.	La machine ne fonctionne pas.	Commutateur de protection du moteur activé.	Laisser la machine refroidir pendant un moment. Vérifier le réglage du commutateur de protection du moteur (MPS) conformément au schéma électrique.
		Moteur défectueux.	Réparer ou remplacer le moteur.

Symptôme	Problème	Cause possible	Solution
Faible aspiration.	La machine ne fonctionne pas correctement.	Sens de rotation du moteur inversé (moteur triphasé uniquement).	Inverser le sens de rotation.
		Moteur défectueux.	Réparer ou remplacer le moteur.
		Ventilateur d'extraction encrassé.	Nettoyer le ventilateur d'extraction.
		Extraction d'air extérieur.	Vérifier ou remplacer les joints.
Vibrations dans la machine.	Machine instable.	Déséquilibre dans le ventilateur d'extraction.	Nettoyer le ventilateur d'extraction.

8 PIÈCES DÉTACHÉES

Les pièces de rechange suivantes sont disponibles pour le produit. Veuillez consulter les vues explosées en page 47:

- Fig. III pour les FUA-1300/1800/2100;
- Fig. IV pour les FUA-3000/4700.

No. article	Description
FUA-1300	
0000100580	Roue de ventilateur FUA-1300
0000100585	Bride d'entrée FUA-1300/1800
0000100588	Grille de sortie FUA-1300/1800/2100
0000100589	Moteur FUA-1300; 230-400V/3ph/50Hz
0000100590	Moteur FUA-1300; 230V/1ph/50Hz
0000100597	Grille d'entrée (fine) FUA-1300/1800/2100
0000100995	Bride de connexion avec grille FUA-1300/1800/2100
FUA-1800	
0000100581	Roue de ventilateur FUA-1800
0000100585	Bride d'entrée FUA-1300/1800
0000100588	Grille de sortie FUA-1300/1800/2100
0000100591	Moteur FUA-1800; 230-400V/3ph/50H
0000100597	Grille d'entrée (fine) FUA-1300/1800/2100
0000100995	Bride de connexion avec grille FUA-1300/1800/2100
FUA-2100	
0000100582	Roue de ventilateur FUA-2100
0000100586	Bride d'entrée FUA-2100
0000100588	Grille de sortie FUA-1300/1800/2100
0000100592	Moteur FUA-2100; 230-400V/3ph/50Hz
0000100593	Moteur FUA-2100; 230V/1ph/50Hz
0000100597	Grille d'entrée (fine) FUA-1300/1800/2100
0000100995	Bride de connexion avec grille FUA-1300/1800/2100
FUA-3000	
0000100583	Roue de ventilateur FUA-3000
0000100594	Moteur FUA-3000; 230-400V/3ph/50Hz
FUA-4700	
0000100584	Roue de ventilateur FUA-4700
0000100595	Moteur FUA-4700; 230-400V/3ph/50Hz

9 SCHÉMA ÉLECTRIQUE

Reportez-vous au schéma électrique fourni séparément.

10 METTRE AU RANCART

À l'issue de sa durée de vie, débarrassez-vous du produit conformément à la réglementation et/ou directives locales en vigueur.

DÉCLARATION DE CONFORMITÉ

Déclaration de Conformité pour les machines

Nous, soussignés, Plymovent Manufacturing B.V., Wezelkoog 11, 1822 BL Alkmaar, Pays-Bas, déclarons que la/les machine(s) désignée(s) ci-après :

- FUA-1800
- FUA-2100
- FUA-3000
- FUA-4700

à laquelle/lesquelles la présente déclaration se rapporte, est/sont conforme(s) aux dispositions de la ou des Directives suivantes :

- Directive Machines 2006/42 CE
- Directive EMC 2004/108 CE
- Directive Basse Tension 2006/95/CE
- Directive ErP 2009/125/CE (Produits ayant un Impact sur l'Energie)

Alkmaar, Pays-Bas, le 1er décembre 2012



Ir. F. Coehoorn
Vice President Research & Development

Une installation se définit en tant que combinaison de différents produits ou composants finis assemblés en vue d'être installés à un endroit donné. Les différentes parties de l'installation sont destinées à fonctionner ensemble dans un environnement donné et d'exécuter une tâche spécifiée. Toute l'installation doit être conforme aux directives et normes correspondantes. Les instructions d'assemblage indiquées par le fabricant, ainsi que la méthode globale d'installation, doivent se conformer aux bonnes pratiques techniques dans le contexte des installations ainsi qu'aux réglementations régissant l'installation. L'installateur est responsable, suivant ce qui est écrit plus haut, de l'installation et de l'édition de la déclaration CE de conformité finale.

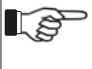




PREÁMBULO

Acerca de este manual

Este manual se editó en concepto de documento de referencia para usuarios profesionales, cualificados y debidamente autorizados. Utilizando dicho manual podrá instalar, hacer funcionar, mantener y reparar de una forma segura el producto que se indica en la cubierta.

Pictogramas y símbolos

En el presente manual figuran los siguientes pictogramas y símbolos:

	CONSEJO Sugerencias e indicaciones acerca de la manera de realizar con mayor facilidad las tareas y actuaciones que se describen.
	¡ATENCIÓN! Comentario sobre información adicional para el usuario. El comentario alerta al usuario de posibles problemas.
	¡ADVERTENCIA! Advierte sobre operaciones las cuales, en caso de no ejecutarse con el debido cuidado, pueden conducir a serios desperfectos en el producto y lesionar a las personas.
	¡ADVERTENCIA! ¡Peligro de descargas eléctricas!
	¡ADVERTENCIA! Advertencia importante para evitar incendios.

Indicadores de texto

Los listados indicados mediante un “-” (guión) se refieren a enumeraciones. Los listados indicados mediante un “•” (punto) se refieren a pasos que hay llevar a cabo.

Servicio posventa

Con relación a determinados ajustes, tareas de mantenimiento y reparaciones que no se tratan en el presente manual, se ruega dirigirse al proveedor del producto. Dado el caso, se ruega tener preparados los siguientes datos:

- denominación del producto
- número de serie

Estos datos figuran en la placa de características.

1 INTRODUCCIÓN

1.1 Identificación del producto

La placa de características contiene los siguientes datos:

- denominación del producto
- número de serie
- tensión de conexión y frecuencia
- potencia

1.2 Descripción general

El FUA es un ventilador de aspiración diseñado especialmente para eliminar los humos de soldadura y otros gases perjudiciales como el polvo, la neblina de aceite y los gases de escape.

El ventilador está pensado y diseñado para montarse en brazos de aspiración y unidades de filtración.

1.3 Combinaciones del producto

El ventilador se puede usar con todas las unidades de filtración, sistemas de aspiración de humos y de rollos de manguera/mangueras de caída.

1.4 Opciones y accesorios

Los productos siguientes pueden obtenerse como opción o accesorio:

- Base de soporte de montaje (para montaje independiente o en la pared, techo o plataforma)
 - FUA-1300/1800/2100: MB-FUA/S1
 - FUA-3000/4700: MB-FUA/S2
- Grúa de soporte de montaje (para montaje en UK o FlexMax)
 - FUA-1300/1800/2100: MB-FUA/C1
 - FUA-3000/4700: MB-FUA/C2
- Adaptador de salida
 - FUA-3000: OL-250 (Ø 250 mm)
 - FUA-4700: OL-250 (Ø 250 mm)
 - FUA-4700: OL-315 (Ø 315 mm)
- Conexión flexible
 - FUA-1300/1800/2100: SC-160 (entrada/salida)
 - FUA-3000/4700: SC-250 (entrada/salida)
 - FUA-4700: SC-315 (salida)

1.5 Datos técnicos

Diseño del motor	IE2
Número de revoluciones	2800 rpm
Clase de aislamiento	F
Clase de protección	IP 55
Arranques/paros máx. por hora	30
Temperatura máx. flujo de aire	80°C (176°F)
Nivel de ruido conforme a ISO 3746 (conducto de presión y lado de aspiración conectado)	
- FUA-1300	63 dB(A)
- FUA-1800	64 dB(A)
- FUA-2100	66 dB(A)
- FUA-3000	68 dB(A)
- FUA-4700	66 dB(A)
Tensiones de alimentación	
- FUA-1300	230V/1~/50Hz; 230-400V/3~/50Hz
- FUA-1800	230-400V/3~/50Hz
- FUA-2100	230V/1~/50Hz; 230-400V/3~/50Hz
- FUA-3000	230-400V/3~/50Hz
- FUA-4700	230-400V/3~/50Hz
Potencia	
- FUA-1300	0,37kW (0.5 HP)
- FUA-1800	0,55kW (0.75 HP)
- FUA-2100	0,75kW (1 HP)
- FUA-3000	1,1kW (1.5 HP)
- FUA-4700	2,2kW (3 HP)
Corriente nominal	
- FUA-1300	1~: 2,75 A; 3~: 1,02/1,1 A
- FUA-1800	1,4-1,5 A
- FUA-2100	1~: 5 A; 3~: 1,9-2 A
- FUA-3000	2,5-2,7 A
- FUA-4700	4,8-4,9 A



Consulte las fichas técnicas disponibles para obtener especificaciones detalladas.

1.6 Dimensiones

Véase Fig. I en la página 45.

Fig. I

L = Rueda de ventilador (no demostrado)

1 = diámetro

2 = ancho

1.7 Caída de presión

Véase Fig. II en la página 46.

Fig. II

A = Presión estática (Pa)

B = Corriente de aire (m³/h)

1.8 Condiciones de entorno

Temperatura mínima de servicio	5°C (41°F)
Temperatura nominal de servicio	20°C (68°F)
Temperatura máxima de servicio	40°C (104°F)
Humedad relativa del aire máxima	80%

2 DESCRIPCIÓN DEL PRODUCTO

2.1 Componentes

El ventilador consta de los siguientes componentes principales:

Fig. 2.1/ Fig. 2.1

A salida

B motor

C caja

D entrada

E rueda del ventilador

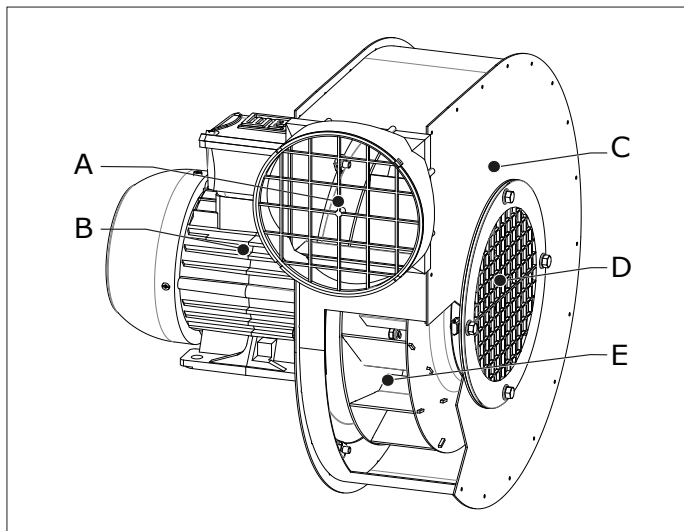


Fig. 2.1 Componentes principales FUA-1300/1800/2100

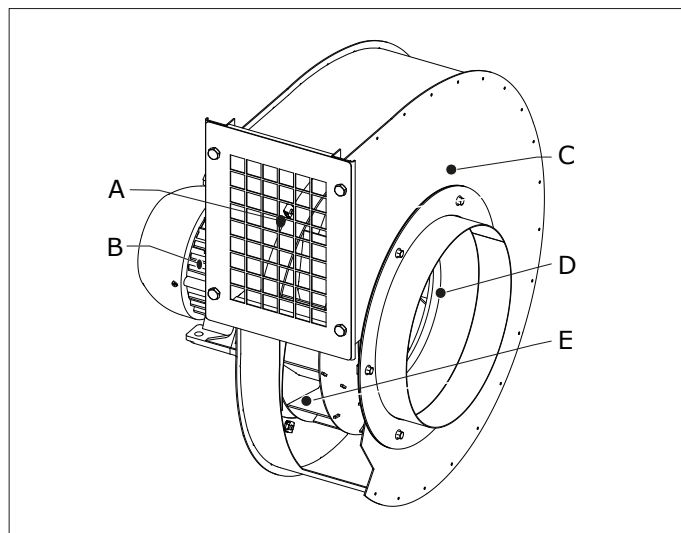


Fig. 2.1 Componentes principales FUA-3000/4700

2.2 Funcionamiento

La entrada de la parte posterior del ventilador se debe conectar a la salida de un sistema centralizado de filtración, brazo de aspiración o sistema de aspiración de gases de escape de vehículos.

Hay diversas opciones para controlar el ventilador.

2.2.1 Equipos de control

Plymovent proporciona un equipo de control para controlar el ventilador. Consulte el manual del equipo de control seleccionado.

3 NORMATIVAS DE SEGURIDAD

Generalidades

El fabricante no se responsabiliza de ningún modo de los daños o lesiones que se puedan producir a causa del incumplimiento (exacto) de las normativas e instrucciones en materia de seguridad que se dan en el presente manual, así como en casos de negligencia durante la instalación, el manejo, el mantenimiento y la reparación del producto o de los posibles accesorios que se describen en el presente documento. Puede resultar necesario, en función de las condiciones de trabajo específicas, la edición de normas de seguridad complementarias. En el caso de detectarse, durante el uso del producto, posibles fuentes de peligro, se ruega ponerse en contacto con el proveedor del producto.

El usuario del producto tiene en todo momento la plena responsabilidad del cumplimiento de las normativas y directivas que en materia de seguridad puedan regir localmente.

Instrucciones de uso

- Toda persona que utilice el producto debe estar familiarizada con el contenido de las presentes instrucciones y debe cumplir al pie de la letra las indicaciones que en las mismas se dan. La Dirección de la empresa asume la obligación de instruir al personal basándose en dichas instrucciones, así como de cumplir todas las normas e instrucciones.
- El usuario no debe alterar en ningún momento el orden de las actuaciones que se tienen que realizar.
- Estas instrucciones se deben guardar siempre en las proximidades del producto.

Pictogramas e indicaciones en el propio producto (donde existan)

- Los pictogramas, advertencias e instrucciones que se dan en el propio producto forman parte de los dispositivos de seguridad instalados. No deben ser cubiertos o eliminados y deben estar claramente legibles durante toda la vida útil del equipo.
- Los pictogramas, advertencias e instrucciones que se hayan hecho ilegibles se tendrán que reemplazar o reparar inmediatamente.

Operarios

El manejo del equipo que aquí se describe queda reservado al personal debidamente cualificado y autorizado. Los empleados temporales, así como los aprendices u otras personas en formación, sólo pueden manejar el equipo bajo la supervisión y responsabilidad de personal experto.

Utilización debida¹

El producto se ha diseñado como un ventilador de aspiración para aspirar humos y gases que se liberen durante los procesos de soldadura más comunes, así como para aspirar gases de escape. Todo uso distinto o que vaya más allá de esta finalidad será considerado como uso indebido.

El fabricante declina toda responsabilidad de los daños o lesiones que se puedan producir a causa de tal uso indebido. El producto corresponde a las normas y directivas en vigor y debe utilizarse exclusivamente en estado técnicamente correcto y con arreglo a su finalidad tal y como se ha indicado arriba.

Datos técnicos

Los datos que figuran en el presente manual no deben ser modificados.

Modificaciones



No se permiten modificaciones o cambios del equipo o de componentes del mismo.

Instalación

- La instalación del equipo que aquí se describe queda reservada al personal debidamente cualificado y autorizado.
- Inspeccione el producto cuidadosamente y compruebe la inexistencia de daños. Verifique además el funcionamiento correcto de los dispositivos de protección.
- La conexión eléctrica se deberá llevar a cabo conforme a las normas locales. Asegúrese de que se cumpla la normativa sobre compatibilidad electromagnética (CEM).
- Durante la instalación, use siempre equipo de protección personal (PPE) para evitar daños. Esto también es aplicable para personas que accedan a la zona de trabajo durante la instalación.
- No instale el producto nunca delante de pasos de entrada o salida que tienen que permanecer accesibles para servicios de salvamento o similares.
- Tenga cuidado con cualquier tubería de gas y agua y con los cables eléctricos.
- Asegúrese de que dispone, en su lugar de trabajo, del número necesario de aparatos anti-incendio debidamente homologados.

1. La "utilización debida" según la definición de EN-ISO 12100 es la utilización para la cual el producto técnico es adecuado en virtud de las indicaciones del fabricante, inclusive las indicaciones de éste en el folleto de venta. En casos arbitrarios, se trata de la utilización que se puede derivar como usual en virtud de la construcción, la ejecución y la función del producto en cuestión. El uso debido incluye además el cumplimiento de las instrucciones en el manual de servicio o las instrucciones de uso.

Uso

	ADVERTENCIA ¡Peligro de incendio! No use el producto nunca para: <ul style="list-style-type: none">- aspirar partículas inflamables, incandescentes o que se estén quemando o sólidos o líquidos- aspirar humos agresivos (como ácido clorhídrico) o partículas afiladas- aspirar cigarrillos, puros, tejidos con aceite y otras partículas, objetos y ácidos que puedan arder
	¡ADVERTENCIA! No use el producto nunca para: <ul style="list-style-type: none">- corte de aluminio por láser- neblina de pintura- aspiración de gases calientes (más de 80°C/176°F continuamente)- amolado de aluminio y magnesio- soldadura con llama- aspiración de cemento, serrín, polvo de madera, etc.- aspiración de cigarrillos, puros, tejidos con aceite y otras partículas, objetos y ácidos que pueden arder- entornos explosivos o sustancias/gases explosivos <i>Nota: esta lista no es completa.</i>

- Compruebe la zona de trabajo y mantenga alejada del mismo a toda persona no autorizada.
- Proteja el producto frente a la humedad y el agua.
- Asegure en todo momento una buena ventilación, en especial en dependencias de tamaño reducido.
- Utilice su sentido común. Esté atento y preste mucha atención a su trabajo. No maneje el producto nunca en estado de embriaguez o tras ingerir medicamentos.

Servicio, mantenimiento y reparaciones

- Durante los trabajos de servicio, mantenimiento y reparación, use siempre equipo de protección personal (PPE) para evitar daños. Esto también es aplicable para personas que accedan a la zona de trabajo durante la instalación.
- Utilice en todo momento herramientas y materiales homologados por el fabricante, así como repuestos, técnicas de servicio, y lubricantes homologados. No utilice nunca herramientas desgastadas y preste atención a no olvidar herramientas en el producto tras realizar tareas de mantenimiento.
- Los dispositivos de protección que se desmontan con el fin de realizar tareas de servicio, mantenimiento y reparación deben montarse de nuevo una vez terminadas dichas tareas y tienen que comprobarse respecto a su perfecto funcionamiento.

4 INSTALLATION

4.1 Desembalaje

Compruebe la integridad del producto suministrado. El embalaje contiene los siguientes elementos:

- ventilador de aspiración

Opciones y accesorios

El MB-FUA/S1-2 debe contener:

- base de soporte de montaje
- brida de conexión con rejilla (solo S1)
- abrazaderas (4)
- herramientas de montaje

El MB-FUA/C1-2 debe contener:

- grúa de soporte de montaje
- brida de conexión (solo C1)
- herramientas de montaje

La OL (transición de salida) debe contener:
- transición de salida de cuadrada a redonda

La SC (conexión flexible) debe contener:
- conexión flexible con 2 abrazaderas

En el caso de que falte o esté dañado alguno de estos elementos, se ruega dirigirse al proveedor.

4.2 Instalación

4.2.1 Herramientas y avíos

Se necesitan las siguientes herramientas y requisitos para instalar el producto:

- llave 10
- llave 13
- llave 17
- destornillador

4.2.2 Cómo instalar el ventilador en un MB-FUA-S1/S2

Para usarlo de forma independiente o para montarlo en la pared, techo o plataforma. El motor se puede instalar descansando sobre el soporte. El motor del FUA-1300/1800/2100 se puede instalar también boca abajo (colgado del soporte, no se muestra).

Para instalar el ventilador en un MB-FUA-S1/S2, proceda de la siguiente manera:

Fig. 4.1

- Monte el soporte en el lugar deseado.
- Acople las abrazaderas (B) como desee, si es aplicable.
- Apriete las abrazaderas con una herramienta de montaje idónea (no suministrada; el material depende del tipo de pared, suelo o techo).
- Coloque el ventilador en el soporte tal como desee.
- Apriete los pernos (A).

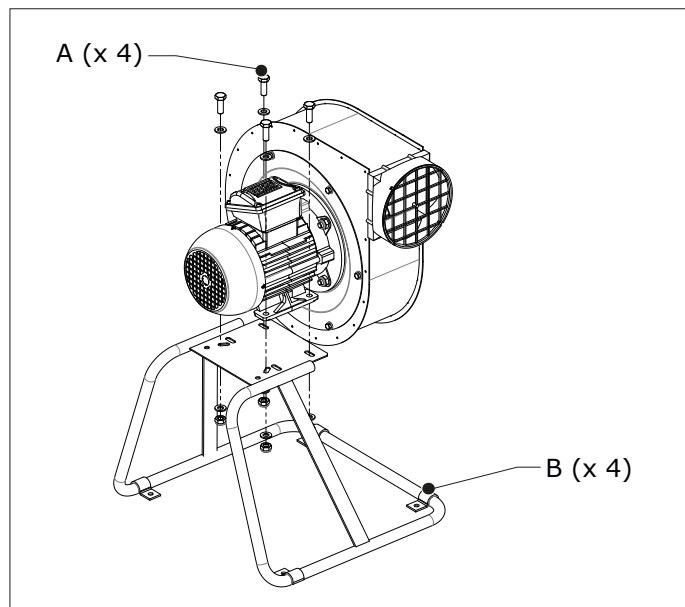


Fig. 4.1 Cómo instalar el ventilador en un MB-FUA-S1/S2

4.2.3 Cómo instalar el ventilador en un MB-FUA-C1/C2

Para usarlo en un aspirador (UK or FlexMax) o usarlo con sistemas de aspiración de gases de escape de vehículos.

Para instalar el ventilador en un soporte MB-FUA-C1/C2, proceda de la siguiente manera:

Fig. 4.2

- Use los orificios de montaje (A) y la herramienta de montaje adecuada (no suministrada, el material depende del tipo de pared) para montar el soporte en la pared.
- Coloque el ventilador en el soporte.
- Apriete los pernos (B).

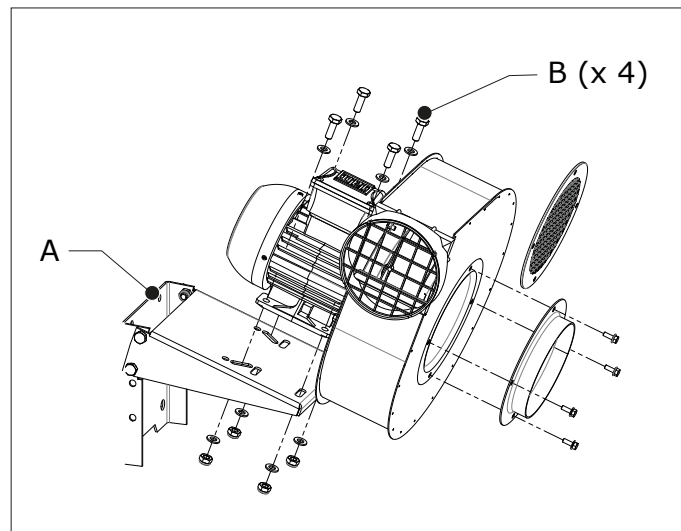


Fig. 4.2 Cómo instalar el ventilador en un MB-FUA-C1/C2

4.2.4 Cómo cambiar la posición de salida

La salida del ventilador se puede colocar en diversas direcciones (véase Fig. 4.3).

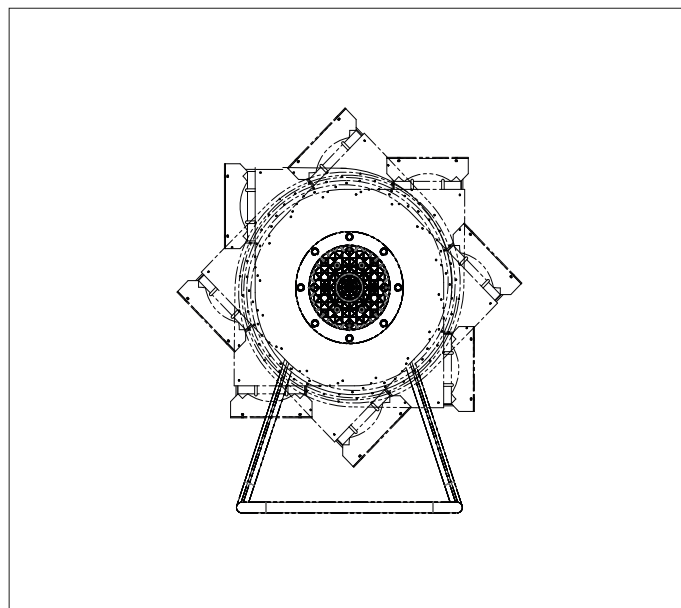


Fig. 4.3 Posición de salida variable

Para cambiar la posición de salida del ventilador, proceda de la siguiente manera:

Fig. 4.4

- Defina la posición de salida deseada.
- Si es necesario, afloje la placa del motor desatornillando los pernos (A).
- Gire el motor a la posición deseada.
- Apriete los pernos de la placa del motor.

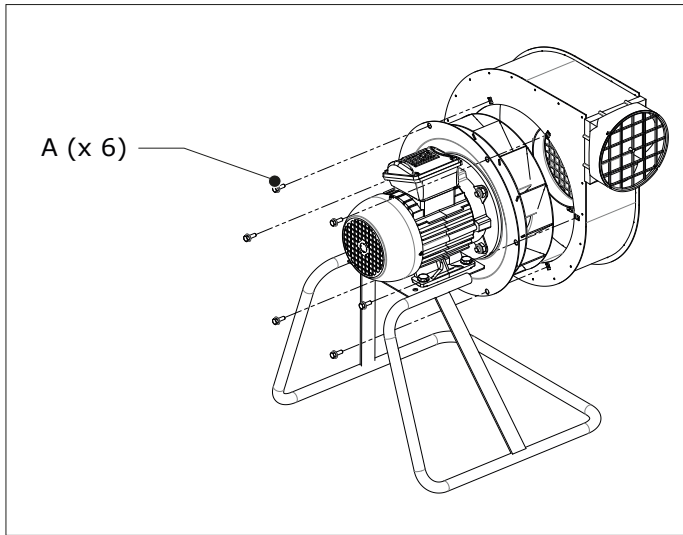


Fig. 4.4 Cómo cambiar la posición de salida

4.2.5 Cómo instalar el ventilador directamente en un brazo

El FUA-1300/1800/2100 se puede usar en el brazo de aspiración KUA o LM-2. En ese caso, no se requiere un soporte adicional. Con el brazo se suministran las herramientas de montaje necesarias.

Para instalar el ventilador directamente en el brazo, proceda de la siguiente manera.

Fig. 4.5

- Afloje los pernos de la rejilla de entrada (A).
- Retire la rejilla.
- Coloque la entrada del ventilador en el soporte.
- Apriete los pernos (B).

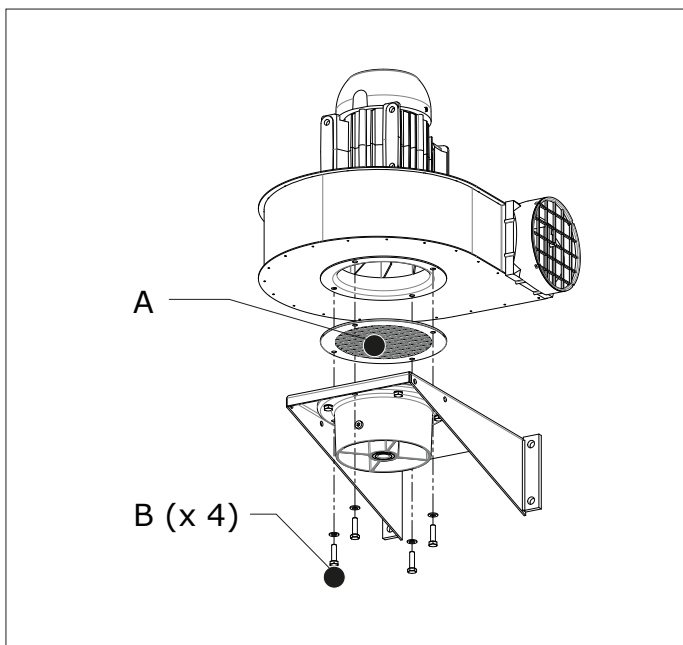


Fig. 4.5 Cómo instalar el ventilador directamente en un brazo

4.2.6 Cómo conectar la entrada del ventilador a una manguera (FUA-1300/1800/2100)

Recomendamos el uso de una conexión flexible para la entrada para reducir el ruido y las vibraciones del ventilador.

Para conectar la entrada del ventilador a una manguera o un conducto, proceda de la siguiente manera:

Fig. 4.6

- Afloje los pernos de la rejilla de entrada (A).
- Retire la rejilla.
- Monte la brida de conexión (B) con los pernos de la rejilla de entrada.
- Apriete los pernos.
- Acople la conexión flexible a la brida de conexión
- Apriete la abrazadera (C).
- Acople la conexión flexible a la manguera.
- Apriete la abrazadera (D).

4.2.7 Cómo conectar la salida del ventilador a un conducto (FUA-1300/1800/2100)



¡ATENCIÓN!

En caso de que el ventilador no esté colocado justo junto al sistema de filtración, asegúrese de que el conducto de conexión esté suficientemente sujeto.

Recomendamos el uso de una conexión flexible para la salida para reducir el ruido y las vibraciones del ventilador y evitar daños en el conducto.

Para conectar la salida del ventilador a un conducto, proceda de la siguiente manera:

Fig. 4.6

- Acople la conexión flexible a la salida del ventilador.
- Apriete la abrazadera (E).
- Acople la conexión flexible al conducto.
- Apriete la abrazadera (F).

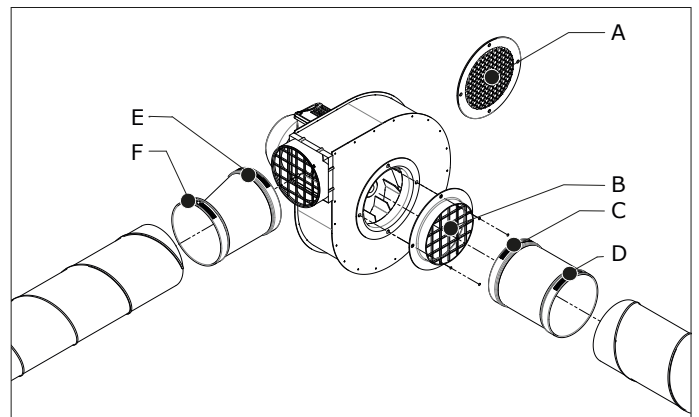


Fig. 4.6 Conexión del ventilador a un conducto o manguera (FUA-1300/1800/2100)

4.2.8 Cómo conectar la entrada del ventilador a una manguera (FUA-3000/4700)

Recomendamos el uso de una conexión flexible para la entrada para reducir el ruido y las vibraciones del ventilador.

Para conectar la entrada del ventilador a una manguera o un conducto, proceda de la siguiente manera:

Fig. 4.7

- Acople la conexión flexible a la brida de conexión.
- Apriete la abrazadera (B).
- Acople la conexión flexible a la manguera.
- Apriete la abrazadera (C).

4.2.9 Cómo conectar la salida del ventilador a un conducto (FUA-3000/4700)



¡ATENCIÓN!

En caso de que el ventilador no esté colocado justo junto al sistema de filtración, asegúrese de que el conducto de conexión esté suficientemente sujeto.

Recomendamos el uso de una conexión flexible para la salida para reducir el ruido y las vibraciones del ventilador y evitar daños en el conducto. Además, recomendamos el uso de un transición de salida (cuadrada a redonda).

Para conectar la salida del ventilador a un conducto, proceda de la siguiente manera:

Fig. 4.7

- Afloje los pernos de la rejilla de salida (A).
- Retire la rejilla.
- Acople la transición de salida del ventilador con los pernos (D) de la rejilla.
- Apriete los pernos de la transición.
- Acople la conexión flexible a la transición.
- Apriete la abrazadera (E).
- Acople la conexión flexible al conducto.
- Apriete la abrazadera (F).

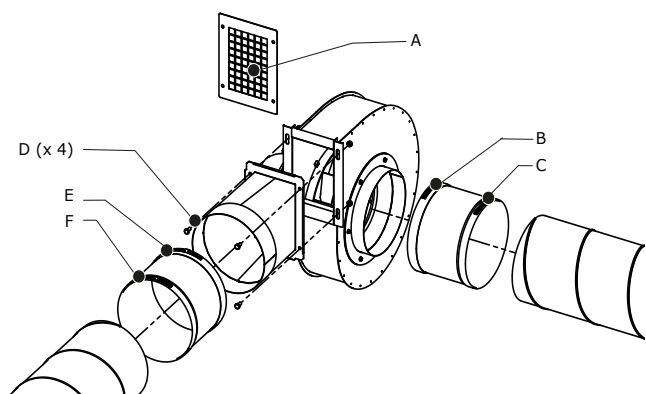


Fig. 4.7 Conexión del ventilador a un conducto o manguera (FUA-3000/4700)

4.3 Conexión eléctrica

	<p>¡ATENCIÓN! La conexión eléctrica se deberá llevar a cabo conforme a las normas locales. Asegúrese de que se cumpla la normativa sobre compatibilidad electromagnética (CEM).</p>
	<p>¡ADVERTENCIA! Asegúrese de que el ventilador es idóneo para conectarlo a la red local. Se puede encontrar información sobre la tensión y frecuencia de alimentación en la placa de características. Los cables se deberán conectar conforme a las normas y reglamentaciones locales y solo lo podrán hacer técnicos autorizados y cualificados.</p>

La configuración estándar es 400 V. Si se usa otra tensión, se deberá cambiar el cableado conforme a las instrucciones de la placa de características.

Para conectar el dispositivo de arranque, proceda de la siguiente manera:

- Conecte el ventilador al dispositivo de arranque elegido conforme a la información de la placa de características del motor.
- Conecte el dispositivo de arranque a la red conforme al esquema eléctrico entregado por separado.
- Compruebe la dirección de giro del motor. Para ello, el contenedor contiene una flecha que indica la dirección de giro prescrita. La dirección se puede ver a través de la rejilla del motor.

5 USO

Consulte la documentación entregada con el equipo de control seleccionado sobre cómo controlar el ventilador.

6 MANTENIMIENTO

Los ventiladores no requieren un mantenimiento específico.

7 SUBSANACIÓN DE FALLOS

Si el producto no funciona (correctamente), consulte la lista de comprobación que hay más abajo para ver si puede solucionar el error Ud. mismo. Si no es posible, póngase en contacto con su proveedor.



¡ADVERTENCIA!

Apague siempre la máquina y desconéctela de la red antes de llevar a cabo las siguientes actividades. Lea primero las normas de mantenimiento al principio de este manual.

Síntoma	Problema	Causa posible	Solución
El motor no arranca.	La máquina no funciona.	No hay tensión de red.	Compruebe la tensión de red.
		Cable de red defectuoso.	Repáre o sustituya el cable de red.
		Contactos sueltos.	Repáre los contactos.
		Interruptor de protección del motor defectuoso.	Sustitúyalo.
		Motor averiado.	Repáre o sustituya el motor.
El motor hace un zumbido, pero no funciona.	La máquina no funciona.	El motor usa dos fases en vez de tres (solo en motores trifásicos).	Repáre la conexión de fases.
		El condensador del motor está averiado/no conectado (solo en motores monofásicos).	Repáre o sustituya el condensador del motor.
El motor se para automáticamente.	La máquina no funciona.	Interruptor de protección del motor activado.	Deje que la máquina se enfríe durante un tiempo. Compruebe el ajuste del interruptor de protección del motor (MPS) conforme al esquema eléctrico.
		Motor averiado.	Repáre o sustituya el motor.

Síntoma	Problema	Causa posible	Solución
Mala succión.	La máquina no funciona correctamente.	La dirección de giro del motor está invertida (solo en motores trifásicos).	Cambie la dirección de giro.
		Motor averiado.	Repare o sustituya el motor.
		Ventilador de aspiración contaminado.	Límpielo.
		Se está aspirando aire exterior.	Compruebe o sustituya el material de sellado.
Vibraciones en la máquina.	La máquina no está firme.	Desequilibrio en el ventilador de aspiración.	Límpielo.

8 PIEZAS DE RECAMBIO

Las siguientes piezas de repuesto están disponibles para el producto. Consulte la vista de despiece de la página 47:

- Fig. III para el FUA-1300/1800/2100;
- Fig. IV para el FUA-3000/4700.

Núm. art.	Descripción
FUA-1300	
0000100580	Rueda de ventilador FUA-1300
0000100585	Brida de entrada FUA-1300/1800
0000100588	Rejilla de salida FUA-1300/1800/2100
0000100589	Motor FUA-1300; 230-400V/3ph/50Hz
0000100590	Motor FUA-1300; 230V/1ph/50Hz
0000100597	Rejilla de entrada (fina) FUA-1300/1800/2100
0000100995	Brida de conexión con rejilla FUA-1300/1800/2100
FUA-1800	
0000100581	Rueda de ventilador FUA-1800
0000100585	Brida de entrada FUA-1300/1800
0000100588	Rejilla de salida FUA-1300/1800/2100
0000100591	Motor FUA-1800; 230-400V/3ph/50H
0000100597	Rejilla de entrada (fina) FUA-1300/1800/2100
0000100995	Brida de conexión con rejilla FUA-1300/1800/2100
FUA-2100	
0000100582	Rueda de ventilador FUA-2100
0000100586	Brida de entrada FUA-2100
0000100588	Rejilla de salida FUA-1300/1800/2100
0000100592	Motor FUA-2100; 230-400V/3ph/50Hz
0000100593	Motor FUA-2100; 230V/1ph/50Hz
0000100597	Rejilla de entrada (fina) FUA-1300/1800/2100
0000100995	Brida de conexión con rejilla FUA-1300/1800/2100
FUA-3000	
0000100583	Rueda de ventilador FUA-3000
0000100594	Motor FUA-3000; 230-400V/3ph/50Hz
FUA-4700	
0000100584	Rueda de ventilador FUA-4700
0000100595	Motor FUA-4700; 230-400V/3ph/50Hz

9 ESQUEMA ELÉCTRICO

Consulte el esquema eléctrico ofrecido por separado.

10 DESECHAR

Cuando el producto llegue al final de su vida útil, deséchelo conforme a las leyes o directrices locales adecuadas.

DECLARACIÓN

Declaración "CE" de Conformidad

Los abajo firmantes, Plymovent Manufacturing B.V., Wezelkoog 11, 1822 BL Alkmaar, Países Bajos, declaran, bajo su exclusiva responsabilidad, que el producto/los productos:

- FUA-1800
- FUA-2100
- FUA-3000
- FUA-4700

es/son conforme a las disposiciones de las Directivas:

- Directiva de máquinas 2006/42 CE
- Directiva EMC 2004/108 CE
- Directiva sobre baja tensión 2006/95 CE
- Directiva sobre productos relacionados con la energía 2009/125 CE

Alkmaar, Países Bajos, el 1 diciembre 2012



Ir. F. Coehoorn
Vice President Research & Development

Una instalación se define como una combinación de diversos productos o componentes manufacturados que se ensamblan por un instalador en un lugar determinado. Las diversas partes de la instalación están pensadas para funcionar conjuntamente en un entorno específico y para realizar una tarea especial. Toda la instalación deberá cumplir las directrices y normas correspondientes. Las instrucciones de ensamblaje dadas por el fabricante, así como todo el método de instalación, deberá estar conforme con las buenas prácticas de la ingeniería dentro del contexto de instalación, así como con las normas de instalación. Teniendo en cuenta lo anterior, el instalador será el responsable de completar la instalación y emitir la Declaración de Conformidad CE final.






FÖRORD

Användning av manualen

Denna manual är avsedd att användas som referensmaterial för professionella, utbildade och auktoriserade användare, för att de säkert ska kunna installera, använda, underhålla och reparera produkten som nämns på framsidan av detta dokument.

Piktogram och symboler

Följande piktogram och symboler används i denna manual:

	TIPS Förslag och rekommendationer för att enklare utföra uppgifter och åtgärder.
	OBSERVERA! En anmärkning med ytterligare information för användaren. En anmärkning som fäster användarens uppmärksamhet på möjliga problem.
	WARNING! Procedurer som, om de inte utförs med nödvändig försiktighet, kan skada produkten eller orsaka allvarlig personskada.
	WARNING! Betyder risk för elfara.
	WARNING! Viktig varning för att förhindra brand.

Textindikatorer

Listor indikerade med "-" (bindestreck) avser uppräknningar. Listor indikerade med "•" (listpunkter) beskriver steg att utföra.

Service och teknisk support

För information om specifika justeringar, underhålls- eller reparationsjobb som inte beskrivs i denna manual, kontakta produktleverantören. Se till att ni har följande specifikationer till hands:

- produktnamn
- serienummer

Dessa data finns på identifieringsplåten.

1 INTRODUKTION

1.1 Identifiering av produkten

Identifieringsplåten innehåller, bland annat, följande data:

- produktnamn
- serienummer
- matningsspänning och frekvens
- strömförbrukning

1.2 Allmän beskrivning

FUA är en utsugningsfläkt som är särskilt konstruerad för undanförelse av svetsångor och andra skadliga luftföroreningar såsom damm, oljedimma och avgaser.

Fläkten är avsedd och formgiven för montering på utsugningsarmar och filterenheter.

1.3 Produktkombinationer

Fläkten kan användas med alla filterenheter, utsugnings- och slangsystem.


1.4 Tillval och tillbehör

Följande produkter kan fås som tillval och/eller tillbehör:

- Monteringsfästesstativ (för fristående eller montering mot vägg, tak eller plattform)
 - FUA-1300/1800/2100: MB-FUA/S1
 - FUA-3000/4700: MB-FUA/S2
- Monteringsfästeskran (för montering på UK eller FlexMax)
 - FUA-1300/1800/2100: MB-FUA/C1
 - FUA-3000/4700: MB-FUA/C2
- Utloppsövergång
 - FUA-3000: OL-250 (Ø 250 mm)
 - FUA-4700: OL-250 (Ø 250 mm)
 - FUA-4700: OL-315 (Ø 315 mm)
- Mjuk anslutning
 - FUA-1300/1800/2100: SC-160 (inlopp/utlopp)
 - FUA-3000/4700: SC-250 (inlopp/utlopp)
 - FUA-4700: SC-315 (utlopp)

1.5 Tekniska specifikationer

Motorkonstruktion	IE2
Varvtal	2800 rpm
Isoleringsklass	F
Kapslingsklass	IP 55
Max. start/stoppcykler per timme	30
Max. luftflödes temperatur	80°C
Bullernivå enligt ISO 3746 (tryck- och sugsideskanel ansluten)	
FUA-1300	63 dB(A)
FUA-1800	64 dB(A)
FUA-2100	66 dB(A)
FUA-3000	68 dB(A)
FUA-4700	66 dB(A)
Anslutningsspänning	
FUA-1300	230V/1~/50Hz; 230-400V/3~/50Hz
FUA-1800	230-400V/3~/50Hz
FUA-2100	230V/1~/50Hz; 230-400V/3~/50Hz
FUA-3000	230-400V/3~/50Hz
FUA-4700	230-400V/3~/50Hz
Effekt	
FUA-1300	0,37kW (0.5 HP)
FUA-1800	0,55kW (0.75 HP)
FUA-2100	0,75kW (1 HP)
FUA-3000	1,1kW (1.5 HP)
FUA-4700	2,2kW (3 HP)
Märkström	
FUA-1300	1~: 2,75 A; 3~: 1,02/1,1 A
FUA-1800	1,4-1,5 A
FUA-2100	1~: 5 A; 3~: 1,9-2 A
FUA-3000	2,5-2,7 A
FUA-4700	4,8-4,9 A

	Se det tillgängliga databladet för detaljerade produktspecifikationer.
-------------------------------------------------------------------------------------	------------------------------------------------------------------------

1.6 Dimensioner

Se Fig. I på sid. 45.

Fig. I

L = Fläkthjul (visas ej)

1 = diameter

2 = bredd

1.7 Pressure drop

Se Fig. II på sid. 46.

Fig. II

A = Statiskt tryck (Pa)

B = Luftflöde (m³/h)

1.8 Omgivande förutsättningar

Min. driftstemperatur	5°C
Nom. driftstemperatur	20°C
Max. driftstemperatur	40°C
Relativ fuktighet: max.	80%

2 PRODUKTBEKRIVNING

2.1 Komponenter

Fläkten består av följande huvudkomponenter:

Fig. 2.1/Fig. 2.2

A utlopp

B motor

C hus

D inlopp

E fläkthjul

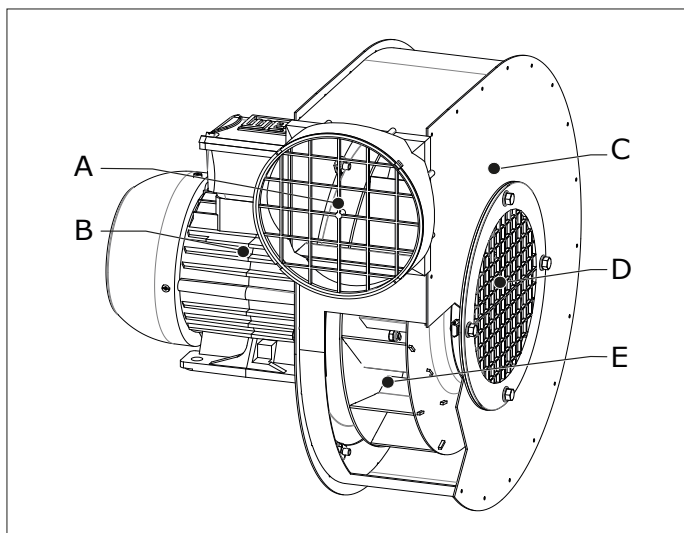


Fig. 2.1 Huvudkomponenter FUA-1300/1800/2100

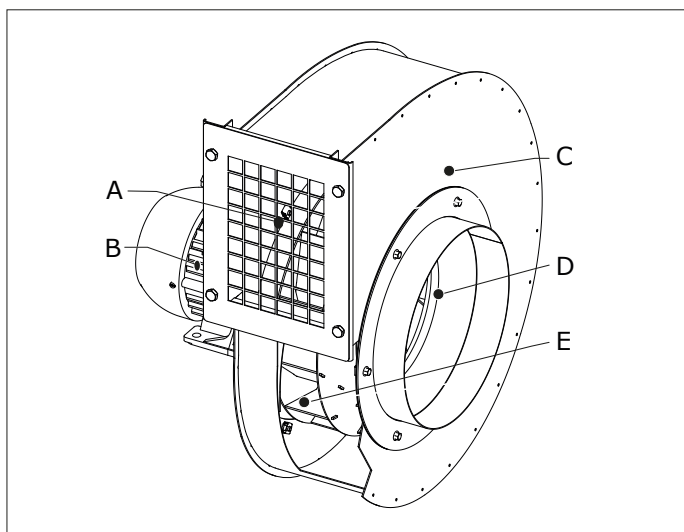


Fig. 2.2 Huvudkomponenter FUA-3000/4700

2.2 Funktion

Inloppet på fläktens baksida ska anslutas till utloppet från ett centralfilter, en utsugningsarm eller ett system för utsugning av avgaser.

Fläkten kan styras på olika sätt.

2.2.1 Styr- och reglerutrustning

Plymovent tillhandahåller kontrollutrustning för styrning av fläkten. Se den valda styranordningens bruksanvisning.

3 SÄKERHETSINFORMATION

Allmänt

Tillverkaren tar inget skadeansvar för skada på produkten eller personskada som orsakats genom underlåtenhet att följa säkerhetsinstruktionerna i denna manual, eller genom oaktsamhet under installation, användning, underhåll och reparation av produkten som nämns på omslaget till detta dokument och motsvarande tillbehör. Specifika arbetsförhållanden eller de använda tillbehören kan kräva ytterligare säkerhetsinstruktioner. Kontakta omedelbart er leverantör om ni upptäcker en potentiell fara vid användning av produkten.

Användaren av produkten är alltid helt ansvarig för att följa de lokala säkerhetsinstruktionerna och bestämmelserna.

Bruksanvisning

- Alla som arbetar på eller med systemet, måste vara bekanta med innehållet i denna manual och måste strikt följa alla instruktioner häri. Ledningen skall instruera personalen i enlighet med manualen och följa alla instruktioner och anvisningar som ges.
- Byt aldrig ordningen på stegen som ska utföras.
- Håll alltid manualen tillsammans med systemet.

Piktogram och instruktioner på produkten (om förekommande)

- Piktogram, varningar och instruktioner som är anbringade på produkterna är en del av säkerhetsanordningarna. De får inte täckas över eller avlägsnas och måste finnas kvar och vara läsbara under produktens hela livslängd.
- Ersätt eller reparera omedelbart skadade eller oläsliga symboler, varningar och instruktioner.

Användare

Användningen av detta system är reserverad exklusivt för godkända, utbildade och kompetenta användare. Temporär personal och personal i utbildning får endast använda produkten under övervakning och ansvar av kvalificerade tekniker.

Avsett bruk¹

Produkten är avsedd som utsugningsfläkt, både för utsugning av ångor och gaser som uppstår vid de vanligaste svetsprocesserna och för avgaser. Att använda produkten för andra syften anses som i strid med avsedd användning. Tillverkaren tar inget ansvar för någon sakskada eller personskada som är följden av sådan användning. Produkten har byggts i överensstämmelse med ultramoderna standarder och erkända säkerhetsföreskrifter. Använd endast denna produkt när den är i tekniskt perfekt skick, i enlighet med dess

1. "Avsedd användning" enligt förklaring i EN-ISO 12100 är den användning för vilken den tekniska produkten är lämpad enligt specifikation från tillverkaren, inklusive dennes instruktioner i försäljningsbroschyren. Vid tveksamhet är det den användning som kan härledas från konstruktionen, modellen och funktionen på den tekniska produkten som anses som normal användning. Att använda maskinen inom gränserna för den avsedda användningen innebär även att följa instruktionerna i användarmanualen.

avsedda användning och de instruktioner som ges i användarmanualen.

Tekniska specifikationer

Specifikationerna som anges i denna installationsmanual får inte förändrats.



Modifieringar

Modifiering av (delar av) produkten är inte tillåtet.

Installation

- Installationen av denna produkt är reserverad enbart för väl auktoriserade, utbildade och behöriga tekniker.
- Inspektera produkten och kontrollera den med avseende på skada. Bekräfta säkerhetsfunktionernas funktion.
- El-anslutning måste anslutas enligt lokala föreskrifter. Säkerställ att det överensstämmer med EMC föreskrifter.
- Under installationen, använd alltid personlig skyddsutrustning (PSU) för att undvika skador. Detta gäller även för personer som beträder arbetsområdet under installationen.
- Installera aldrig produkten framför entréer och utgångar som måste användas vid nödsituationer.
- Observera eventuella gas-, vatten- och elledningar.
- Se till att verkstaden i närheten av produkten, innehåller tillräckligt antal godkända brandsläckare.

Användning

	VARNING Brandrisk! Produkten får aldrig användas för: <ul style="list-style-type: none">- utsugning av antändliga, glödande eller brinnande partiklar eller fasta eller flytande substanser- utsugning av frätande ångor (t.ex. saltsyra) eller skarpa partiklar- uppsugning av cigaretter, cigarrer, oljedukar och andra brinnande partiklar, föremål eller syror
	VARNING! Produkten får aldrig användas för: <ul style="list-style-type: none">- aluminiumlaserskärning- färgdimmor- utsug av heta gaser (mer än 80°C kontinuerligt)- slipning av aluminium och magnesium- termisk sprutning- utsug av cement-, såg-, trästoft m.m.- suga upp cigaretter, cigarrer, oljiga trasor eller brinnande partiklar, föremål och syror- explosiva miljöer eller explosiva ämnen/gaser <i>Obs: denna lista täcker inte alla möjligheter.</i>

- Kontrollera arbetsmiljön. Låt inte obehöriga personer beträda arbetsområdet.
- Skydda produkten mot vatten och fukt.
- Se till att rummet alltid är ordentligt ventilerat; detta gäller särskilt för trånga utrymmen.
- Systemet får inte användas av barn eller personer med nedsatta fysiska, sensoriska eller mentala förmågor, eller brist på erfarenhet och kunskap, såvida de inte står under övervakning eller har fått instruktioner.

Service, underhåll och reparationer

- Under service, underhåll och reparationsjobb, använd alltid personlig skyddsutrustning (PSU) för att undvika skador. Detta gäller även för personer som beträder arbetsplatsen under pågående installation.
- Använd alltid verktyg, material, smörjmedel och servicetekniker som har godkänts av tillverkaren. Använd aldrig slitna verktyg och lämna inte verktyg i eller på produkten.
- Säkerhetsanordningar som har avlägsnats för service, underhåll eller reparationer, måste sättas tillbaka omedelbart efter att dessa jobb slutförts och det måste kontrolleras att de fortfarande fungerar ordentligt.

4 INSTALLATION

4.1 Uppackning

Kontrollera att produkten är komplett. Paketet skall innehålla:

- utsugsfläkt

Tillval och tillbehör

Fläktens MB-FUA/S1-2-sats ska omfatta:

- monteringsfästesstativ
- kopplingsfläns med galler (endast S1)
- rörklämmor (4)
- monteringsmaterial

Fläktens MB-FUA/C1-2-sats ska omfatta:

- monteringsfästeskran
- kopplingsfläns (endast C1)
- monteringsmaterial

Fläktens OL (utloppsövergång) ska omfatta:

- övergång från fyrkantigt till runt utlopp

Fläktens SC (mjuk anslutning) ska omfatta:

- mjuk anslutning med 2 slangklämmor

Om delar saknas eller är skadade, kontakta leverantören.

4.2 Installation

4.2.1 Verktyg och krav

Följande verktyg och förhållanden är nödvändiga för att installera systemet:

- skruvnyckel 10
- skruvnyckel 13
- skruvnyckel 17
- skruvdragare

4.2.2 Montering av fläkten på en MB-FUA-S1/S2

För fristående bruk eller montering mot väggen, i taket eller på en plattform. Motorn kan monteras vilande på stativet. Motorn hos en FUA-1300/1800/2100 kan även monteras upp och ned (hängande från stativet, visas ej).

Gör så här för att montera fläkten på en MB-FUA-S1/S2:

Fig. 4.1

- Montera stativet på en önskad plats.
- Montera eventuellt rörklämmor (B) efter behov.
- Fäst rörklämmorna med lämpat monteringsmaterial (medföljer ej; materialet varierar med väggens, golvet eller takets typ).
- Placera fläkten i önskat läge på stativet.
- Dra åt skruvarna (A).

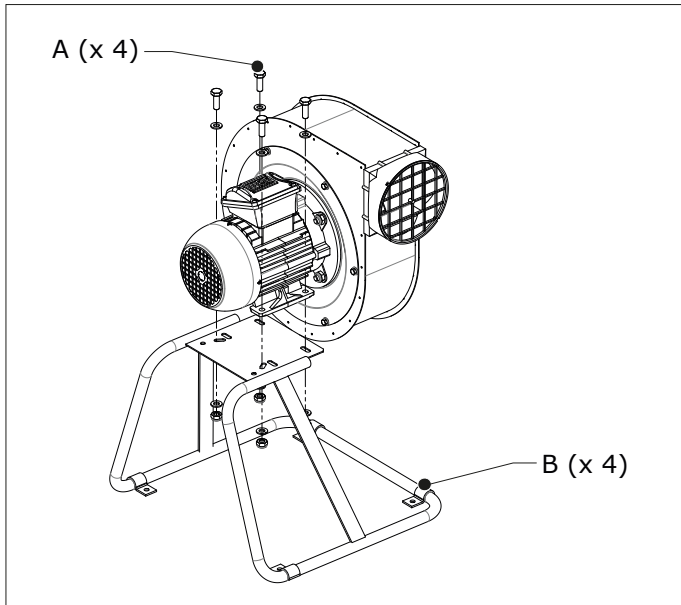


Fig. 4.1 Montering av fläkten på en MB-FUA-S1/S2

4.2.3 Montering av fläkten på en MB-FUA-C1/C2

För bruk med en utsugningsenhet (UK eller FlexMax) eller ett system för utsugning av fordonsavgaser.

Gör så här för att montera fläkten på en MB-FUA-S1/S2:

Fig. 4.2

- Använd monteringshålen (A) och lämpat monteringsmaterial (medföljer ej, beror på väggens typ) till att montera fästet mot väggen.
- Placera fläkten på fästet.
- Dra åt skruvarna (B).

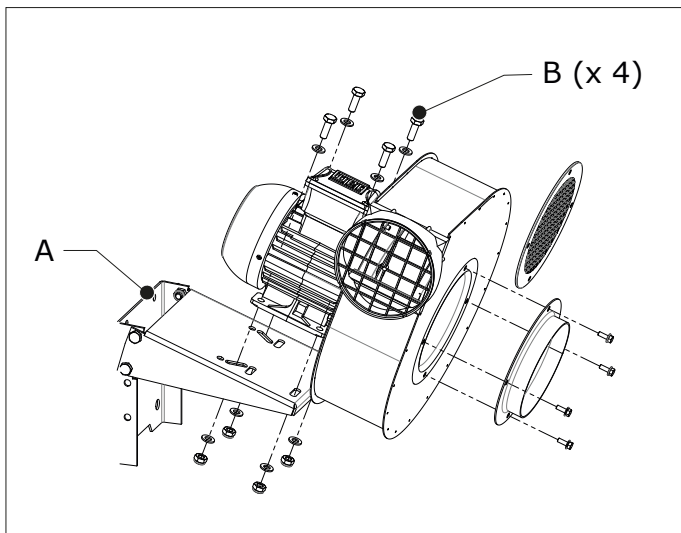


Fig. 4.2 Montering av fläkten på en MB-FUA-C1/C2

4.2.4 Ändra utloppets riktning

Fläktens utlopp kan placeras i olika riktningar (se Fig. 4.3).

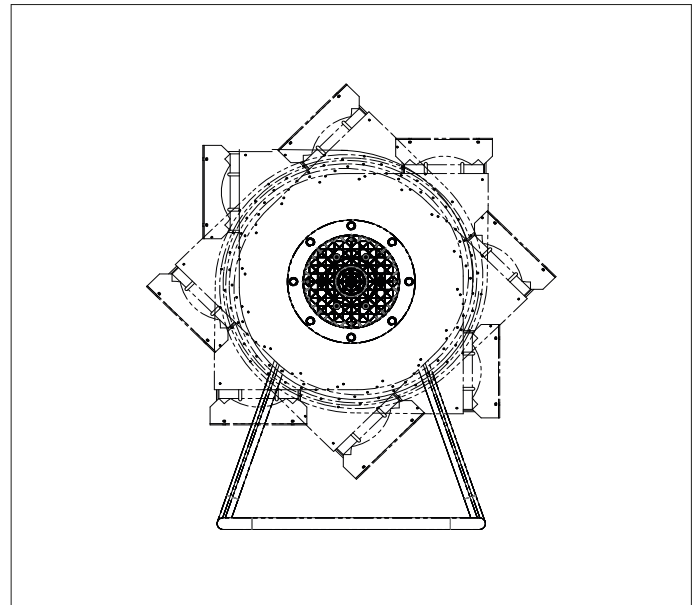


Fig. 4.3 Variabel utloppsposition

Gör så här för att ändra fläktens utloppsriktning:

Fig. 4.4

- Fastställ utloppets önskade riktningen.
- Lösgör vid behov motorplattan genom att lossa skruvarna (A).
- Vrid motorn i önskad riktning.
- Dra åt motorplattans skruvar.

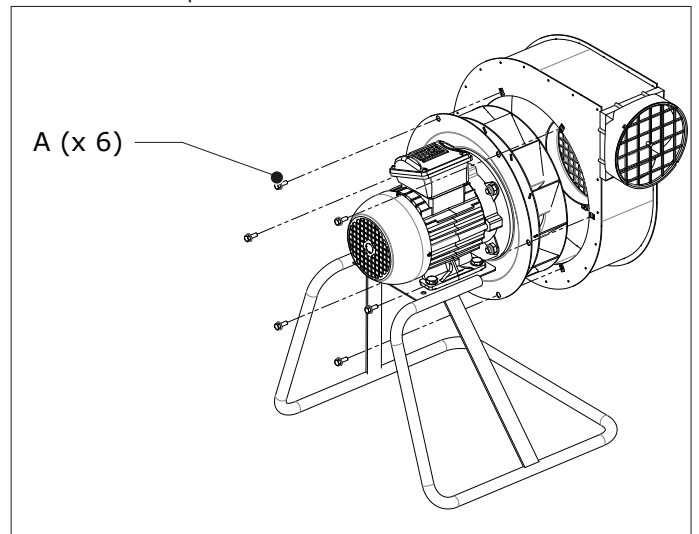


Fig. 4.4 Ändra utloppets riktning

4.2.5 Montering av fläkten direkt på en arm

En FUA-1300/1800/2100 kan användas på en utsugningsarm av typen KUA or LM-2 . I så fall krävs ingen vidare fäste. Det erfordrade monteringsmaterialet medföljer armen.

Gör så här för att montera fläkten direkt på en arm:

Fig. 4.5

- Lossa skruvarna som håller inloppets galler (A).
- Avlägsna inloppets galler.
- Placera fläkten på fästet.
- Dra åt skruvarna (B).

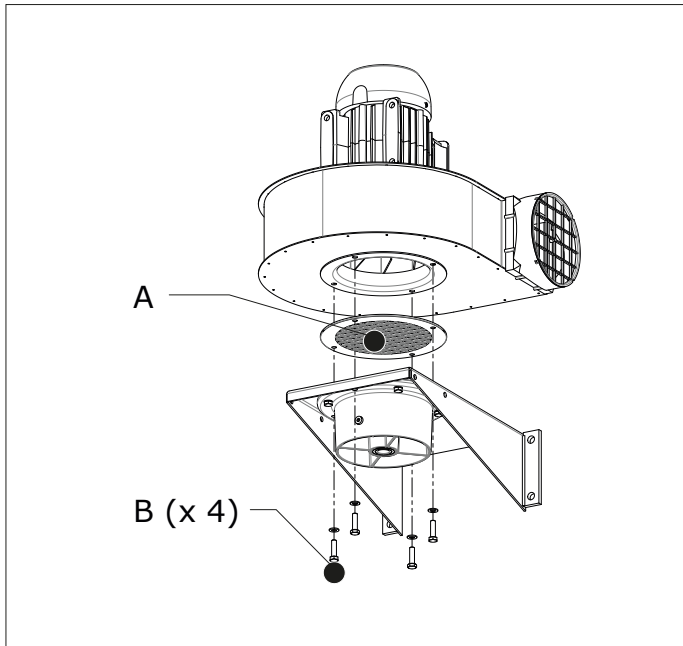


Fig. 4.5 Montering av fläkten direkt på en arm

4.2.6 Anslutning av fläktens inlopp till en slang (FUA-1300/1800/2100)

Vi rekommenderar bruk av en mjuk anslutning till inloppet för att reducera fläktens buller och vibrationer.

Gör så här för att ansluta fläktens inlopp till en slang:

Fig. 4.6

- Lossa skruvarna som håller inloppets galler (A).
- Avlägsna inloppets galler.
- Montera kopplingsflänsen (B) med inloppsgallrets skruvar.
- Dra åt skruvarna.
- Fäst den mjuka anslutningen vid kopplingsflänsen.
- Dra åt slangklämman (C).
- Koppla den mjuka anslutningen till slangen.
- Dra åt slangklämman (D).

4.2.7 Anslutning av fläktens utlopp till en kanal (FUA-1300/1800/2100)



OBSERVERA!

Om fläkten inte placeras direkt bredvid filtersystemet, är det viktigt att förbindelsekanalen har ordentligt stöd

Vi rekommenderar bruk av en mjuk anslutning till utloppet för att reducera fläktens buller och vibrationer och undvika att kanalen skadas.

Gör så här för att ansluta fläktens utlopp till en kanal:

Fig. 4.6

- Fäst den mjuka anslutningen vid fläktens utlopp.
- Dra åt slangklämman (E).
- Koppla den mjuka anslutningen till kanalen.
- Dra åt slangklämman (F).

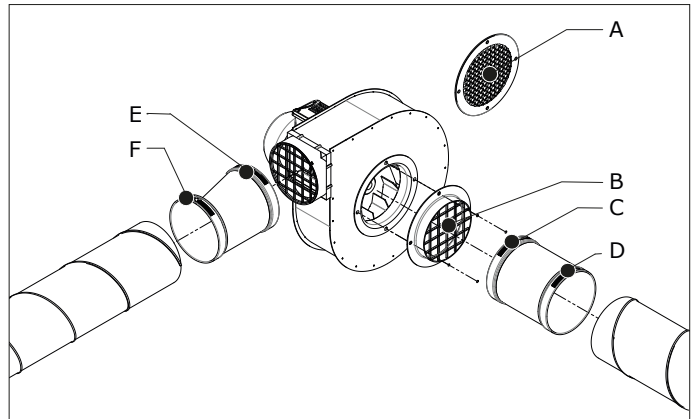


Fig. 4.6 Anslutning av fläkten till en kanal eller slang (FUA-1300/1800/2100)

4.2.8 Anslutning av fläktens inlopp till en slang (FUA-3000/4700)

Vi rekommenderar bruk av en mjuk anslutning till inloppet för att reducera fläktens buller och vibrationer.

Gör så här för att ansluta fläktens inlopp till en slang:

Fig. 4.7

- Fäst den mjuka anslutningen vid kopplingsflänsen.
- Dra åt slangklämman (B).
- Koppla den mjuka anslutningen till slangen.
- Dra åt slangklämman (C).

4.2.9 Anslutning av fläktens utlopp till en kanal (FUA-3000/4700)



OBSERVERA!

Om fläkten inte placeras direkt bredvid filtersystemet, är det viktigt att förbindelsekanalen har ordentligt stöd

Vi rekommenderar bruk av en mjuk anslutning till utloppet för att reducera fläktens buller och vibrationer och undvika att kanalen skadas. Vidare rekommenderar vi bruk av en utloppsövergång (fyrkantig till rund).

Gör så här för att ansluta fläktens utlopp till en kanal:

Fig. 4.7

- Lossa skruvarna som håller utloppets galler (A).
- Avlägsna utloppets galler.
- Fäst utloppsövergången vid fläktens utlopp med gallrets skruvar (D).
- Dra åt skruvarna.
- Fäst den mjuka anslutningen vid utloppets övergång.
- Dra åt slangklämman (E).
- Koppla den mjuka anslutningen till kanalen.
- Dra åt slangklämman (F).

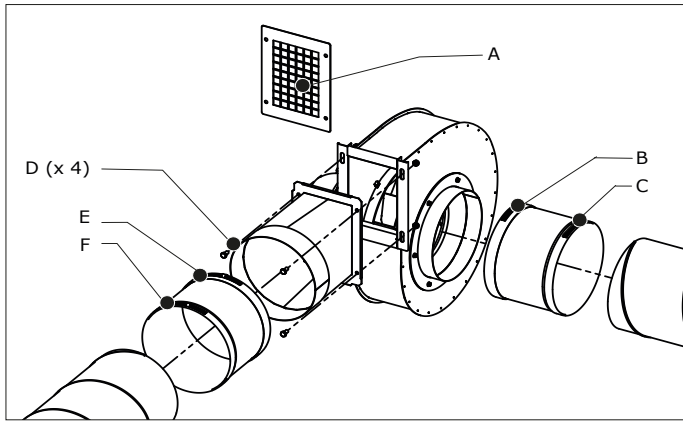


Fig. 4.7 Anslutning av fläkten till en kanal eller slang (FUA-3000/4700)

4.3 Elektrisk anslutning



OBSERVERA!

EI-anslutning måste anslutas enligt lokala föreskrifter. Säkerställ att det överensstämmer med EMC föreskrifter.



VARNING!

Kontrollera att fläkten är lämpad för koppling till det lokala elnätet. Information om anslutningsspänning och frekvens kan återfinnas på typskylten. Alla kablar måste anslutas enligt lokala regler och bestämmelser, vilket endast får utföras av en befogad, kvalificerad tekniker.

Standardinställningen är 400V. Om en annan spänning används ska kabeldragningen anpassas enligt anvisningarna på typskylten.

Gör så här för att ansluta startanordningen:

- Koppla fläkten till den valda startanordningen enligt informationen på motorns typskylt.
- Koppla startanordningen till elnätet enligt det separat bifogade elschemat.
- Kontrollera motorns vridriktning. För detta ändamål är fläkten försedd med en pil som anger den korrekta vridriktningen. Genom motorns galler kan du se i vilken riktning den roterar.
- Växla vid behöv om fasernas anslutning.

5 ANVÄNDNING

Se dokumentet som medföljer den valda kontrollenheten för anvisningar om fläktens kontroll.

6 UNDERHÅLL

Fläktarna kräver inget särskilt underhåll.

7 FELSÖKNING

Om produkten inte fungerar (väl) kan du gå igenom nedanstående checklista för att se om du kan lösa problemet själv. Kontakta din leverantör om detta inte lyckas.



VARNING!

Stäng alltid **av** maskinen och koppla lös den från elnätet innan du utför nedanstående verksamheter. Läs först underhållsanvisningarna i början av denna manual.

Symptom	Problem	Möjlig orsak	Lösning
Motorn startar inte.	Maskinen fungerar inte.	Ingen nätspänning.	Kontrollera nätspänningen.
		Nätkabeln defekt.	Reparera eller byt ut nätkabeln.
		Lösa kontakter.	Reparera kontakterna.
		Motorns skyddsbrytare defekt.	Byt ut motorns skyddsbrytare.
Motorn avger ett surrande ljud, men löper inte.	Maskinen fungerar inte.	Motorn använder 2 faser i stället för 3 (endast trefasmotor).	Reparera fasanslutningen.
		Motorns kondensator defekt/ej ansluten (endast enkelfasmotor).	Reparera eller byt ut motorns kondensator.
Motorn stannar automatiskt.	Maskinen fungerar inte.	Motorns skyddsbrytare aktiverad.	Låt maskinen svalna en stund. Kontrollera inställningen av motorns skyddsbrytare (MPS) enligt elschemat.
		Motorn defekt.	Reparera eller byt ut motorn.
Dålig sugeffekt.	Maskinen fungerar inte ordentligt.	Motorn roterar i omvänd riktning (endast trefasmotor).	Ändra rotationsriktningen.
		Motorn defekt.	Reparera eller byt ut motorn.
		Utsugningsfläkten nedsmutsad.	Rengör utsugningsfläkten.
		Utomhusluft sugts ut.	Syna eller byt ut tätningmaterialet.
Vibrationer i maskinen.	Maskinen ej stadig.	Utsugningsfläkten ur balans.	Rengör utsugningsfläkten.

8 RESERVDELAR

Följande reservdelar finns tillgängliga för produkten. Se sprängteckningarna på sid. 47:

- Fig. III for the FUA-1300/1800/2100;
- Fig. IV for the FUA-3000/4700.

Artikelnr.	Beskrivning
FUA-1300	
0000100580	Fläkthjul FUA-1300
0000100585	Inloppfläns FUA-1300/1800
0000100588	Utloppsgaller FUA-1300/1800/2100
0000100589	Motor FUA-1300; 230-400V/3ph/50Hz
0000100590	Motor FUA-1300; 230V/1ph/50Hz
0000100597	Inloppsgaller (fint) FUA-1300/1800/2100
0000100995	Kopplingsfläns med galler FUA-1300/1800/2100
FUA-1800	
0000100581	Fläkthjul FUA-1800
0000100585	Inloppfläns FUA-1300/1800
0000100588	Utloppsgaller FUA-1300/1800/2100
0000100591	Motor FUA-1800; 230-400V/3ph/50H
0000100597	Inloppsgaller (fint) FUA-1300/1800/2100
0000100995	Kopplingsfläns med galler FUA-1300/1800/2100
FUA-2100	
0000100582	Fläkthjul FUA-2100
0000100586	Inloppfläns FUA-2100
0000100588	Utloppsgaller FUA-1300/1800/2100
0000100592	Motor FUA-2100; 230-400V/3ph/50Hz
0000100593	Motor FUA-2100; 230V/1ph/50Hz
0000100597	Inloppsgaller (fint) FUA-1300/1800/2100
0000100995	Kopplingsfläns med galler FUA-1300/1800/2100
FUA-3000	
0000100583	Fläkthjul FUA-3000
0000100594	Motor FUA-3000; 230-400V/3ph/50Hz
FUA-4700	
0000100584	Fläkthjul FUA-4700
0000100595	Motor FUA-4700; 230-400V/3ph/50Hz

9 ELSHEMA

Se det separat tillhandahållna kopplingsdiagrammet.

10 OMHÄNDERTAGANDE

Efter att produkten tjänat ut, omhänderta den i enlighet med nationella eller lokala bestämmelser.

CE-FÖRSÄKRAN OM ÖVERENSSTÄMMELSE

Försäkran om överensstämmelse för maskiner

Vi, Plymovent Manufacturing B.V., Wezelkoog 11, 1822 BL Alkmaar, Nederländerna, intygar härmed, på eget ansvar, att produkten(-erna):

- FUA-1800
- FUA-2100
- FUA-3000
- FUA-4700

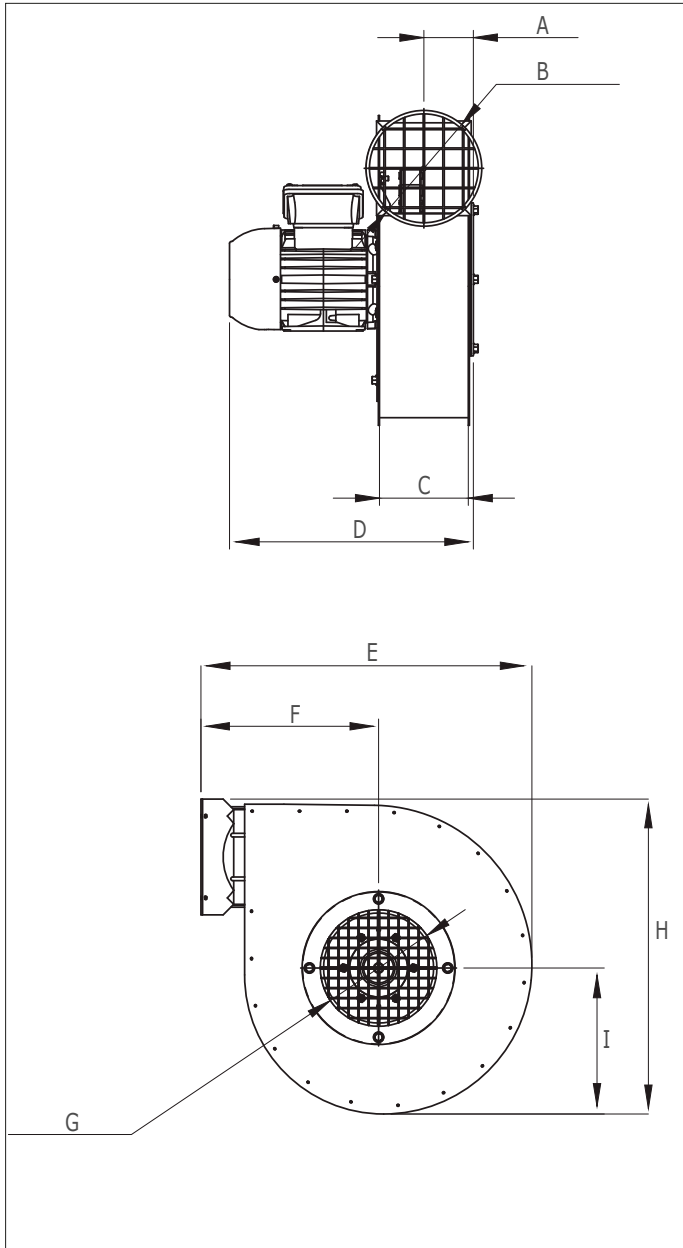
vilket denna deklaration syftar på, är i enlighet med villkoren i följande direktiv:

- Maskindirektivet 2006/42 EC
- EMC 2004/108 EC
- LVD 2006/95/EC
- ErP-direktivet 2009/125/EC

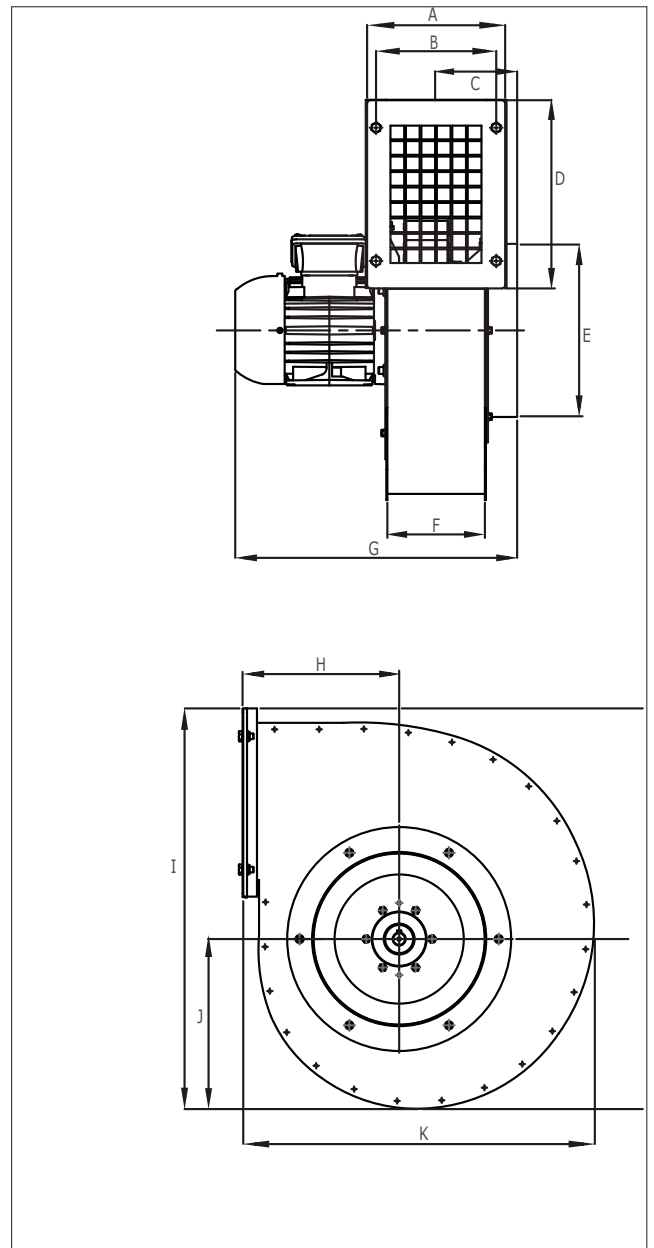
Alkmaar, Nederländerna, 1 december 2012

Ir. F. Coehoorn
Vice President Research & Development

En installation definieras som en kombination av flera färdiga produkter eller komponenter som monteras ihop av en installatör på en given plats. De olika delarna av installationen är avsedda att fungera tillsammans i en särskild omgivning och att utföra en specifik uppgift. Hela installationen måste uppfylla relevanta direktiv och standarder. Monteringsinstruktionerna som anges av tillverkaren, liksom hela metoden i installationen, måste vara i enlighet med lämplig teknisk praxis i installations-sammanhang, liksom med installationsregler. Givet det ovanstående, är installatören ansvarig för att genomföra installationen och utfärda slutlig CE-deklaration om överensstämmelse.



FUA-1300/1800/2100



FUA-3000/4700

Fig. I

	FUA-1300/1800	FUA-2100
A	68 mm (2.7 in.)	68 mm (2.7 in.)
B	Ø 159 mm (6.3 in.)	Ø 159 mm (6.3 in.)
C	122 mm (4.8 in.)	122 mm (4.8 in.)
D	330 mm (12.9 in.)	353 mm (13.9 in.)
E	455 mm (17.9 in.)	455 mm (17.9 in.)
F	244 mm (9.6 in.)	244 mm (9.6 in.)
G	Ø 160 mm (6.3 in.)	Ø 160 mm (6.3 in.)
H	433 mm (17 in.)	433 mm (17 in.)
I	201 mm (7.9 in.)	201 mm (7.9 in.)
L		
1	Ø 300 mm (11.8 in.)	Ø 300 mm (11.8 in.)
2	20 mm (0.8 in.)/ 25 mm (1.0 in.)	60 mm (2.4 in.)

	FUA-3000	FUA-4700
A	201 mm (7.9 in.)	205 mm (8.1 in.)
B	175 mm (6.9 in.)	175 mm (6.9 in.)
C	118 mm (4.6 in.)	117 mm (4.6 in.)
D	274 mm (10.8 in.)	348 mm (13.7 in.)
E	Ø 250 mm (9.8 in.)	Ø 245 mm (9.6 in.)
F	142 mm (5.6 in.)	142 mm (5.6 in.)
G	410 mm (16.1 in.)	480 mm (18.9 in.)
H	228 mm (9 in.)	258 mm (10.6 in.)
I	583 mm (23 in.)	733 mm (28.9 in.)
J	247 mm (9.7 in.)	297 mm (11.7 in.)
K	512 mm (20.2 in.)	591 mm (23.3 in.)
L		
1	Ø 320 mm (12.6 in.)	Ø 380 mm (15 in.)
2	60 mm (2.4 in.)	45 mm (1.8 in.)

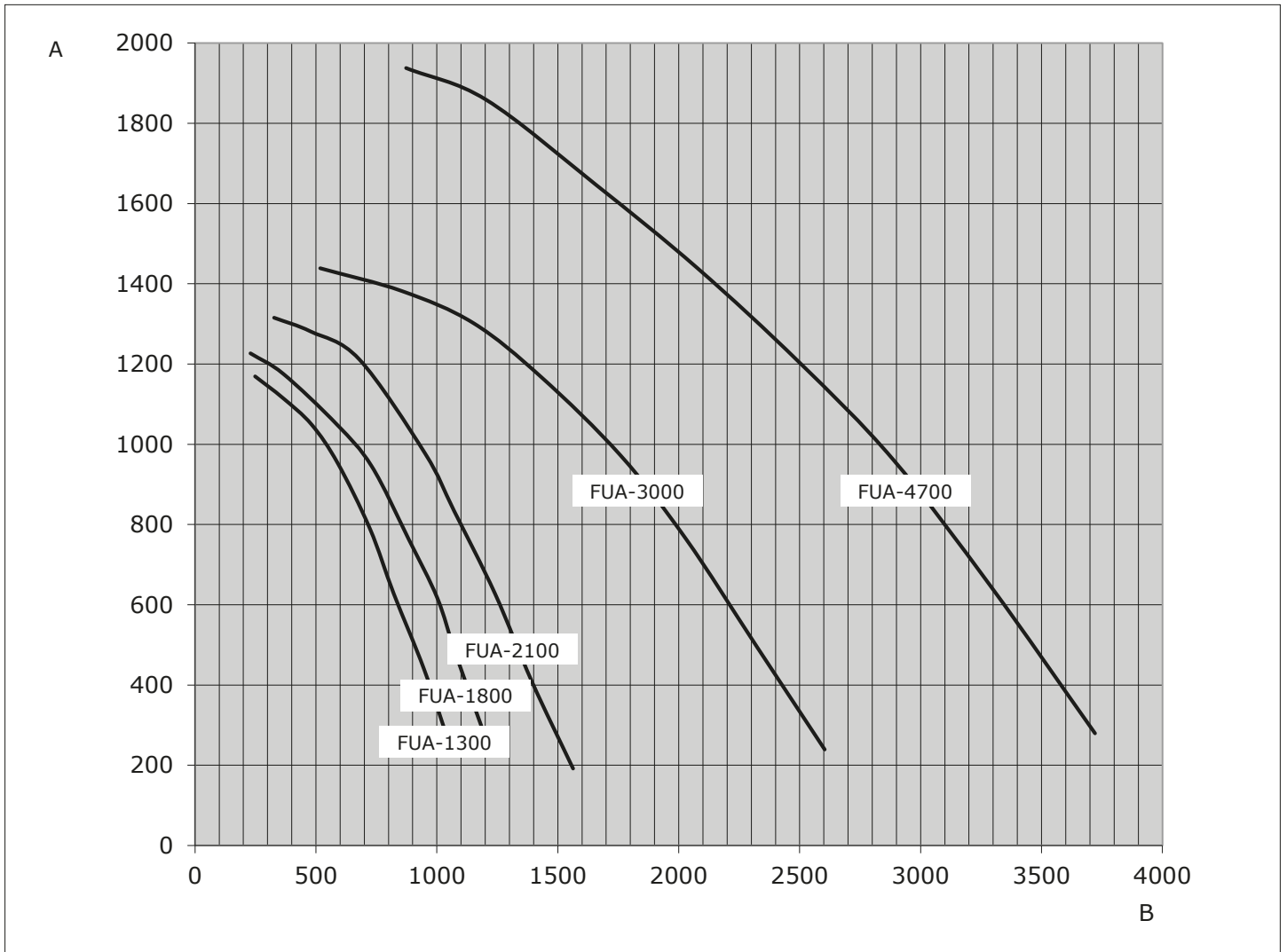


Fig. II

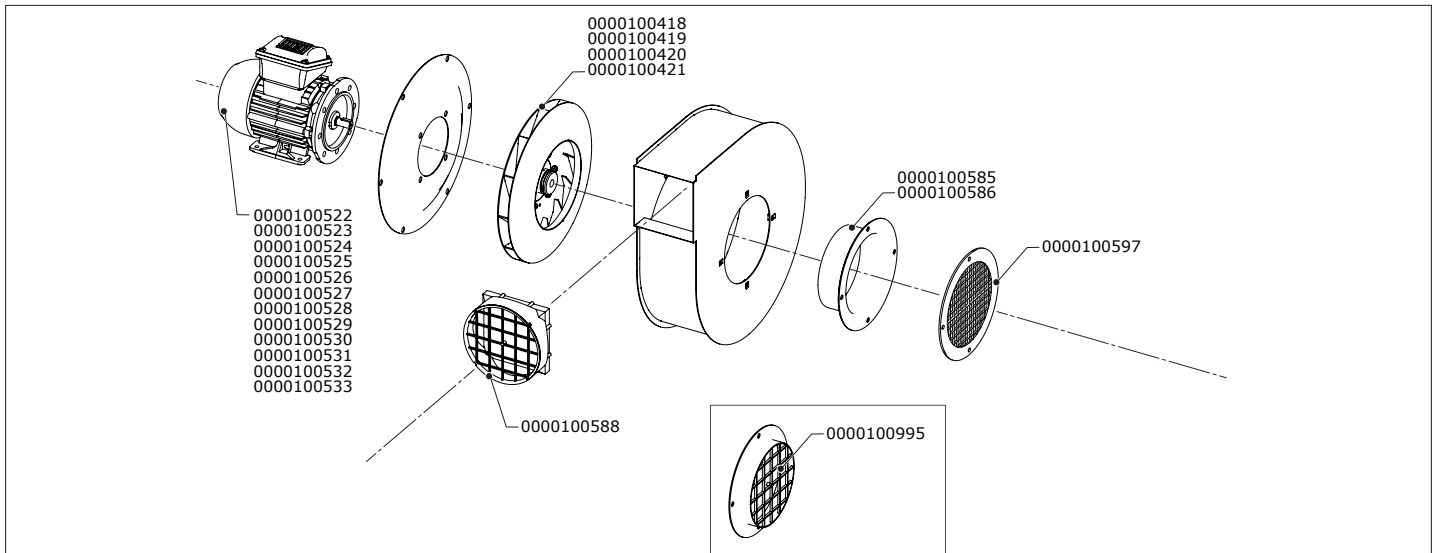


Fig. III

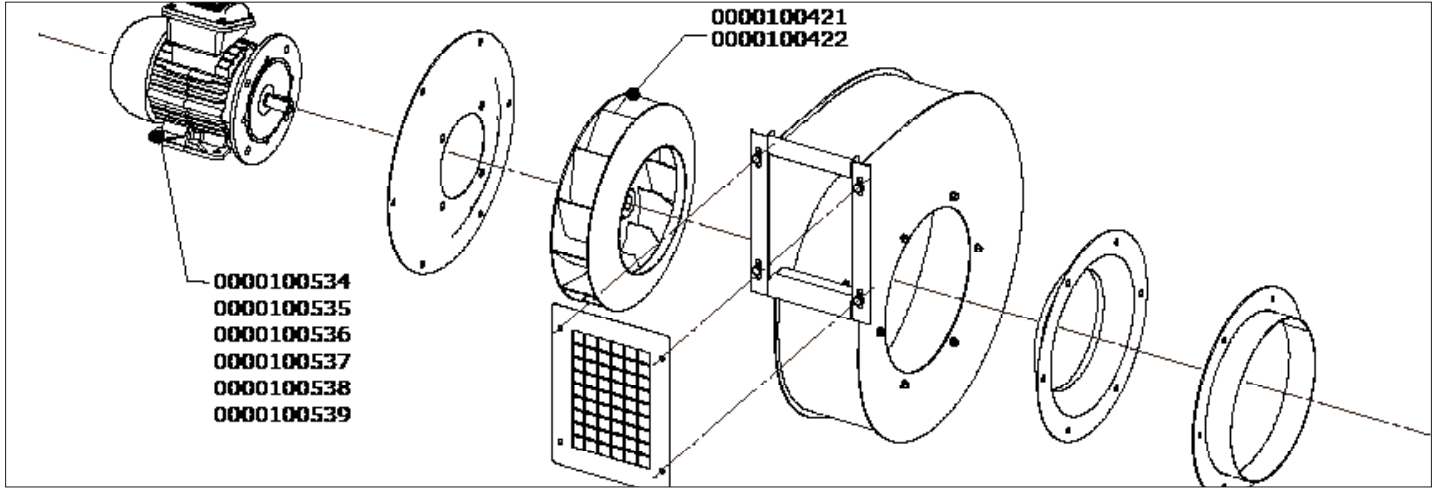


Fig. IV

PLYMOVENT[®]
clean air at work



0000100435/010812/0 FUA-1300/1800/2100/3000/4700

www.plymovent.com