

POWER WAVE S350 CE & S500 CE

Spare Parts	1
POWER WAVE® S350 CE	1
Figure A: Case Front Assembly	2
Figure B: Base & Power Conversion Assembly	2
Figure C: Divider Panel Assembly	2
Figure D: Output Choke Assembly	3
Figure E: Case Back Assembly	3
Figure E: Roof Assembly	4
Spare Parts	5
POWER WAVE® S500 CE	5
Miscellaneous Items (not illustrated) (P-705-B.2)	5
Figure G: Case Front Assembly (P-705-C)	6
Figure H: Base & Power Conversion Assembly (P-705-D)	7
Figure I: Case Back Assembly (P-705-E)	7
Figure J: Roof Assembly (P-705-F)	8
Electrical Schematic	9

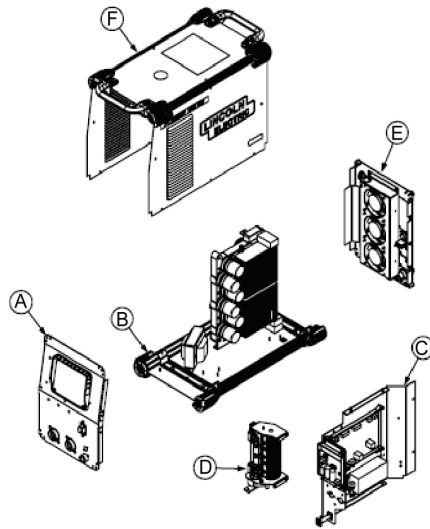


Spare Parts

SP11625 REV01
12/05

POWER WAVE® S350 CE

ASSEMBLY PAGE NAME			Case Front Assembly	Base & Power Conversion Assembly	Divider Panel Assembly	Output Choke Assembly	Case Back Assembly	Roof Assembly
CODE NO.:	K NO.:	FIGURE NO.:	A	B	C	D	E	F
11625	K2823-2	POWER WAVE® S350 CE	1	1	1	1	1	1



Item	Description	Part Number	QTY	1	2	3	4	5	6	7
M15479	Twist Mate Cable Plug		2	X						
G6094	Wiring Harness (Primary)		1	X						
S24992-7	Input Power Cord		1	X						
S28365	Cooler Jumper Harness		1	X						
M19969-2	Ethernet Patch Cable		1	X						

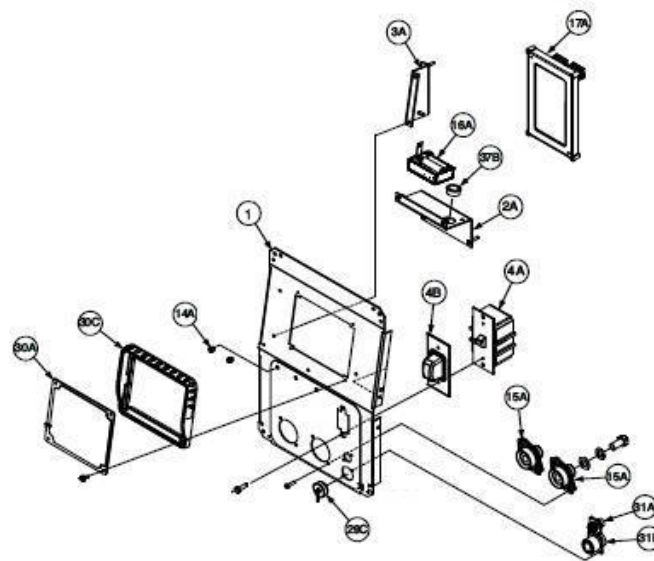


Figure A: Case Front Assembly

Item	Description	Part Number	QTY	1	2	3	4	5	6	7
	Case Front Assembly (G6519-1)									
1	Case Front	G6513-1	1	X						
2A	P.C. Board Mounting Bracket	L13263-1	1	X						
3A	P.C. Board Mounting Bracket	L13263-2								
4A	Line Switch	S20030	1	X						
4B	Switch Cover	S25384-1	1	X						
14A	LED Lens - Clear,	S23093-1	2	X						
15A	Output Stud	M13896-3	2	X						
16A	Snubber Assembly	M20305-1	1	X						
17A	Control P.C. Board Assembly	G5915-[]	1	X						
30A	Cover Plate	L15069	1	X						
30C	UI Trim	G6529	1	X						
31	Secondary Harness	G6792	1	X						
31A	Sq. Flange Female Receptacle	S18657	1	X						
31B	5 Pin Connector	S12021-73	1	X						

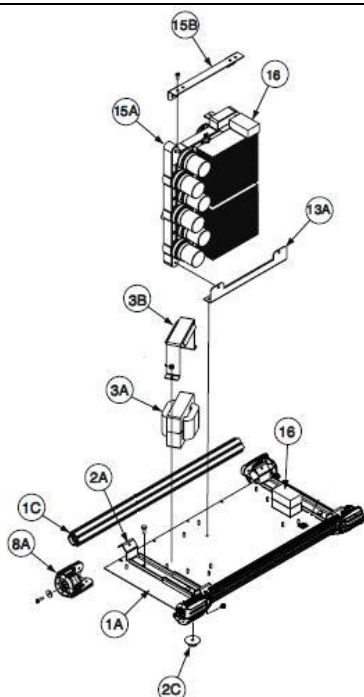


Figure B

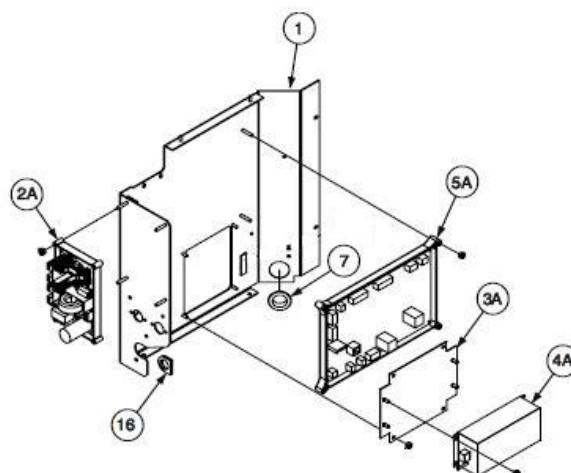


Figure C

Figure B: Base & Power Conversion Assembly

Item	Description	Part Number	QTY	1	2	3	4	5	6	7
1	Base Assembly, (G6520-1)	NSS	1	X						
1A	Base	L15067-1	1	X						
1C	Base Extrusion	M21251-2	2	X						
2A	Attachment Kit Bracket	L15091	2	X						
2C	Mounting Foot	S28070	4	X						
3A	Input Choke	M22462	1	X						
3B	Choke Mounting Bracket	M22464	1	X						
8A	Corner Cap	L13138	2	X						
13A	Power Board Bracket	M21469-3	1	X						
15A	Power Conversion Assembly	G6037-2	1	X						
15B	Upper Power Board Bracket	M21469-2	1	X						
16	Foam	M15045-100	3	X						

Figure C: Divider Panel Assembly

Item	Description	Part Number	QTY	1	2	3	4	5	6	7
	Divider Panel Assembly (G6589-1)	NSS	1	X						
1	Vertical Divider Panel	G6511	1	X						
2A	Vertical Divider Panel	XL15732-[]	1	X						

3A	Cover Plate	M22245	1	X							
4A	CE Filter	M18185-12	1	X							
5A	Control PC Board	S28289-[]	1	X							
7	Bushing	T12380-8	1	X							
8	Suppressor Assembly (Not Shown)	S18858-11	1	X							
16	Cable Grommet	S18543-4	1	X							

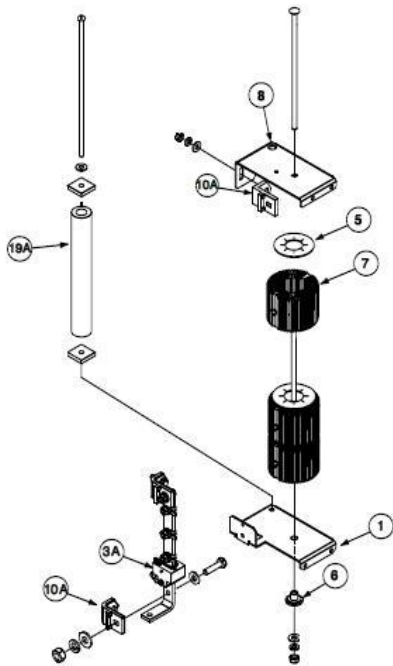


Figure D

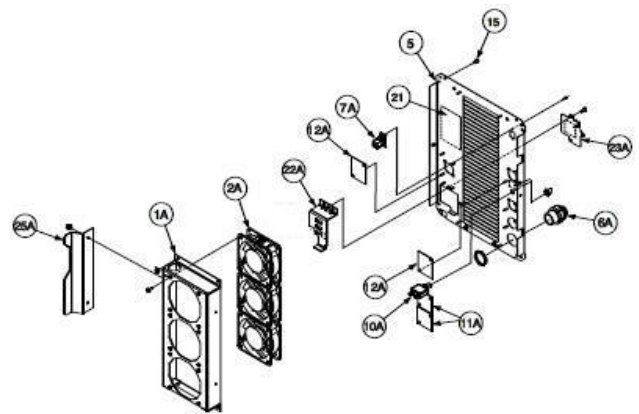


Figure E

Figure D: Output Choke Assembly

Item	Description	Part Number	QTY	1	2	3	4	5	6	7
	Output Choke Assembly	L13270-3	1	X						
1	Bottom Choke Bracket	M21472-3	1	X						
2	Bottom Choke Bracket	XS28371	2	X						
3A	Current Transducer	S18504-10	1	X						
5	Spacer Washer	S25781-2	6	X						
6	Spacer	T14605	1	X						
7	Output Choke	S26801-2	3	X						
8	Top Choke Bracket	M21471-3	1	X						
10A	Heatsink Holder	S22168	2	X						
11A	Bus Bar	M22372	1	X						
19A	Resistor	S10404-137	3	X						

Figure E: Case Back Assembly

Item	Description	Part Number	QTY	1	2	3	4	5	6	7
	Case Back Assembly (G6523-1)	NSS								
1A	Fan Bracket	L15066-1	1	X						
2A	Fan Assembly	M22149	3	X						
5	Rear Panel	G6510-1	1	X						
6A	Cord Grip Connector	S19999	1	X						
7A	Ethernet Connector	M19969-14	1	X						
8	Fan Harness (Not Shown)	L15109	1	X						
10A	Circuit Breaker	T12287-20	1	X						
11A	Cover Plate	S25438-3	2	X						
12A	Cover Plate	S25438-6	2	X						
22A	Cooler Connection Bracket	M22374	1	X						
23A	Cooler Connection Cover Plate	M22373	1	X						
23B	Jumper Plug (Not Shown)	S28365	1	X						
25A	Air Baffle	L15123	1	X						

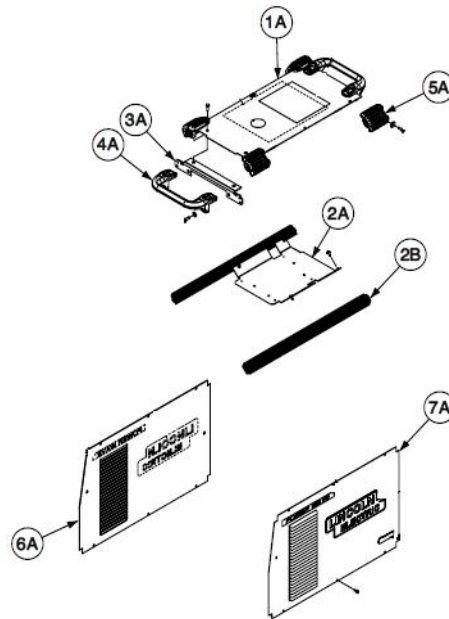


Figure F

Figure E: Roof Assembly

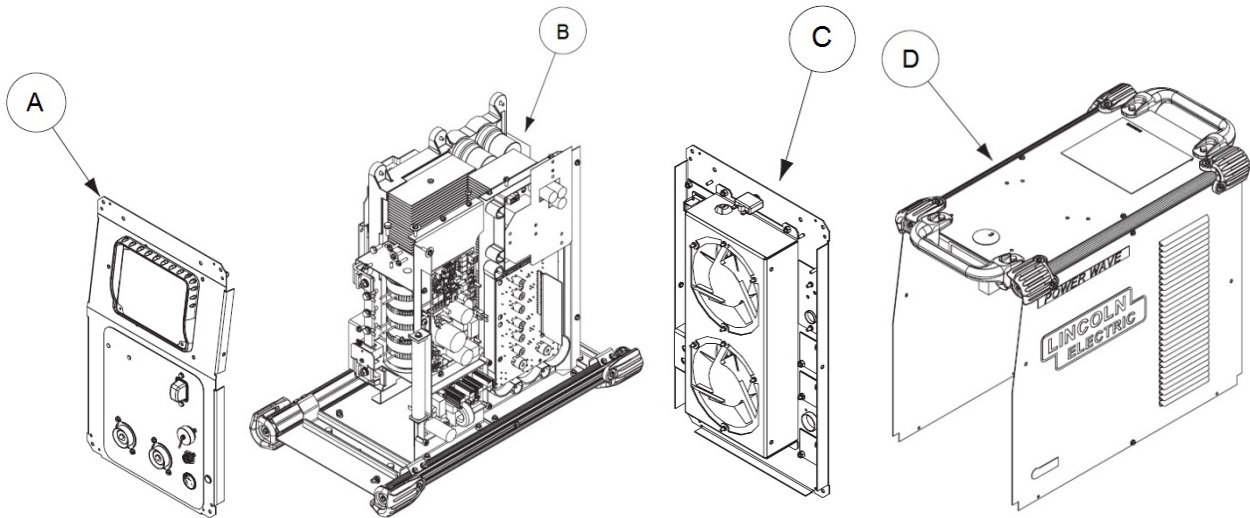
Item	Description	Part Number	QTY	1	2	3	4	5	6	7
1	Roof Assembly	M22129-3	1	X						
1A	Roof	L12763-1	1	X						
1E	Thread Forming Screw (Not Shown)	S9225-99	10	X						
2	Horizontal Divider Panel	M22375	1	X						
2A	Horizontal Divider Panel	L15068-2	1	X						
2B	Top Extrusion	M21251-1	2	X						
3A	Bracket	L15070	2	X						
4A	Handle	G6525-1	2	X						
5A	Corner Cap	L13138	4	X						
6	Left Case Side Assembly	M22191-1	1	X						
6A	Left Case Side	L13232-3	1	X						
7	Right Case Side Assembly	M22192-1	1	X						
7A	Right Case Side	L13232-2	1	X						

Spare Parts

SP11883 REV01
12/05

POWER WAVE® S500 CE

ASSEMBLY PAGE NAME			Miscellaneous Items (P-705-B.2)	Case Front Assembly (P-705-C)	Base & Power Conversion Assembly (P-705-D)	Case Back Assembly (P-705-E)	Roof Assembly (P-705-F)
CODE NO.:	K NO.:	FIGURE NO.:		G	H	I	J
11883	K3168-1	POWER WAVE® S500 CE	1	1	1	1	1



Miscellaneous Items (not illustrated) (P-705-B.2)

Item	Description	Part Number	QTY	1	2	3	4	5	6	7
	Wiring Harness (Primary)	G7141	1	X						
	Twist Mate Cable Plug	M15479	1	X						

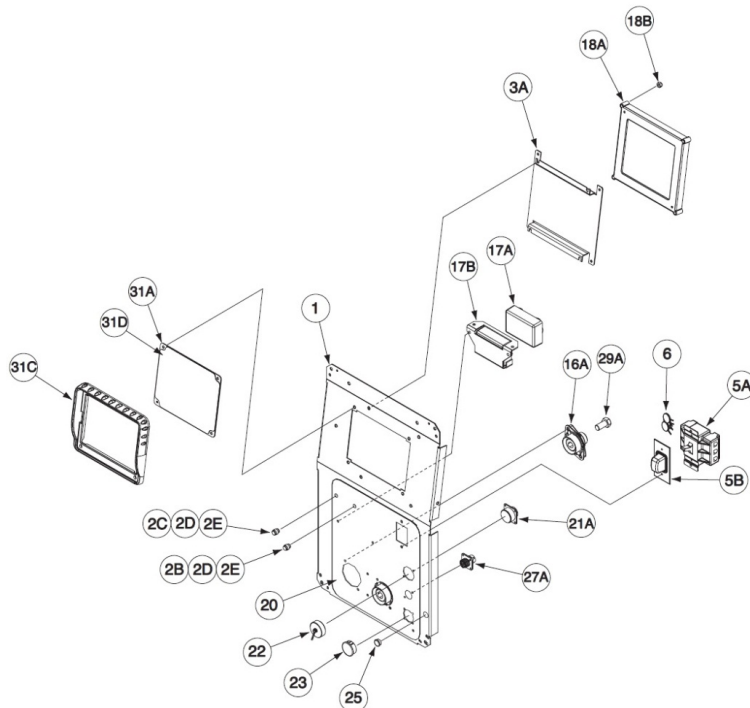


Figure G

Figure G: Case Front Assembly (P-705-C)

Item	Description	Part Number	QTY	1	2	3	4	5	6	7
	Case Front Assembly (G7162-1), Includes:	NSS	1	X						
1	Case Front	G5052-1	1	X						
2	LED Harness (Not Shown), Includes:	M22487-1	1	X						
2D	LED Lens - Clear, Includes:	S23093-1	2	X						
3A	P.C. Board Mounting Bracket	M22764	1	X						
5A	Line Switch	S20030-1	1	X						
5B	Switch Cover	S25384-1	1	X						
6	MOV Assembly	S18491-3	1	X						
8	Suppressor Assembly (Not Shown)	S18858-14	2	X						
16A	Output Stud	M13896-3	2	X						
17A	Snubber Assembly	M20305-1	1	X						
17B	Snubber Mounting Bracket	S28402-1	1	X						
18A	PFC Control P.C. Board Assembly	S28805-[]	1	X						
20	Nameplate (G7365-1) (Part of G7365)	NSS	1	X						
21	Plug & Lead Assembly (Arclink), Includes:	M22519	1	X						
21A	Connector (5 Socket)	S12021-73	1	X						
22	Connector Cap	S17062-10	1	X						
23	Plug Button	T10397-23	1	X						
25	Plug Button	T10397-3	1	X						
27	Control Harness (Secondary), Includes:	G7142	1	X						
31A	Cover Plate	L15069	1	X						
31C	UI Trim	G6529	1	X						

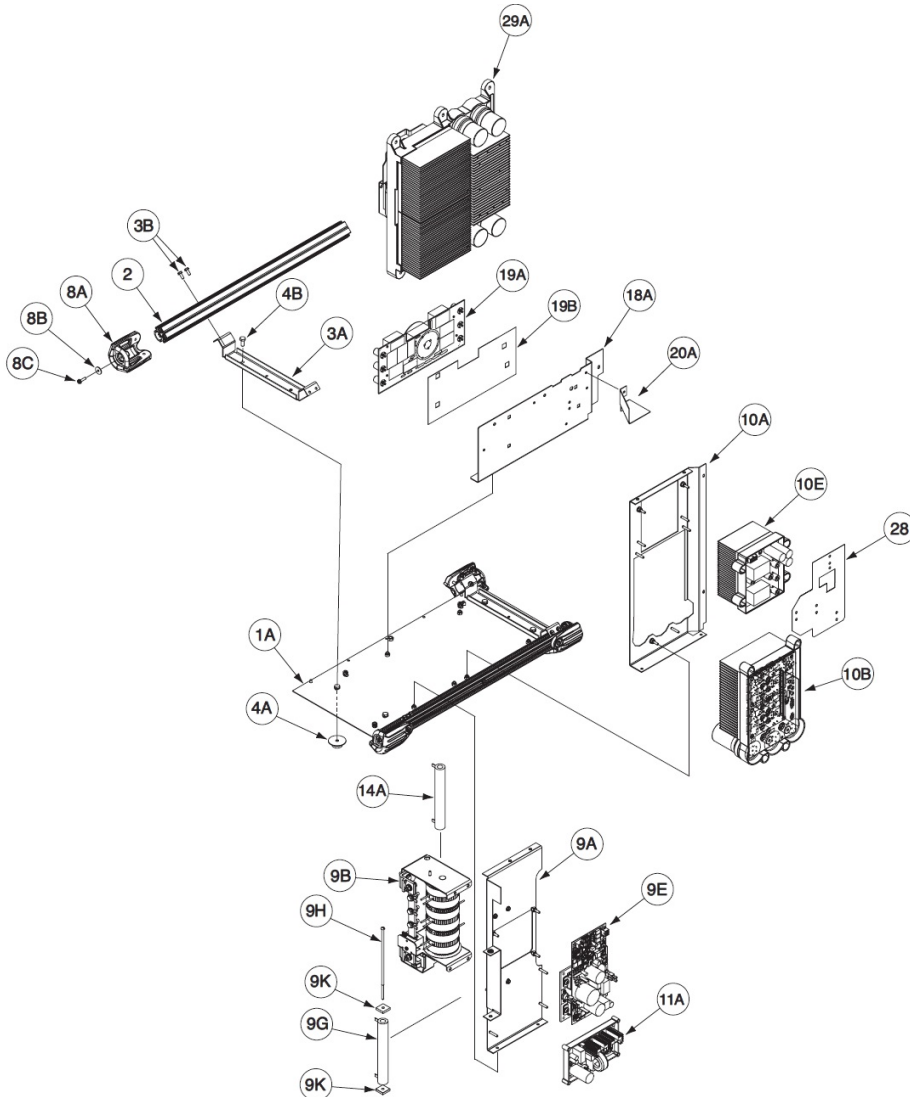


Figure H

Figure H: Base & Power Conversion Assembly (P-705-D)

Item	Description	Part Number	QTY	1	2	3	4	5	6	7
1	Base Assembly (G7164-1), Includes:	NSS	1	X						
1A	Base	L15254	1	X						
2	Base Extrusion	M21251-2	2	X						
3A	Attachment Kit Bracket	L15091	2	X						
4A	Mounting Foot	S28070	4	X						
8A	Corner Cap	L13138	4	X						
9	Front Divider Panel Assembly, Includes:	L16052-1	1	X						
9A	Front Divider Panel	G7151	1	X						
9B	Output Choke Assembly	L13270-4	1	X						
9E	115V Supply Board Assembly	G6571-[]	1	X						
9G	Resistor	S10404-137	4	X						
10	Rear Divider Panel Assembly, Includes:	L16053-1	1	X						
10A	Rear Divider Panel	G5053	1	X						
10B	Chopper & Heatsink Assembly	G7532	1	X						
10E	Input P.C. Board	M22489-[]	1	X						
11A	40 VDC Bus Board	L15732-[]	1	X						
14A	Resistor	S10404-127	1	X						
14B	Insulating Washer (Not Shown)	T4479-A	2	X						
18A	Input Cable Cover	L16032-1	1	X						
19A	CE Filter PC Board Assembly	L16084-[]	1	X						
19B	CE Filter Insulation	M24601	1	X						
19C	Plastic Expansion Nut (Not Shown)	S14020-5	4	X						
20A	Baffle	M22847	1	X						
28	Input Board Cover	M22908	1	X						
29A	Power Conversion Assembly	G7395	1	X						

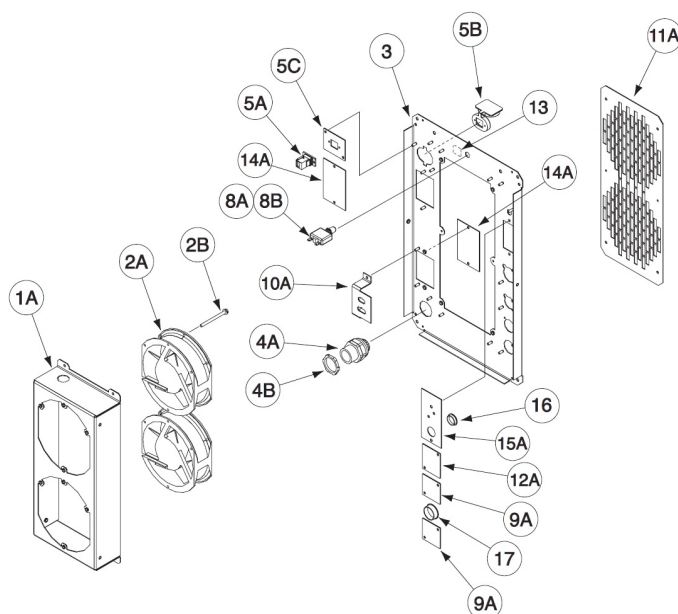


Figure I

Figure I: Case Back Assembly (P-705-E)

Item	Description	Part Number	QTY	1	2	3	4	5	6	7
	Case Back Assembly (G7163-1), Includes:	NSS	1	X						
1A	Fan Bracket	G7186	1	X						
2A	Fan Assembly	M22853	3	X						
2B	Machine Screw	CF000058	12	X						
3	Rear Panel	G5051-1	1	X						
4A	Cord Grip Connector	S19999	1	X						
4B	Conduit Lock Nut	T14370-3	1	X						
5A	Ethernet Connector	M19969-14	1	X						
5B	Ethernet Cover	M22444	1	X						
5C	Adapter Plate	S25438-7	1	X						

6	Fan Harness (Not Shown)	L15109-1	1	X																
8A	Circuit Breaker	T12287-20	2	X																
8B	Sealing Boot	S22061-3	2	X																
9A	Cover Plate	S25438-3	2	X																
10A	Cooler Connection Bracket	L15919-1	1	X																
11A	Brickwork Plate	L15108-2	1	X																
12A	Cover Plate	S25438-6	1	X																
13	Decal (CB) (G7365-4) (Part of G7365)	NSS	1	X																
14A	Cover Plate	S28546	2	X																
15A	Solenoid Mounting Plate	S28547-1	1	X																
16	Plug Button	T10397-4	1	X																
17	Plug Button	T10397-20	1	X																
30A	Suppressor Assembly (Not Shown)	S18858-18	2	X																

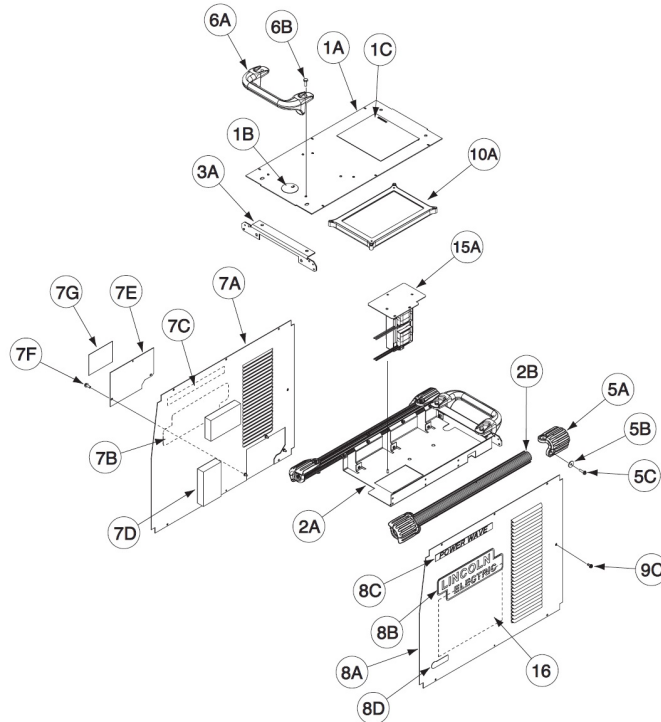


Figure J

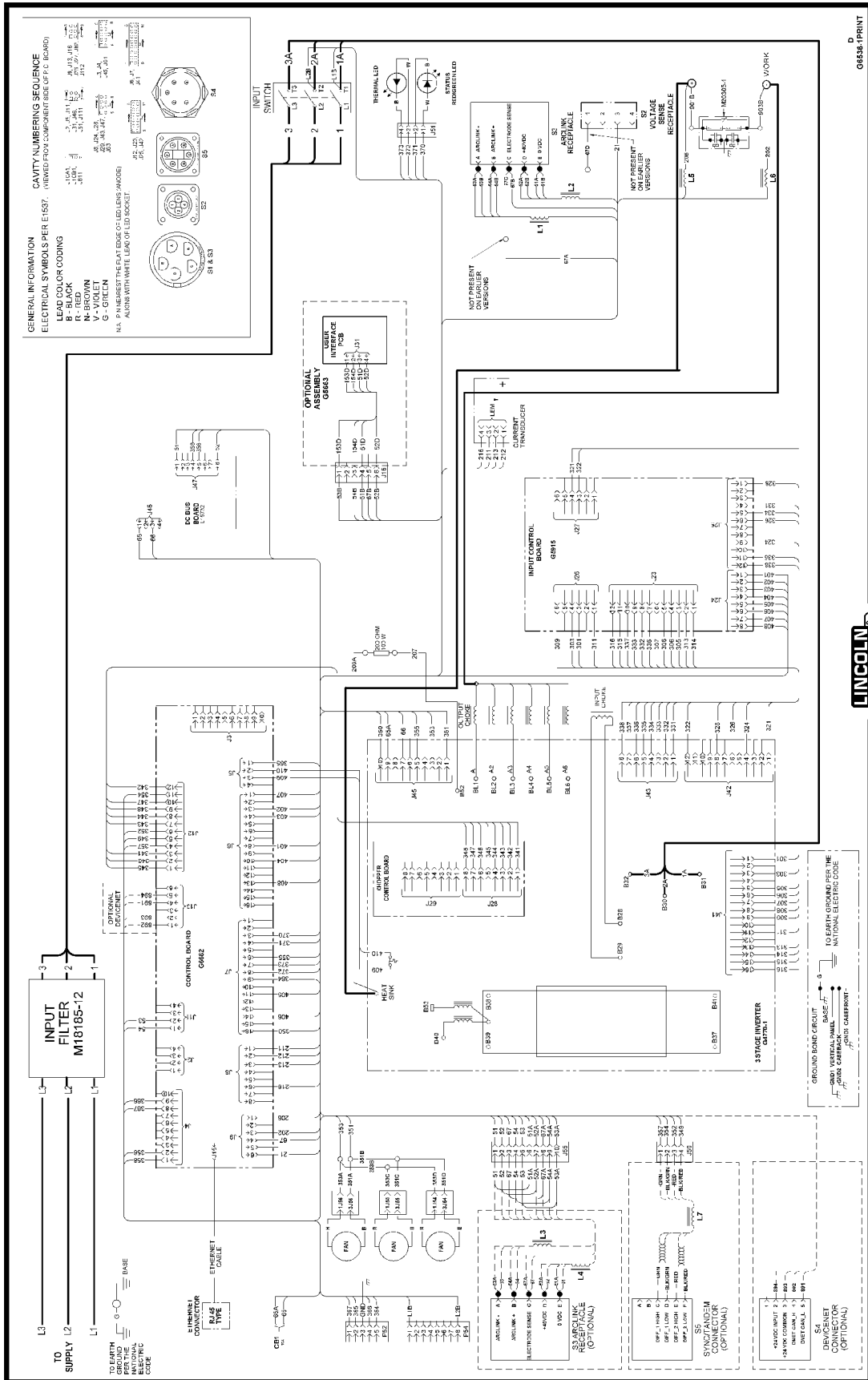
Figure J: Roof Assembly (P-705-F)

Item	Description	Part Number	QTY	1	2	3	4	5	6	7
1	Roof Assembly, Includes:	L15724-1	1	X						
1A	Roof	L12763-6	1	X						
2	Top Extrusion Assembly, Includes:	M22375-2	1	X						
2A	Top Tray	G5054	1	X						
2B	Top Extrusion	M21251-1	2	X						
3A	Handle Mounting Bracket	L15070	2	X						
3B	Self Tapping Screw (Not Shown)	S9225-100	8	X						
5A	Corner Cap	L13138	4	X						
6A	Handle	G6525-3	2	X						
7	Left Case Side Assembly, Includes:	M22781	1	X						
7A	Left Case Side	L15257	1	X						
7D	Acoustical Foam	M15045-110	2	X						
7E	Access Door	M22907	1	X						
8	Right Case Side Assembly, Includes:	M24766	1	X						
8A	Right Case Side	L15258	1	X						
10A	Control P.C. Board	S29513-[]	1	X						
15A	Input Choke Assembly	L16139	1	X						

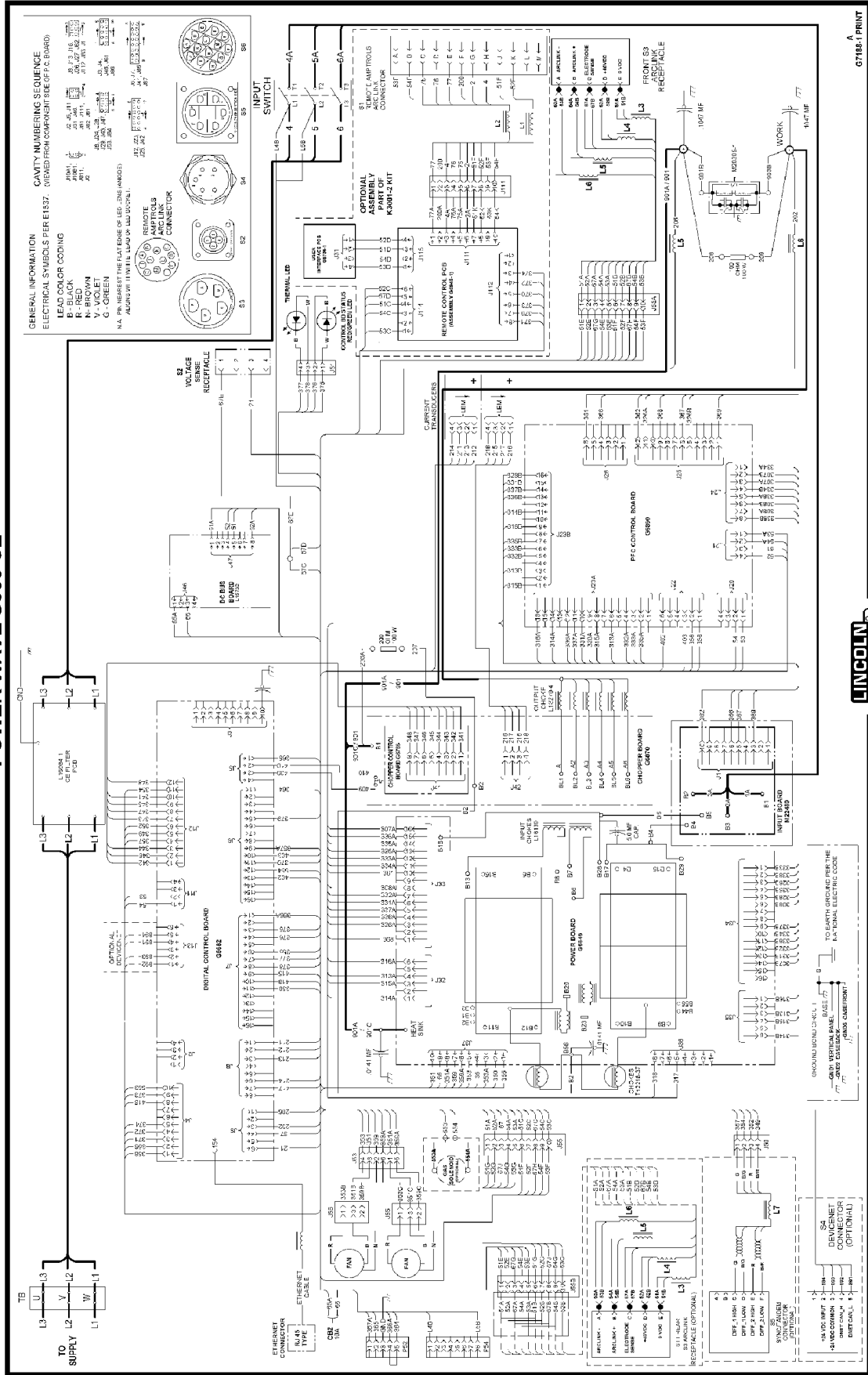
Electrical Schematic

POWER WAVE® S350 CE

POWER WAVE S350 CE



POWER WAVE S500 CE



67188-1 PRINT

REV. 200 07/03/04

