

BESTER 190C MULTI

Spare Parts.....	1
Figure A: Machine Assembly	1
Electrical Schematic	2
Bester 190C MULTI code 191100.....	2



Spare Parts

SP191100 REV02
07/19

ASSEMBLY PAGE NAME			Machine Assembly					
CODE NO.:	W NO.:	FIGURE NO.:	A					
191100	B18259-1	Bester 190C MULTI	1					

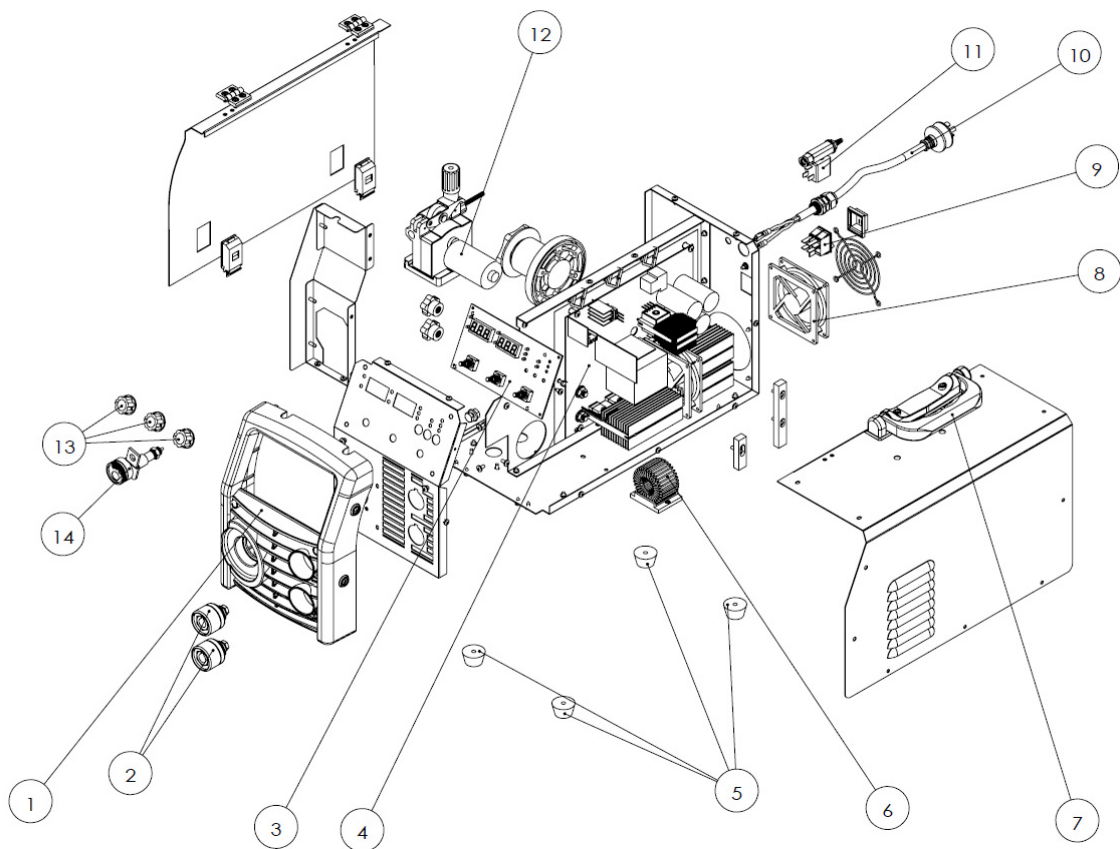


Figure A

Figure A: Machine Assembly

Item	Description	Part Number	QTY	1	2	3	4	5	6	7
1	FRONT PLASTIC PANEL	S33444-1	1	X						
2	QUICK CONNECTOR	S33444-2	2	X						
3	ENCODER PCB	S33444-3	1	X						
4	POWER SYSTEM	S33444-4	1	X						
5	RUBBER BLANKET	S33444-5	4	X						
6	INDUCTANCE	S33444-6	1	X						
7	HANDLE	S33444-7	1	X						
8	DC FAN	S33444-8	1	X						
9	POWER SWITCH	S33444-9	1	X						
10	POWER CABLE	S33444-10	1	X						
11	SOLENOID VALVE	S33444-11	1	X						
12	WIRE FEEDER	S33444-12	1	X						
13	KNOB	S33444-13	1	X						
14	TORCH CONNECTION	S33444-14	1	X						

Electrical Schematic

Bester 190C MULTI code 191100

