

POWERTEC i250C STANDARD POWERTEC i250C ADVANCED POWERTEC i320C STANDARD POWERTEC i320C ADVANCED

Spare Parts	1
Figure A. Powertec i250C/i320C STANDARD/ADVANCED Machine Assembly	2
Figure B: Powertec i250C/i320C STANDARD/ADVANCED Inside Machine Assembly	3
Figure C: Powertec i250C/i320C STANDARD/ADVANCED Wire Drive Assembly	3
Figure D, E: Powertec i250C/i320C STANDARD/ADVANCED Front Assembly	4
Miscellaneous Items (not shown in figure A, B, C, D, E)	5
Electrical Schematic	6
CODE: 50430, 50432	6
CODE: 50431, 50433	7



Spare Parts

SP50430, SP50431, SP50432, SP50433 REV05
10/2018

ASSEMBLY PAGE NAME			Powertec Machine Assembly	Machine Front Assembly	Wire Drive Assembly & Euro Socket Assembly	Powertec i250C/i320C STD Front Assembly	Powertec i250C/i320C ADV Front Assembly	Miscellaneous Items
CODE NO.:	K NO.:	FIGURE NO.:	A	B	C	D	E	-
50430	K14157-1	POWERTEC i250C STANDARD	1	1	1	1	-	1
50431	K14157-2	POWERTEC i250C ADVANCED	2	2	2	-	2	2
50432	K14158-1	POWERTEC i320C STANDARD	3	3	3	3	-	3
50433	K14158-2	POWERTEC i320C ADVANCED	4	4	4	-	4	4

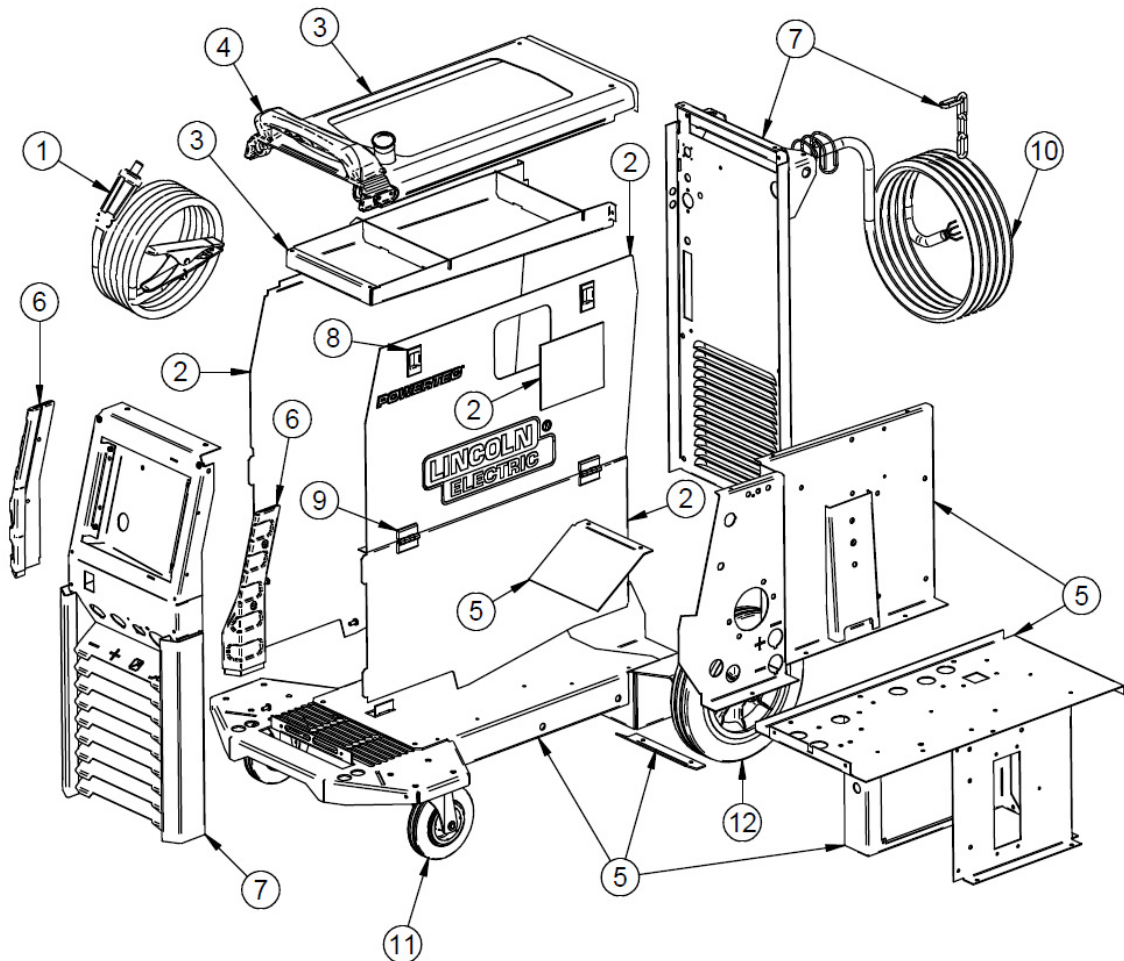


Figure A

Figure A. Powertec i250C/i320C STANDARD/ADVANCED Machine Assembly

Item	Description	Part Number	QTY	1	2	3	4	5	6	7
1	WELDING CABLE	GRD-300A-50-5M	1	X	X	X	X			
2	SIDE PANEL KIT	R-1019-486-1R	1	X	X	X	X			
3	COVER KIT	R-3019-455-1/02R	1	X	X	X	X			
4	HANDLE	R-0010-292-1R	1	X	X	X	X			
5	BASE, PARTITION, SHELF KIT	R-3019-426-1R	1	X	X	X	X			
6	SIDE COVER KIT	R-0010-623-1R	1	X	X	X	X			
7	FRONT AND REAR PANEL KIT	R-8040-387-1R	1	X	X	X	X			
8	LOCK	0654-610-004R	2	X	X	X	X			
9	LEAF HINGE	0654-610-007R	2	X	X	X	X			
10	MAIN INPUT CORD	R-5041-497-1R	1	X	X	X	X			
11	WHEELS	1029-660-127R	2	X	X	X	X			
12	WHEELS	1029-660-250R	2	X	X	X	X			

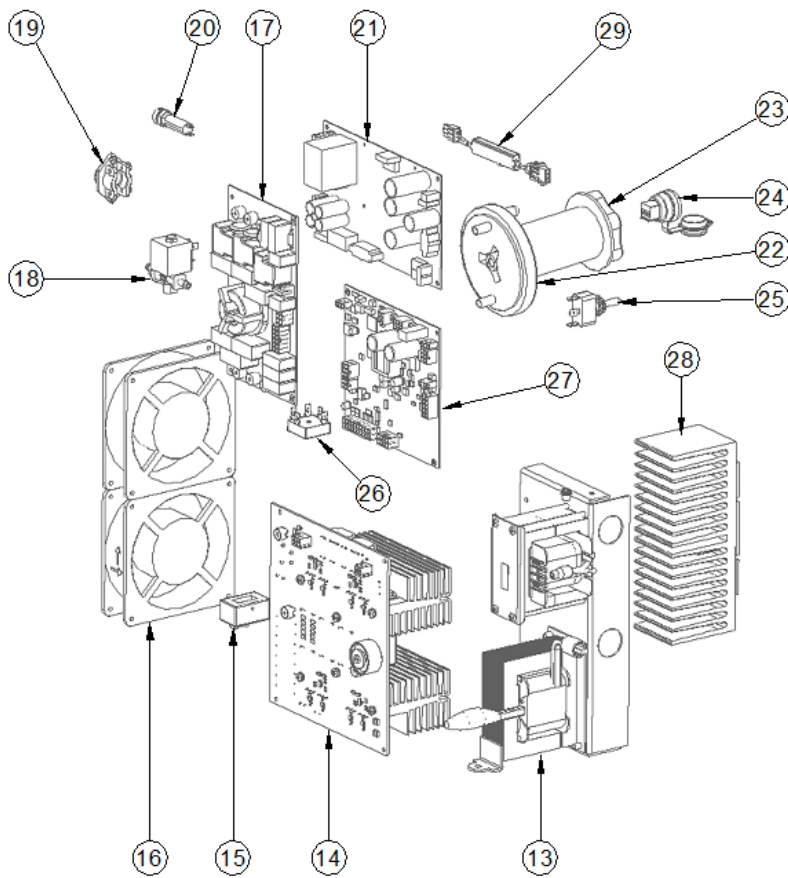


Figure B

Figure B: Powertec i250C/i320C STANDARD/ADVANCED Inside Machine Assembly

Item	Description	Part Number	QTY	1	2	3	4	5	6	7
13	TRANSFORMER AND CHOKE	R-8040-382-2R	1	X	X	X	X			
14	INVERTER BOARD	R-6042-079-1R	1	X	X	X	X			
15	HALL SENSOR	W4900004R	1	X	X	X	X			
16	FAN	W66X1369R	2	X	X	X	X			
17	INPUT FILTER	Y051-1R	1	X	X	X	X			
18	SOLENOID	0972-423-040R	1	X	X	X	X			
19	CABLE RELIEF	1361-599-674R	1	X	X	X	X			
20	FUSE SOCKET	1158-632-032R	1	X	X	X	X			
	FUSE 1A 400V	1158-660-003R	1	X	X	X	X			
21	PC BOARD	R-6042-081-1R	1	X	X	X	X			
22	WIRE SPOOL HUB	0744-000-335R	1	X	X	X	X			
23	PLASTIC NUT	0744-000-336R	1	X	X	X	X			
24	USB SOCKET	1158-641-061R	1	-	X	-	X			
25	SWITCH	1115-280-004R	1	X	X	X	X			
26	THREE PHASE BRIDGE	1156-112-206R	1	X	X	X	X			
27	CONTROL BOARD	R-6042-082-2R	1	X	-	-	-			
	CONTROL BOARD	R-6042-082-1R	1	-	X	-	-			
	CONTROL BOARD	R-6042-080-2R	1	-	-	X	-			
	CONTROL BOARD	R-6042-080-1R	1	-	-	-	X			
28	OUTPUT BRIDGE	R-8040-388-1R	1	X	X	X	X			
29	LED MODULE	R-5041-508-1R	2	X	X	X	X			

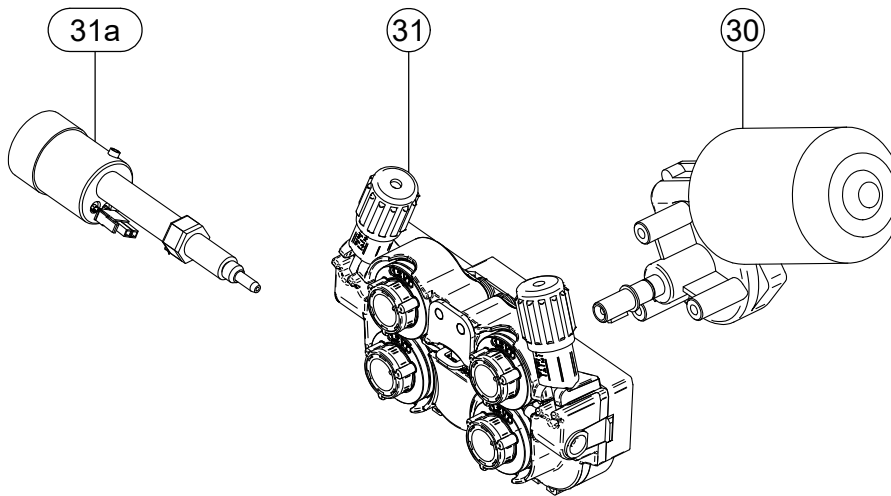


Figure C

Figure C: Powertec i250C/i320C STANDARD/ADVANCED Wire Drive Assembly

Item	Description	Part Number	QTY	1	2	3	4	5	6	7
30	WIRE DRIVE MOTOR	1111-722-048R	1	X	X	X	X			
31	COMPLETE FEED PLATE ASSEMBLY (INCLUDES 1.0/1.2 MM DRIVE ROLLS AND WIRE GUIDE KIT)	0744-000-009R	1	X	X	X	X			
31a	Euro Socket	R-8040-389-1R	1	X	X	X	X			

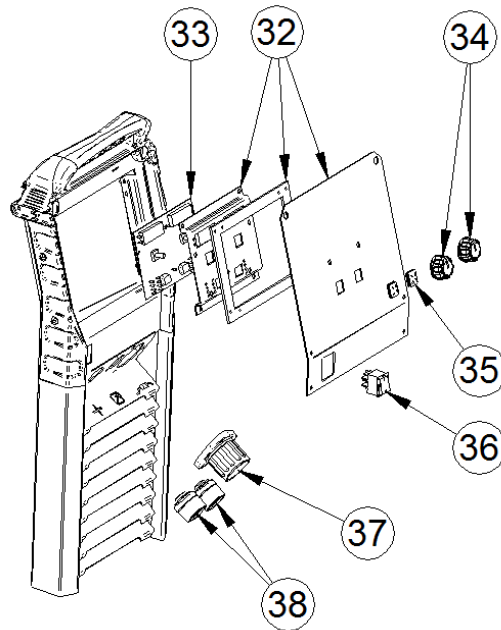


Figure D

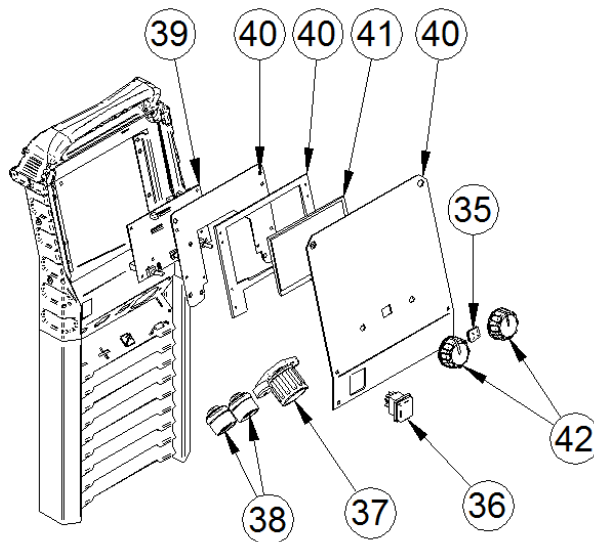


Figure E

Figure D, E: Powertec i250C/i320C STANDARD/ADVANCED Front Assembly

Item	Description	Part Number	QTY	1	2	3	4	5	6	7
32	DISPLAY FRONT PANEL KIT	R-0010-619-2R	1	X	-	X	-			
33	USER INTERFACE PCB	R-6042-078-1R	1	X	-	X	-			
34	KNOB	9SM22778-2	2	X	-	X	-			
35	BUTTON	9SS23055	2	X	-	X	-			
			1	-	X	-	X			
36	MAIN SWITCH	1115-270-022R	1	X	X	X	X			
37	EURO SLEEVE	C-1891-006-1R	1	X	X	X	X			
38	SOCKET	W7690350R	2	X	X	X	X			
39	PCB	R-6042-077-1R	1	-	X	-	X			
40	DISPLAY FRONT PANEL KIT	R-0010-618-2R	1	-	X	-	X			
41	LCD	0942-177-002R	1	-	X	-	X			
42	KNOB	9SM22778-3	2	-	X	-	X			

Miscellaneous Items (not shown in figure A, B, C, D, E)

Item	Description	Part Number	QTY	1	2	3	4	5	6	7
43	HARNESSES KIT	R-5041-494-1R	1	X	X	X	X			

Electrical Schematic

CODE: 50430, 50432

