

LF 52D LF 56D

| | |
|---|---|
| Spare Parts | 1 |
| Figure A: LF 52D & LF 56D Machine Assembly | 2 |
| Figure B: LF 52D & LF 56D Partition Assembly..... | 3 |
| Figure C: LF 52D & LF 56D Wire Drive Assembly..... | 4 |
| Figure D: LF-52D & LF-56D Front Assembly..... | 6 |
| Figure E: LF-52D & LF-56D Back Panel..... | 7 |
| Miscellaneous Items (not shown in figure A, B, C, D, E) | 7 |
| Electrical Schematic..... | 8 |
| CODE: 50448 | 8 |
| CODE: 50449 | 9 |



Spare Parts

SP50448, SP50449 REV01
02/2020

| ASSEMBLY PAGE NAME | | | Machine Assembly | Partition Assembly | Wire Drive Assembly | Front Assembly | Back Panel | Miscellaneous Items |
|--------------------|----------|-------------|------------------|--------------------|---------------------|----------------|------------|---------------------|
| CODE NO.: | K NO.: | FIGURE NO.: | A | B | C | D | G | |
| 50448 | K14186-1 | LF 52D | 1 | 1 | 1 | 1 | 1 | 1 |
| 50449 | K14187-1 | LF 56D | 2 | 2 | 2 | 2 | 2 | 2 |

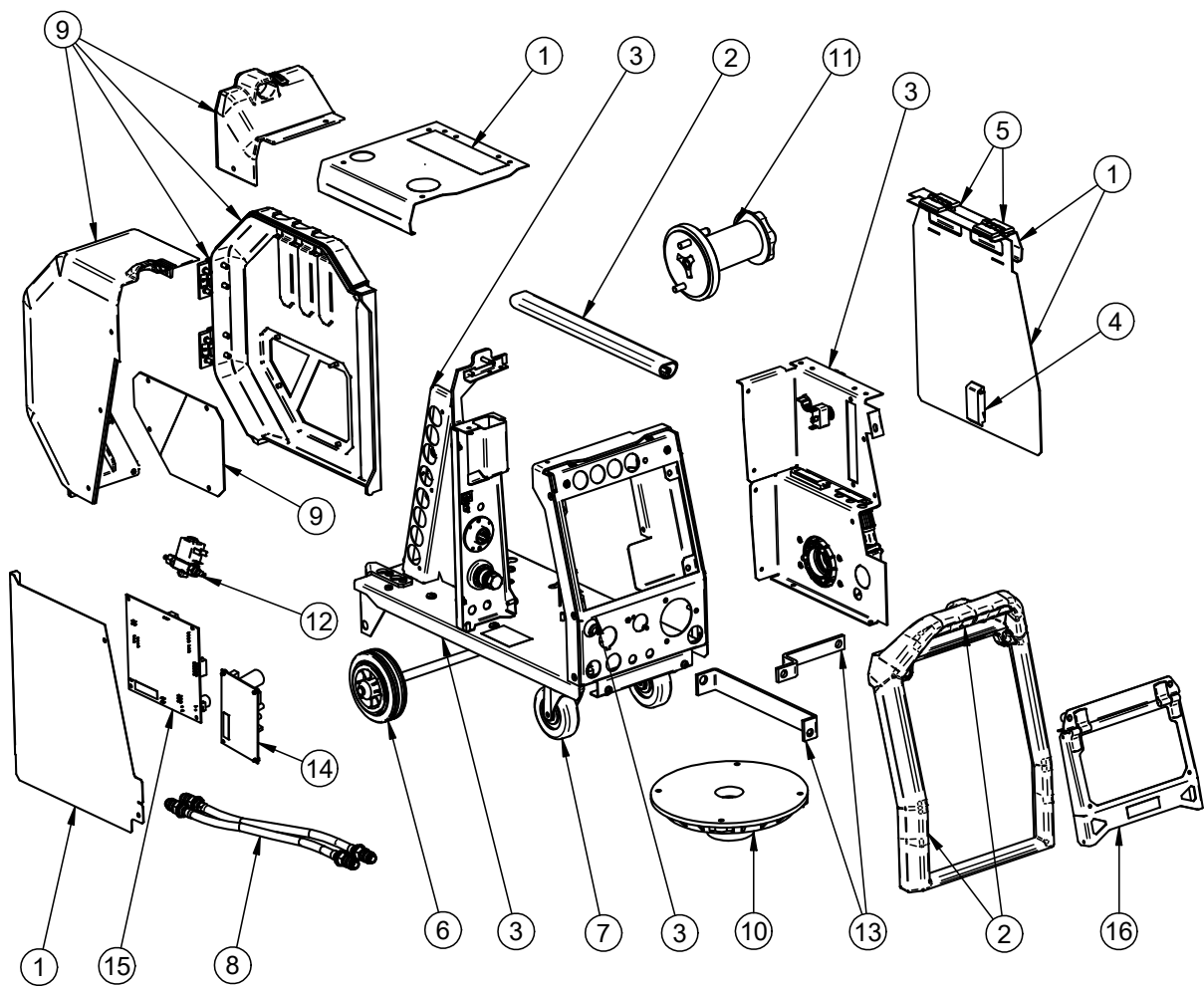


Figure A

Figure A: LF 52D & LF 56D Machine Assembly

| Item | Description | Part Number | QTY | 1 | 2 | 3 | 4 | 5 | 6 | 7 |
|------|-----------------------------|---------------|-----|---|---|---|---|---|---|---|
| 1 | SIDE PANEL KIT includes: | T-8040-039-1R | 1 | X | X | | | | | |
| | LEFT SIDE PANEL | | 1 | X | X | | | | | |
| | RIGHT SIDE PANEL | | 1 | X | X | | | | | |
| | COVER | | 1 | X | X | | | | | |
| | LABLE | | 5 | X | X | | | | | |
| | SHELF | | 1 | X | X | | | | | |
| 2 | FRONT PANEL FRAME KIT: | T-8040-040-1R | 1 | X | X | | | | | |
| | FRONT PANEL | | 1 | X | X | | | | | |
| | RED INSERT | | 1 | X | X | | | | | |
| | HANDLE | | 1 | X | X | | | | | |
| 3 | BASE, PARTITION, SHELF KIT: | T-8040-041-1R | 1 | X | | | | | | |
| | BASE ASSEMBLY | | 1 | X | | | | | | |
| | PARTITION ASSEMBLY | | 1 | X | | | | | | |
| | PARTITION LABEL | | 1 | X | | | | | | |
| | FRONT PANEL | | 1 | X | | | | | | |
| | BACK LABEL | | 1 | X | | | | | | |
| | BRACKET | | 1 | X | | | | | | |
| 3 | BASE, PARTITION, SHELF KIT: | T-8040-048-1R | 1 | | X | | | | | |
| | BASE ASSEMBLY | | 1 | | X | | | | | |
| | PARTITION ASSEMBLY | | 1 | | X | | | | | |
| | PARTITION LABEL | | 1 | | X | | | | | |
| | FRONT PANEL | | 1 | | X | | | | | |
| | BACK LABEL | | 1 | | X | | | | | |
| | BRACKET | | 1 | | X | | | | | |
| 4 | LOCK | 0654-610-004R | 1 | X | X | | | | | |
| 5 | LEAF HINGE | 0654-610-007R | 2 | X | X | | | | | |
| 6 | WHEELS | 1029-660-006R | 2 | X | X | | | | | |
| 7 | WHELLS | 1029-660-004R | 2 | X | X | | | | | |
| 8 | WATER CONNECTION KIT: | T-8040-043-1R | 1 | X | X | | | | | |
| | COOLING HOSES | | 2 | X | X | | | | | |
| | QUICK CONNECTOR | | 4 | X | X | | | | | |
| 9 | PLASTIC COVER KIT | T-8040-044-1R | 1 | X | X | | | | | |
| 10 | ROTARY BRACKET | 1361-598-180R | 1 | X | X | | | | | |
| 11 | REEL HUB STANDARD | 0744-000-192R | 1 | X | X | | | | | |
| 12 | GAS SOLENOID | W8500011R | 1 | X | X | | | | | |
| 13 | CONDUCTOR RAILS KIT | T-8040-045-1R | 1 | X | X | | | | | |
| 14 | CONTROL BOARD | R-6042-096-1R | 1 | X | | | | | | |
| 15 | CONTROL BOARD | R-6042-094-1R | 1 | | X | | | | | |
| 16 | CONTROL PANEL COVER KIT | T-8040-058-1R | 1 | | X | | | | | |

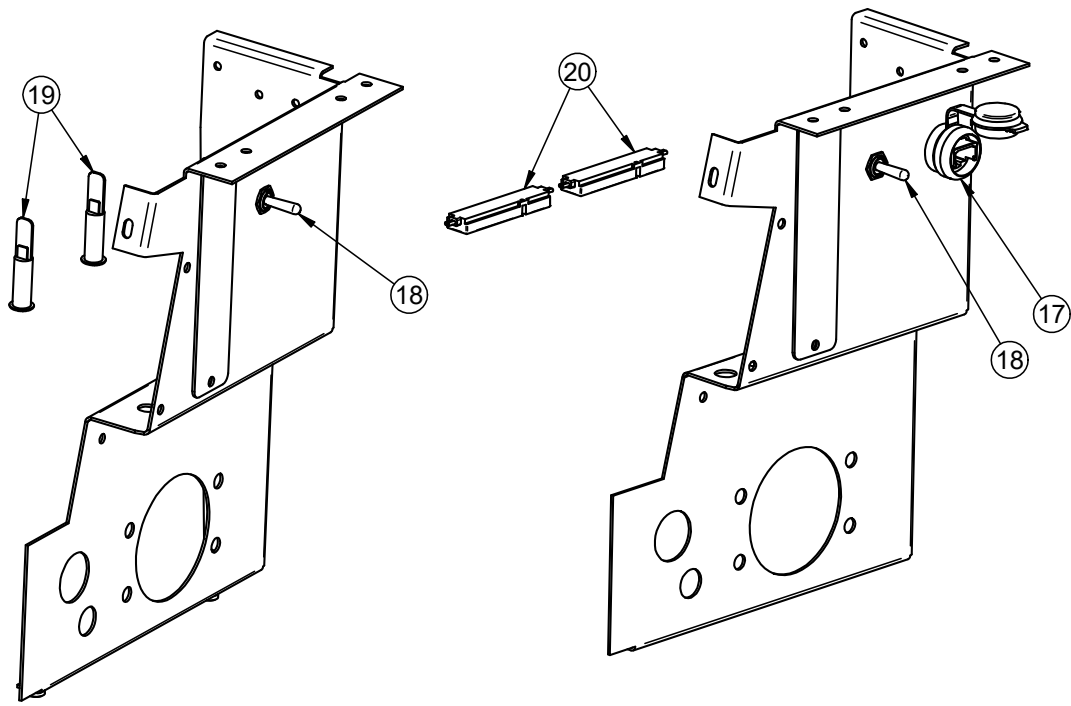


Figure B

Figure B: LF 52D & LF 56D Partition Assembly

| Item | Description | Part Number | QTY | 1 | 2 | 3 | 4 | 5 | 6 | 7 |
|------|-------------|---------------|-----|---|---|---|---|---|---|---|
| 17 | USB SOCKET | 1158-641-061R | 1 | | X | | | | | |
| 18 | SWITCH | 1115-280-004R | 1 | X | X | | | | | |
| 19 | WHITE LAMP | 0917-421-049R | 2 | X | | | | | | |
| 20 | LED MODULE | R-5041-508-1R | 2 | | X | | | | | |

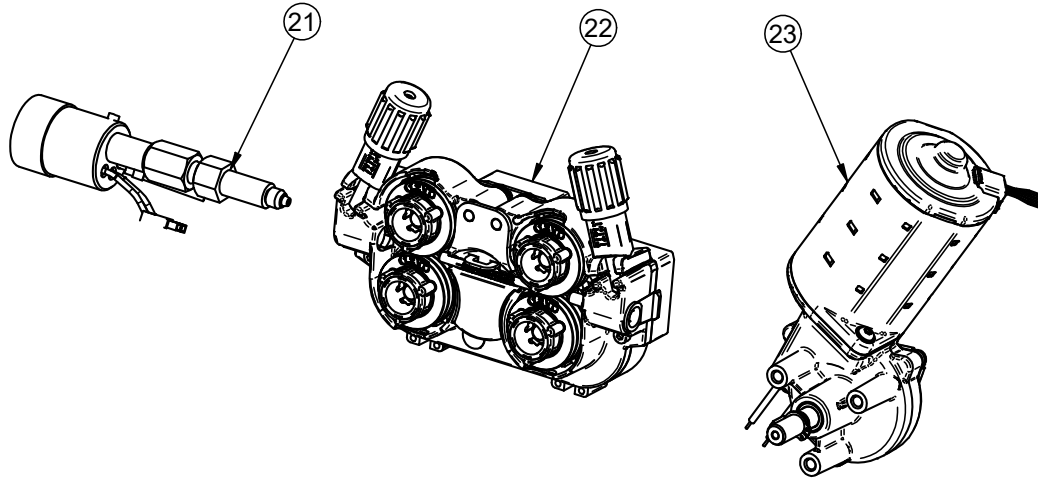


Figure C

Figure C: LF 52D & LF 56D Wire Drive Assembly

| Item | Description | Part Number | QTY | 1 | 2 | 3 | 4 | 5 | 6 | 7 |
|------|-------------|---------------|-----|---|---|---|---|---|---|---|
| 21 | EURO SOCKET | T-8040-051-1R | 1 | X | X | | | | | |
| 22 | WIRE FEEDER | 0744-000-009R | 1 | X | X | | | | | |
| 23 | WIRE MOTOR | T-8040-049-1R | 1 | X | X | | | | | |

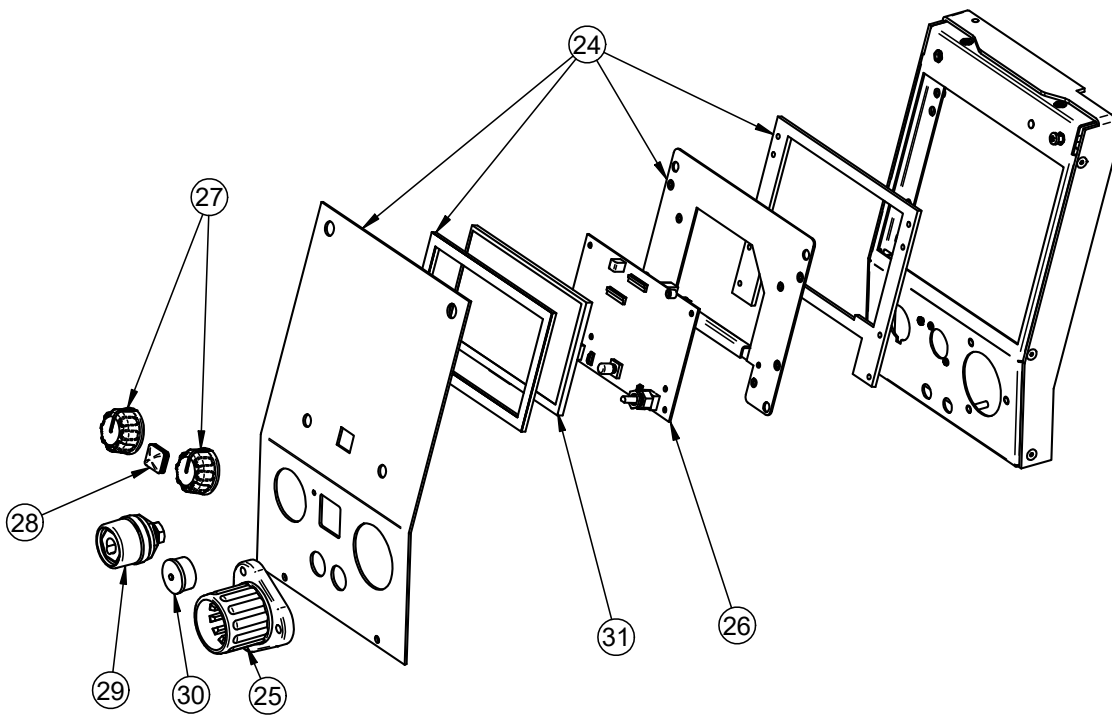
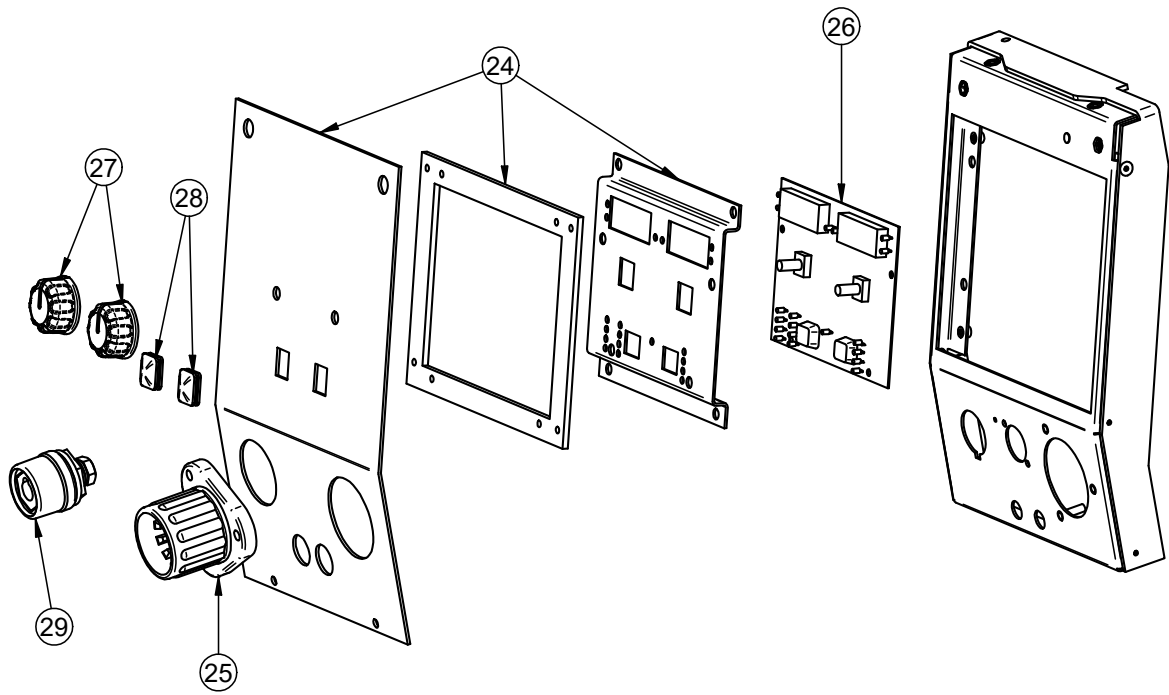


Figure D

Figure D: LF-52D & LF-56D Front Assembly

| Item | Description | Part Number | QTY | 1 | 2 | 3 | 4 | 5 | 6 | 7 |
|------|---------------------|---------------|-----|---|---|---|---|---|---|---|
| 24 | FRONT PANEL KIT: | T-8040-050-1R | 1 | X | | | | | | |
| | DISPLAY FRONT PANEL | | 1 | X | | | | | | |
| | BRACKET | | 1 | X | | | | | | |
| | BRACKET | | 1 | X | | | | | | |
| 24 | FRONT PANEL KIT: | T-8040-052-1R | 1 | | X | | | | | |
| | DISPLAY FRONT PANEL | | 1 | | X | | | | | |
| | DISPLAY GASKET | | 1 | | X | | | | | |
| | BRACKET | | 1 | | X | | | | | |
| | BRACKET | | 1 | | X | | | | | |
| 25 | EURO SLEEVE | C-1891-006-1R | 1 | X | X | | | | | |
| 26 | USER INTERFACE PCB | R-6042-078-1R | 1 | X | | | | | | |
| | USER INTERFACE PCB | R-6042-077-1R | 1 | | X | | | | | |
| 27 | KNOB | 9SM22778-2 | 2 | X | X | | | | | |
| 28 | BUTTON | 9SS23055 | 2 | X | | | | | | |
| | BUTTON | 9SS23055 | 1 | | X | | | | | |
| 29 | SOCKET | 90000595PR | 1 | X | X | | | | | |
| 30 | SOCKET COVER | 1158-641-159R | 1 | | X | | | | | |
| 31 | LCD | 0942-177-002R | 1 | | X | | | | | |

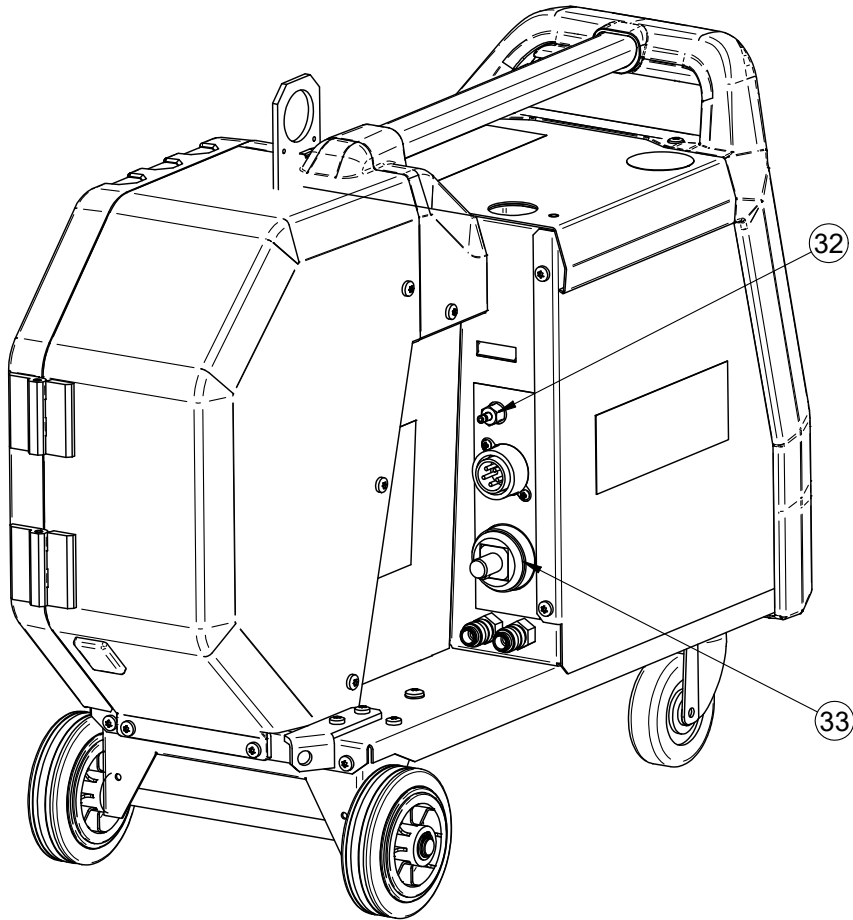


Figure E

Figure E: LF-52D & LF-56D Back Panel

| Item | Description | Part Number | QTY | 1 | 2 | 3 | 4 | 5 | 6 | 7 |
|------|--------------------|---------------|-----|---|---|---|---|---|---|---|
| 32 | GAS CONNECTION KIT | T-8040-055-1R | 1 | X | X | | | | | |
| 33 | SOCKET | D-2985-002-1R | 1 | X | X | | | | | |

Miscellaneous Items (not shown in figure A, B, C, D, E)

| Item | Description | Part Number | QTY | 1 | 2 | 3 | 4 | 5 | 6 | 7 |
|------|-------------|---------------|-----|---|---|---|---|---|---|---|
| 34 | HARNESS KIT | T-8040-053-1R | 1 | X | | | | | | |
| 35 | HARNESS KIT | T-8040-054-1R | 1 | | X | | | | | |

Electrical Schematic

CODE: 50448

