

INVERTEC® 300TPX & 400TPX

Spare Parts	1
Figure A: 300TPX Machine Assembly	2
Figure B: 400TPX Machine Assembly	4
Electrical Schematic	5
300TPX code 52129, 52110, 52135	5
400TPX code 52137, 52084, 52138	6



Spare Parts

SP52129/52110/52135 Rev08
07/03

ASSEMBLY PAGE NAME			Machine Assembly	Miscellaneous Items				
CODE NO.:	K NO.:	FIGURE NO.:	A	-				
52129	K12060-1	300TPX CE	1					
52110	K12060-2	300TPX AUS	2					
52135	K12060-6	300TPX CCC	2					

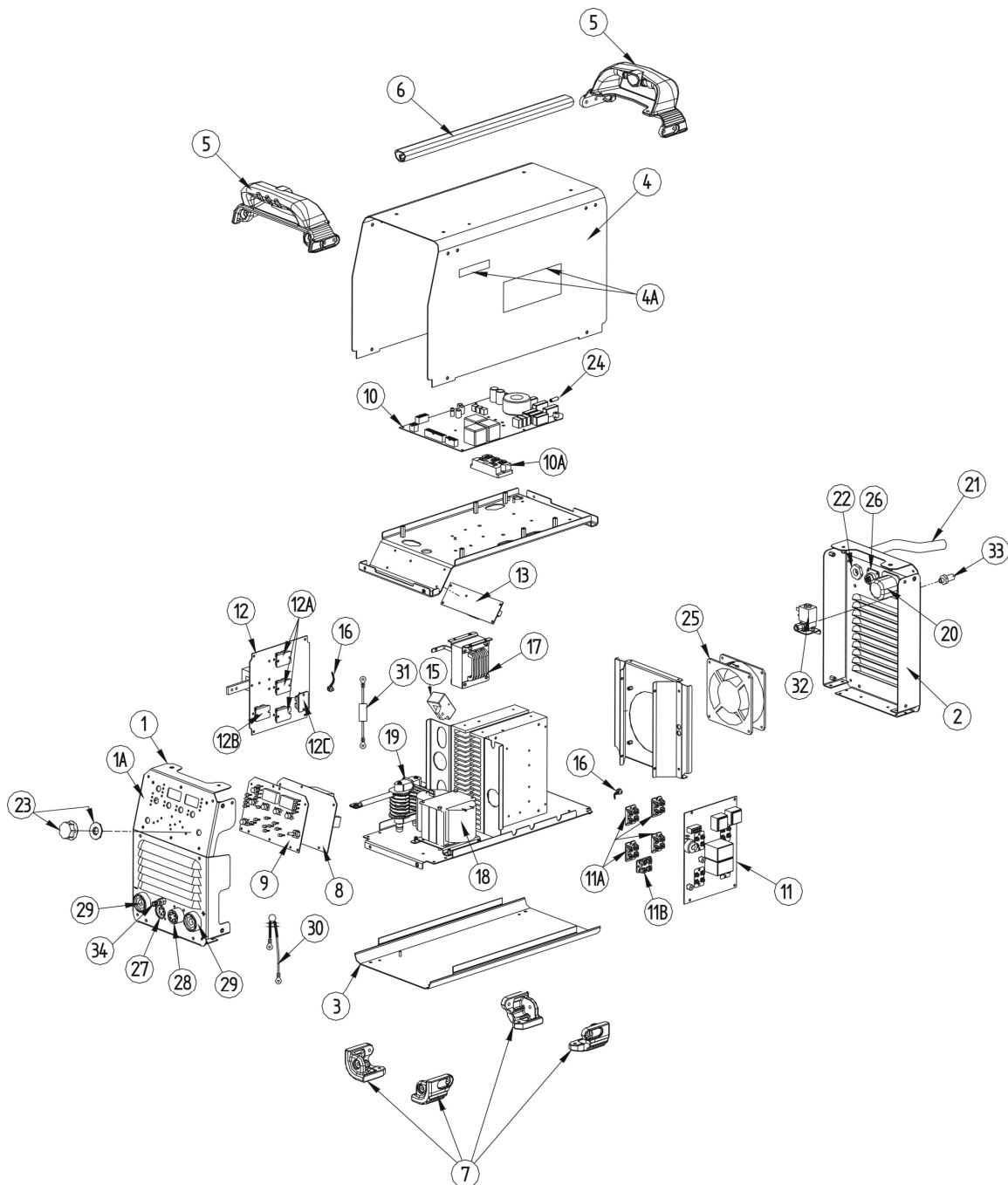


Figure A

Figure A: 300TPX Machine Assembly

Item	Description	Part Number	QTY	1	2	3	4	5	6	7
1	FRONT FRAME	W93X1361R	1	X						
1A	+ FRONT NAMEPLATE	+ W07X1514R	1	X	X					
2	REAR FRAME	W93X1362R	1	X	X					
3	BOTTOM FRAME	W93X1421R	1	X	X					
4	WRAPAROUND	W93X1133R	1	X						
4A	+ KIT SIDE NAMEPLATES INVERTEC	+ W07X1186R	2	X	X					
4B	+ CCC WARNING STICKER	+ 9SL8064-1	1	X						
5	FRONT / REAR HANDLE	W95X1146R	2	X	X					
6	CENTRAL HANDLE	W92X0228-5R	1	X	X					
7	KIT 4 ANTI-SLIP FOOT	W95X1147R	1	X	X					
8	CONTROL P.C. BOARD	W05X1687R	1	X	X					
9	DISPLAY P.C. BOARD	W05X1330-3R	1	X	X					
10	INPUT P.C. BOARD	W05X1328R	1	X						
10A	+ INPUT RECTIFIER	W4100012R	1	X	X					
11	INVERTER P.C. BOARD	W05X1327-1R	1	X						
11A	+ POWER IGBT	W4300070R	4	X	X					
11B	+ POWER RESISTOR	W1810010R	1	X						
12	OUTPUT P.C. BOARD	W05X1326-2R	1	X						
12A	+ OUTPUT DIODE	W4010040R	3	X						
12B	+ DOUBLER BRIDGE	W4100020R	1	X	X					
12C	+ POWER RESISTOR	W1810010R	1	X						
13	HF P.C. BOARD	W05X1615R	1	X	X					
14	---	---	-	-	-					
15	HALL SENSOR	W4900004R	1	X	X					
16	THERMOSTAT SENSOR	W9600081R	2	X	X					
17	OUT INDUCTOR	W58X1336R	1	X	X					
18	OUT TRANSFORMER	W59X1334R	1	X	X					
19	HF TRANSFORMER	W59X1401R	1	X	X					
20	SWITCH	W7511707R	1	X	X					
21	INPUT CORD	W78X1201R	1	X	*note					
22	CABLE CLAMP WITH NUT	W8400006R	1	X	X					
23	KNOB WITH FELT	W8707653R	1	X	X					
24	WATER COOLER FUSE	W7300225R	1	X	X					
25	FAN	W66X1369R	1	X	X					
26	WATER COOLER CONNECTOR	W6861008R	1	X	X					
27	TRIGGER TORCH CONNECTOR	R-5141-068-1R	1	X	X					
28	REMOTE CONTROL CONNECTOR	W6860030R	1	X	X					
29	DINSE CONNECTOR	W7690350R	2	X	X					
30	ASSEMBLE CAP. 4n7 250Vac	W66X1248R	1	X	X					
31	ASSEMBLE CAP. 47nF 2000Vdc	W66X1407R	1	X	X					
32	SOLENOID VALVE	W8500011R	1	X	X					
33	FITTING 1/4-1/8 + NUT 1/4	W8896074R	1	X	X					
34	FITTING QUICK CONNECTION PU 1/8	W8800082R	1	X	X					

*Not exist for Chinese version

ASSEMBLY PAGE NAME			Machine Assembly	Miscellaneous Items				
CODE NO.:	K NO.:	FIGURE NO.:	B	-				
52137	K12043-1	400TPX CE	1					
52084	K12043-2	400TPX CE	1					
52138	K12043-6	400TPX CCC	2					

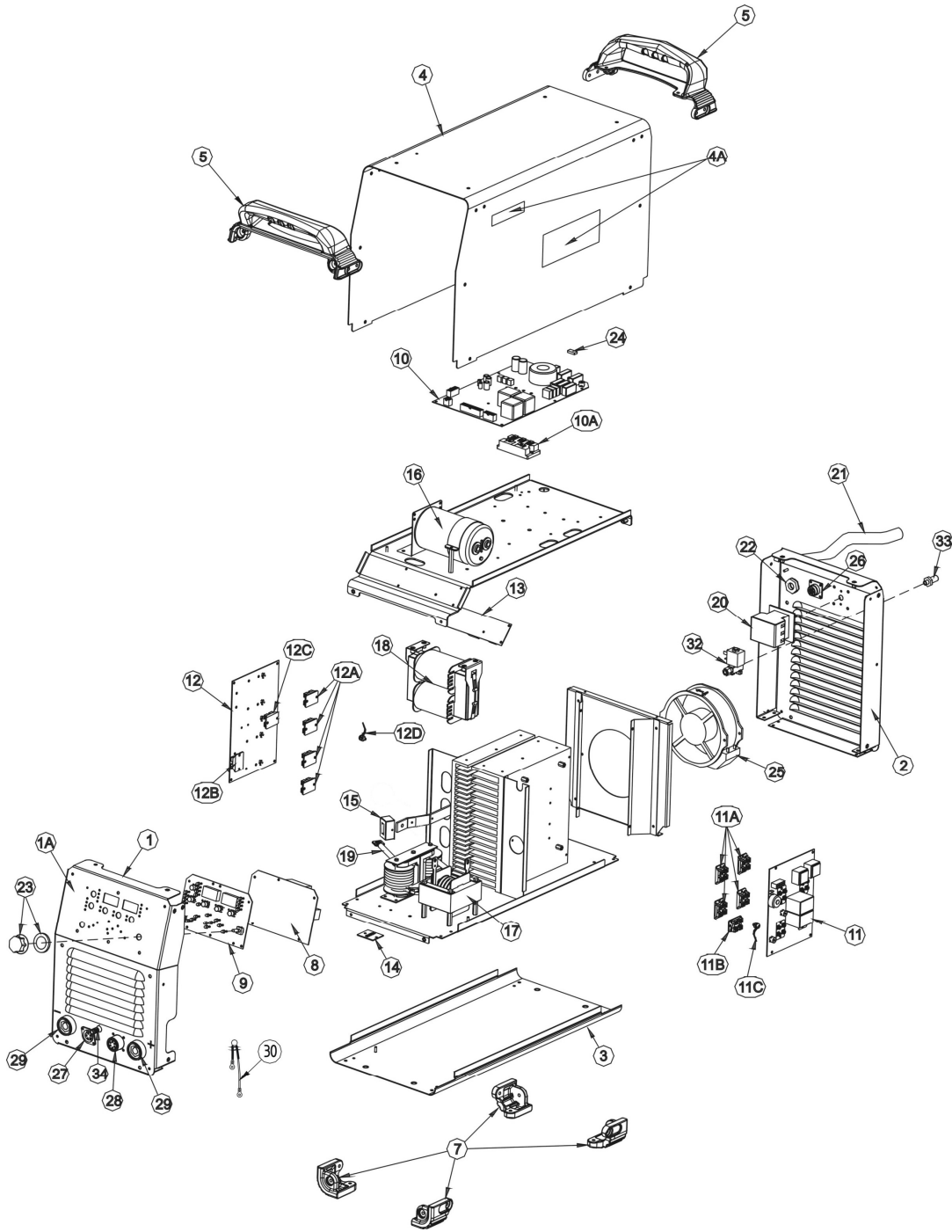


Figure B

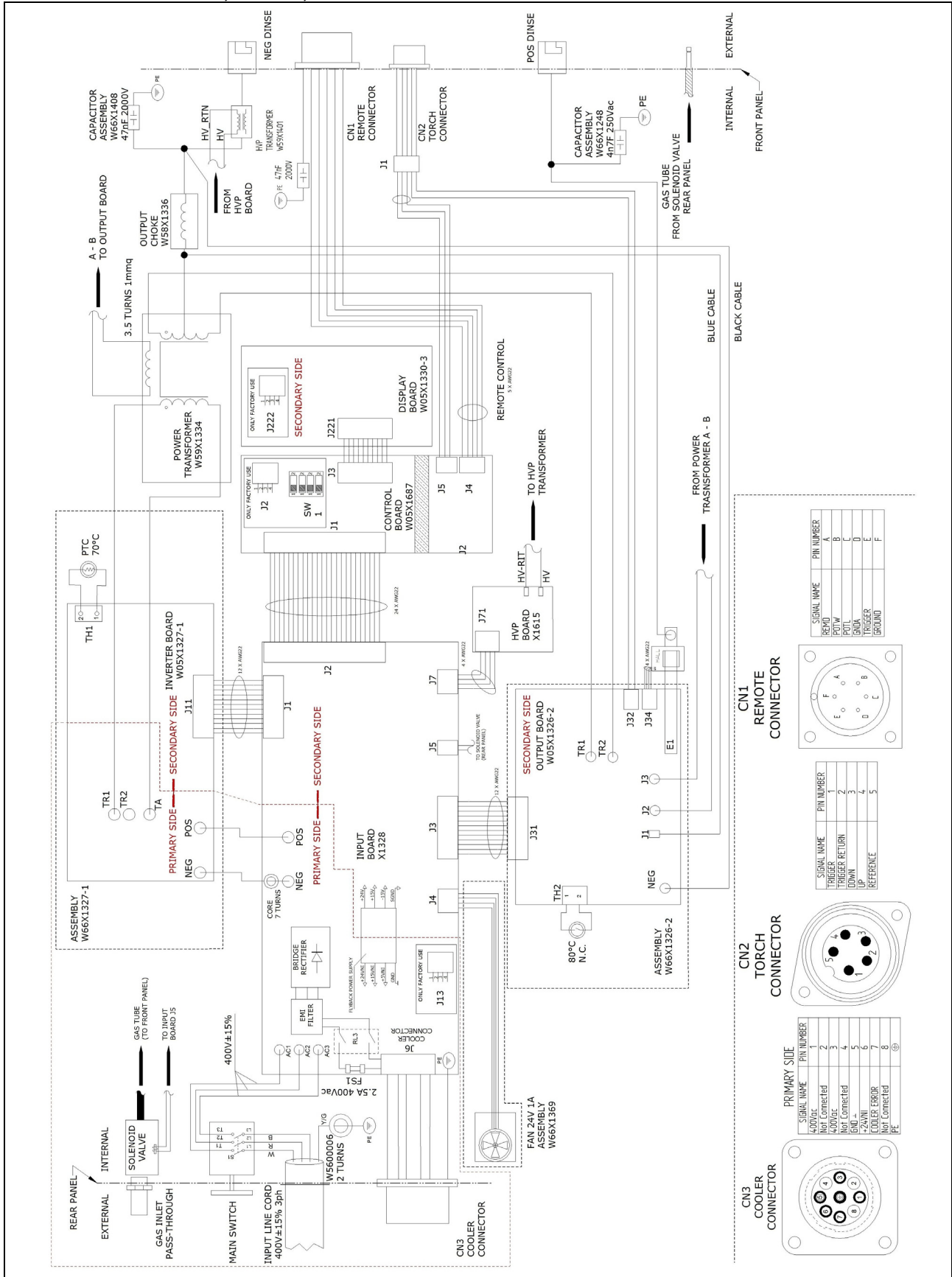
Figure B: 400TPX Machine Assembly

Item	Description	Part Number	QTY	1	2	3	4	5	6	7
1	FRONT FRAME	W93X1425R	1	X						
1A	+ FRONT NAMEPLATE	+ W07X1427R	1	X	X					
2	REAR FRAME	W93X1426R	1	X	X					
3	BOTTOM FRAME	W93X1450R	1	X	X					
4	WRAPAROUND	W93X1141R	1							
4A	+ KIT SIDE NAMEPLATES INVERTEC	+ W07X1186R	2		X					
4B	+ CCC WARNING STICKER	+ 9SL8064-1	1							
5	FRONT / REAR HANDLE	W95X1150R	2	X	X					
6	---	---	-	-	-					
7	KIT 4 ANTI-SLIP FOOT	W95X1147R	1	X	X					
8	CONTROL P.C. BOARD	W05X1687R	1	X	X					
9	DISPLAY P.C. BOARD	W05X1330-3R	1	X	X					
10	INPUT P.C. BOARD	W05X1328-2R	1	X	X					
10A	+ INPUT RECTIFIER	W4100012R	1	X						
11	INVERTER P.C. BOARD	W05X1327-2R	1	X	X					
11A	+ POWER IGBT	W4300070R	4	X	X					
11B	+ POWER RESISTOR	W1810010R	1	X	X					
11C	+ THERMOSTAT SENSOR	W2510070R	1	X	X					
12	OUTPUT P.C. BOARD	W05X1442R	1	X	X					
12A	+ OUTPUT DIODE	1156-113-420R	4	X	X					
12B	+ DOUBLER BRIDGE	W4100020R	1	X	X					
12C	+ POWER RESISTOR	W1810010R	1	X	X					
12D	+ THERMAL SENSOR	W9600081R	1	X	X					
13	HF P.C. BOARD	W05X1615R	1	X	X					
14	CAPACITOR P.C. BOARD	W05X1516-1R	1	X	X					
15	HALL SENSOR	W4900004R	1	X	X					
16	D.C. BUS SCREW CAPACITOR	W3880060R	1	X	X					
17	OUT INDUCTOR	W58X1440R	1	X	X					
18	OUT TRANSFORMER	W59X1441R	1	X	X					
19	HF TRANSFORMER	W59X1444R	1	X	X					
20	SWITCH	W7511706R	1	X	X					
21	INPUT CORD	W78X0853R	1	X	*note					
22	CABLE CLAMP WITH NUT	W8403222R	1	X	X					
23	KNOB WITH FELT	W8707653R	1	X	X					
24	WATER COOLER FUSE	W7300225R	1	X	X					
25	FAN	W66X1369R	1	X	X					
26	WATER COOLER CONNECTOR	W6861008R	1	X	X					
27	TRIGGER TORCH CONNECTOR	R-5141-068-1R	1	X	X					
28	REMOTE CONTROL CONNECTOR	R-5041-312-1R	1	X	X					
29	DINSE CONNECTOR	W7690350R	2	X	X					
30	EMI CAPACITOR ASSEMBLY	R-5141-044-1R	1	X	X					
31	---	---	-	-	-					
32	SOLENOID VALVE	W8500011R	1	X	X					
33	FITTING 1/4-1/8 + NUT 1/4	W8896074R	1	X	X					
34	FITTING QUICK CONNECTION PU 1/8	W8800082R	1	X	X					

- Do not exist for Chinese version

Electrical Schematic

300TPX code 52129, 52110, 52135



400TPX code 52137, 52084, 52138

