

BETA

Better visibility, better protection

Beta welding helmets provide superb lightweight eye and face protection for all welding, cutting, grinding and inspection purposes. Designed for professional welders and certified to EN175 B, Beta welding helmet range includes either passive or auto-darkening filters.

All Beta models feature the same lightweight but strong shell construction, a comfort headband, GapView flip lens function and magnifying lens frame. When combined with a Kemppi PAPR system, Beta FA models offer TH2 respiratory protection for your lungs.

- Protection for welding, grinding and cutting
- Super lightweight, starting at just 473 g
- Flip-lens with GapView stage position
- Extra protection to face and neck
- ADF and passive lens models
- Comfort headband
- Leather neck protector option
- Magnifying lens frame



Welding helmets



Beta e90P/e90A/e90X

Lightweight welding and grinding shields. Flip-up passive or automatic welding lens models, large clear view visor, GapView setting, comfort headband. (Page 26)



Optional neck protectors

Leather welding bib option is available for use with all Alfa e and Beta e models. Snap buttons allow easy removal and attachment. Separate leather protector option for the neck and shoulders is available for use with all Kemppi personal protection equipment.

Welding respirator systems



Beta e90 PFA/SFA/XFA

TH2 rated PAPR packages, featuring solutions for both particle and gas filtration. Suitable for welding, grinding and inspection operations. Automatic welding lens options. (Page 27)



Beta e90 PFA/SFA/XFA Airline

Welder respirators for connection to a supplied breathing air source. Suitable for welding, grinding and inspection operations. Automatic welding lens options. (Page 27)

Lightweight comfort and protection
for the eyes, face and lungs



BETA WELDING HELMETS

Designed for professional welders and certified to EN175 B and AS/NZS 1337.1 for welding, grinding and cutting processes, Beta welding helmet range includes three models equipped with either passive or automatic ADF lenses. All Beta models feature the same lightweight but strong shell construction, a comfort headband, GapView flip lens function and magnifying lens frame. The shell design features generous dimensions, providing facial areas excellent protection from arc radiation, whilst allowing good access for tight work-spaces.

Model options and features

- Beta e90P/e90A/e90X
- For welding, tacking, cutting, grinding and inspection
- Passive or ADF welding lens options
- Beta e90X features XA 47 LiFE+ Color ADF including shades 14 and 15
- Beta e90A features SA 60B LiFE+ Color ADF with 60 cm² viewing area
- Deeper protection for facial sides
- Comfort headband
- Light weight – Beta e90P only 473 g
- Magnifying lens option
- See page 46 for models specification



Beta models feature a range of automatic welding filters, plus optional magnifying lenses.



BETA e90X



Beta e90X

9873024

Beta e90X welding helmet with auto-darkening welding filter XA 47.

Spare parts and accessories

Protection plate (90 x 110 x 1.0), 10 pcs	SP9873253
ADF welding filter XA 47 (shades 9-15, viewing area 97 x 47)	SP9873063
Inner protection plate for SA 47 / XA 47 (104 x 54), 5 pcs	SP012952
Safety plate (90 x 110 x 1.5), 10 pcs	SP9873254
Filter retaining spring	SP3149850
Headband	SP009023
Sweatband, 2 pcs	SP9873018
Hatch set	SP015664
Universal leather neck protector	SP015579
Leather welding bib (Alfa and Beta)	SP015177
Comfort band padding, 5 pcs	SP013231

Magnifying lenses

Diopter 1.0 (51 x 108 mm)	9873260
Diopter 1.5 (51 x 108 mm)	9873261
Diopter 2.0 (51 x 108 mm)	9873262
Diopter 2.5 (51 x 108 mm)	9873263

SP9873063



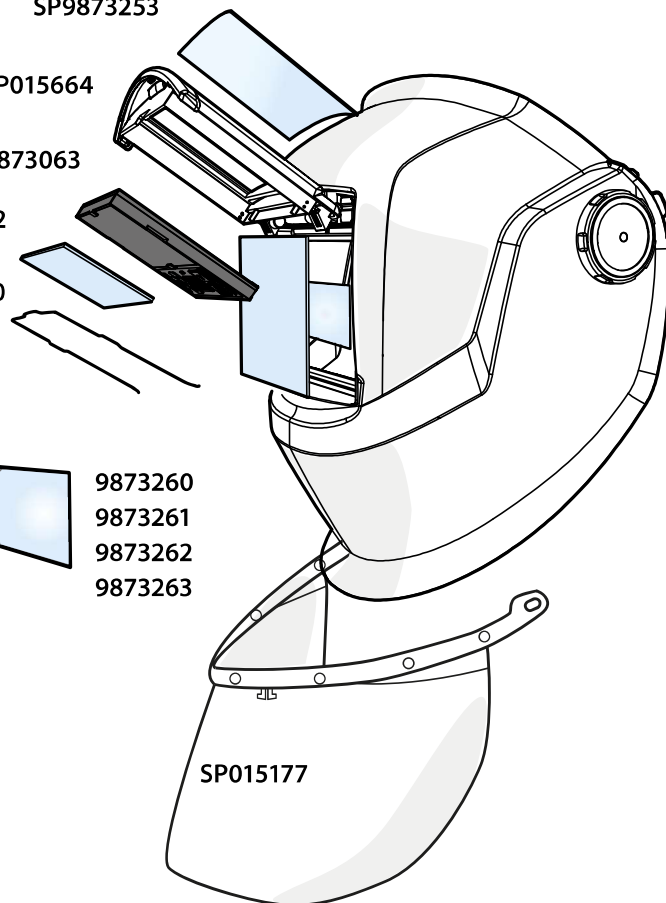
SP9873253

SP015664

SP9873063

SP012952

SP3149850



SP9873018

SP009023

SP9873254

9873260
9873261
9873262
9873263

SP015177

SP015579

ORDERING CODES