

## T-FLEX

### TELESCOPIC EXTRACTION ARM

The T-Flex is a wall-mounted telescopic extraction arm with a rotatable hood *RotaHood*. Incorporated into the hood is a throttle valve that can be fully opened, partially opened or completely closed to control airflow at hood opening. The arm features a focus extraction spoiler, which directs the air into the hood.

The arm is provided with an *EasyLift* advanced friction system for light, user friendly positioning of the arm. The telescopic construction enables the arm to extend over 400 mm (15.75 in.) which makes it ideal for small workstations or booth applications. The T-Flex is equipped with a mounting plate. It is suitable for stationary welding fume extraction systems only.



#### APPLICATIONS

The T-Flex is intended to be used for the following applications:

- MIG-MAG/GMAW welding
- TIG welding
- FCAW welding
- stick/MMAW welding



Do **not** use the T-Flex for the following applications or in the following circumstances:

- arc-air gouging
- aluminium laser cutting
- extraction of aggressive fumes and gases (e.g. from acids, from alkaline, from soldering paste containing lithium)
- extraction of hot gases (more than 45°C/113°F continuously)
- grinding aluminum and magnesium
- flame spraying
- extraction of cement, saw dust, wood dust etc.
- sucking cigarettes, cigars, oiled tissues and other burning particles, objects and acids
- explosive environments or explosive substances/gases



#### SPECIFICATIONS

##### Physical dimensions and properties

Arm length	1-1,4 m (40-55 in.)
Diameter	203 mm (8 in.)
Material:	
• tubes and hood	• polypropylene copolymere with UV stabilization
• hoses	• PVC with metal springs
• throat	• ABS
• handle, rim and grid	• nylon, glass fibre reinforced
Max. temperature (continuously):	
• tubes and hood	• 80°C (176°F)
• hoses	• 80°C (176°F)
• throat	• 80°C (176°F)
• handle, rim and grid	• 95°C (203°F)
Colour:	
• tubes and hood	• yellow RAL 1028
• hoses	• grey RAL 7024
Weight (net)	7 kg (15.4 lbs)

#### Performance

Airflow	max. 1600 m <sup>3</sup> /h (942 CFM)
<b>Ambient conditions</b>	
Operating temperature:	
• min.	• 5°C (41°F)
• nom.	• 20°C (68°F)
• max.	• 45°C (113°F)
Max. relative humidity	80%
Outdoor use allowed	no
Storage conditions	• 5-45°C (41-113°F) • relative humidity max. 80%
<b>Product combinations</b>	
TNB + FAN-14	wall bracket + fan
TNB + FAN-28	wall bracket + fan
<b>Available options</b>	
WL	working light
WL+AST	working light + automatic start/stop
<b>Scope of supply</b>	
Extraction arm - Hood - Hose 100 cm (2) - Bush (4) - Hardware	
<b>Order information</b>	
Article number	7925260090
Number/package	1
<b>Shipping data</b>	
Gross weight	
Packing dimensions	120 x 30 x 40 cm (47.2 x 11.8 x 15.7 in.)
Max. number/pallet	7
Harmonized Tariff Code	8421.9900.99
Country of origin	the Netherlands

■ Approvals/certificates



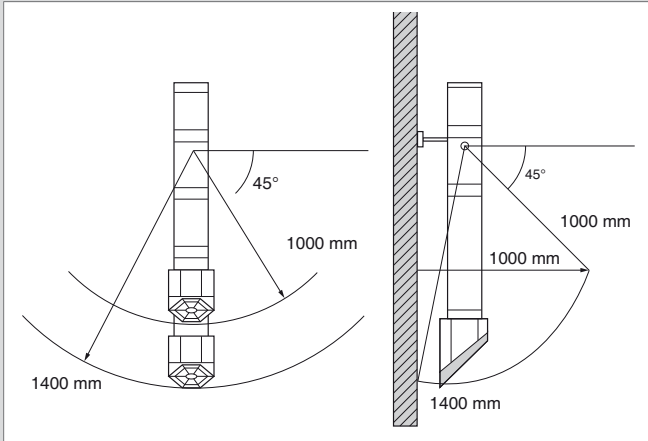
Directive 2011/65/EC (RoHS)  
valid as of 8 June 2011

FEATURES

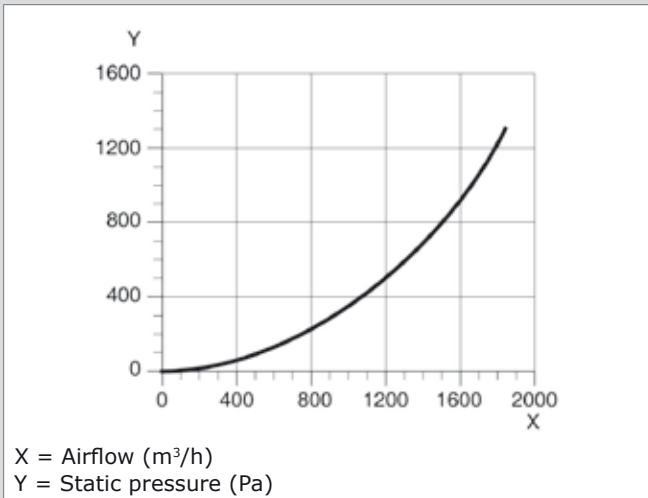
RotaHood 360° rotatable hood



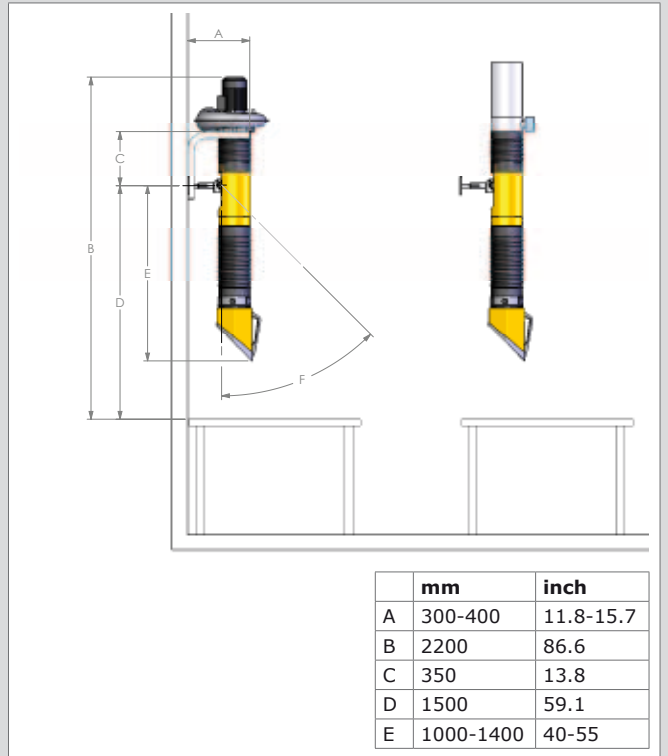
REACH



PRESSURE DROP



MOUNTING MEASUREMENTS



T-Flex + TNB + FAN-14/28 / T-Flex (+ central fan)

Product type

**T-Flex**

Article no.

7925260090

Product category

extraction arms/hoses

Version

070212/D

Always check the latest version on [www.plymovent.com](http://www.plymovent.com)