

FAN-28

EXTRACTION FAN

The FAN-28 is a wall-mounted extraction fan that provides extraction for T-Flex, T-Flex/CW, Flex and UltraFlex extraction arms with or without filtration. It needs to be mounted on a separate wall bracket.



APPLICATIONS

The FAN-28 is intended to be used for the following applications:

- MIG-MAG/GMAW welding
- TIG welding
- FCAW welding
- stick/MMAW welding



Do **not** use the FAN-28 for the following applications or in the following circumstances:

- arc-air gouging
- aluminium laser cutting
- extraction of aggressive fumes and gases (e.g. from acids, from alkaline, from soldering paste containing lithium)
- extraction of hot gases (more than 45°C/113°F continuously)
- grinding aluminum and magnesium
- flame spraying
- extraction of cement, saw dust, wood dust etc.
- sucking cigarettes, cigars, oiled tissues and other burning particles, objects and acids
- explosive environments or explosive substances/gases



SPECIFICATIONS

■ Physical dimensions and properties	
Material housing	polypropylene
Colour:	<ul style="list-style-type: none"> • grey RAL 7024 • black RAL 9005
Inlet diameter	Ø 200 mm (Ø 7.87 in.)
Outlet diameter	Ø 160 mm (Ø 6.30 in.)
Weight (net)	15 kg (33 lbs.)
■ Performance	
Fan type	radial
Unrestricted airflow	2400 m ³ /h (1413 CFM)
Speed:	<ul style="list-style-type: none"> • 2800 rpm • 3400 rpm
Noise level	69 dB(A) according to ISO 3746
■ Electrical data	
Power consumption	0,75 kW (1 HP)

Available connection voltages	115V/1~/50Hz; 230V/1~/50Hz; 230V/3~/50Hz; 400V/3~/50Hz; 230V/1~/60Hz; 230V/3~/60Hz; 400V/3~/60Hz
Max. start/stops per hour	30
Insulation class	F
Protection class	IP 55
■ Ambient conditions	
Operating temperature:	<ul style="list-style-type: none"> • Min. 5°C (41°F) • Nom. 20°C (68°F) • Max. 45°C (113°F)
Max. relative humidity	80%
Outdoor use allowed	no
Storage conditions	<ul style="list-style-type: none"> • 5-45°C (41-113°F) • relative humidity max. 80%
■ Product combinations	
T-Flex	telescopic extraction arm
T-Flex/CW	telescopic extraction arm
Flex-2/3/4	flexible extraction arm
UltraFlex-3/4	ultraflexible extraction arm
TNB/NMB	wall mounting bracket
■ Available options	
SAS-160	silencer; noise reduction 5 dB(A)
Motor protection switch:	FAN-28: <ul style="list-style-type: none"> • MPS 10.0-16.0 A • MPS 4.0-6.3 A • MPS 2.5-4.0 A • MPS 1.6-2.5 A
Thermal relay:	FAN-28: <ul style="list-style-type: none"> • 115V/1~/50-60Hz • 230V/1~/50Hz • 230V/3~/50Hz • 400V/3~/50Hz
	FAN-28: <ul style="list-style-type: none"> • 115V/1~/50-60Hz • 230V/1~/50Hz • 230V/3~/50Hz • 400V/3~/50Hz
■ Scope of supply	
Fan - Hardware	

Order information

Article numbers:	<ul style="list-style-type: none"> • FAN-28 115V/1~/50Hz • FAN-28 230V/1~/50Hz • FAN-28 230V/3~/50Hz • FAN-28 400V/3~/50Hz • FAN-28 230V/1~/60Hz • FAN-28 230V/3~/60Hz • FAN-28 400V/3~/60Hz
------------------	---

Number/package	1
----------------	---

Shipping data

Gross weight	18 kg (39.7 lbs.)
Packing dimensions	
Max. number/pallet	10
Harmonized Tariff Code	8414.5940.90
Country of origin	the Netherlands

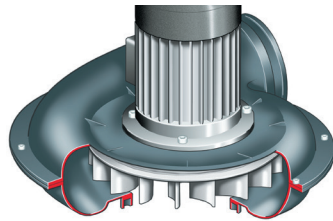
APPROVALS/CERTIFICATES



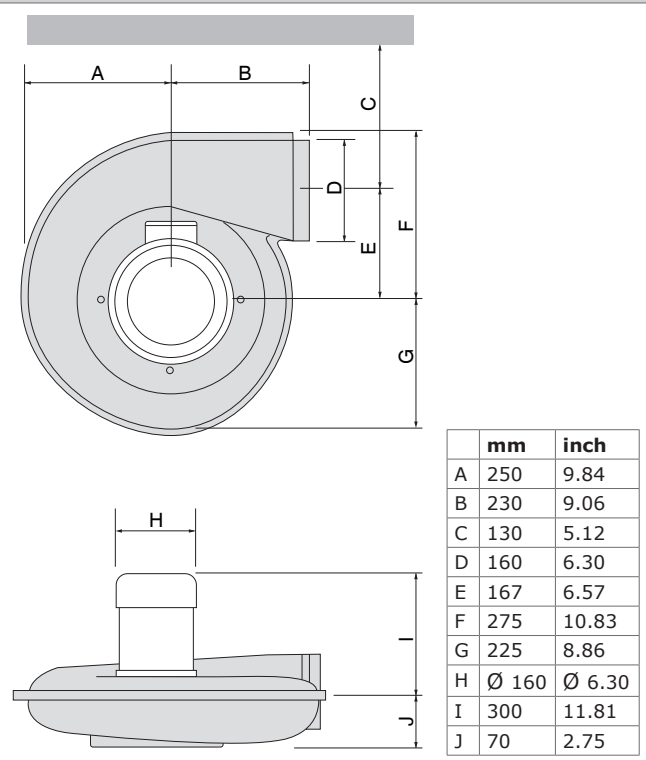
	Directive 2011/65/EC (RoHS) valid as of 8 June 2011
--	---

FEATURES

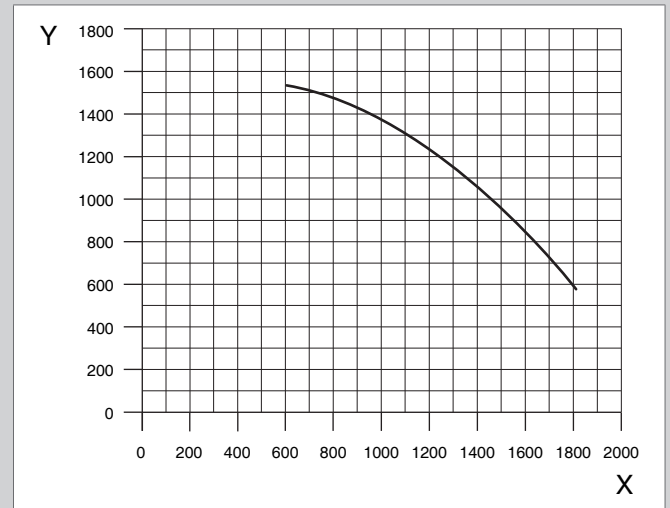
Radial fan wheel



DIMENSIONS



FAN CURVE



X = Airflow (m³/h)

Y = Static pressure (Pa)

Product type

FAN-28

Article no.

refer to order information

Product category

extraction fans

Version

300713/F

Always check the latest version on www.plymovent.com.