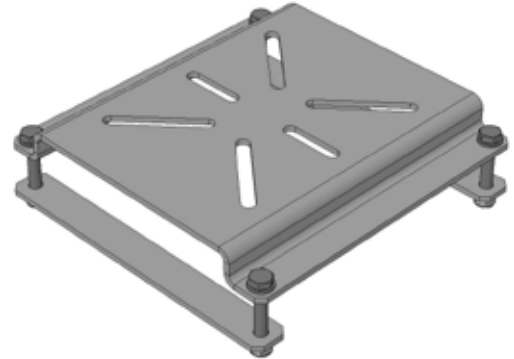


BENCH VICE MOUNTING BRACKET

BENCH VICE MOUNTING BRACKET FOR DOWNDRAFT TABLE

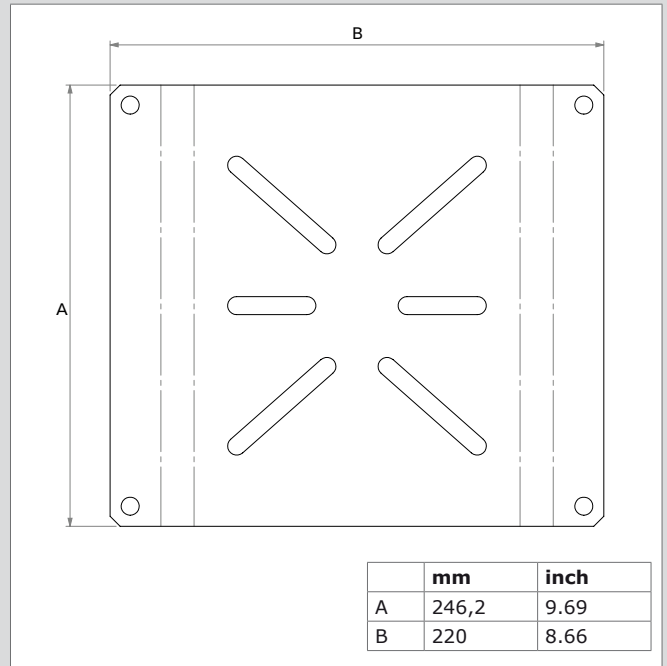
Universal mounting bracket for bench vice.
To be connected to the standard work grid of a downdraft table.
Bench vice not included.



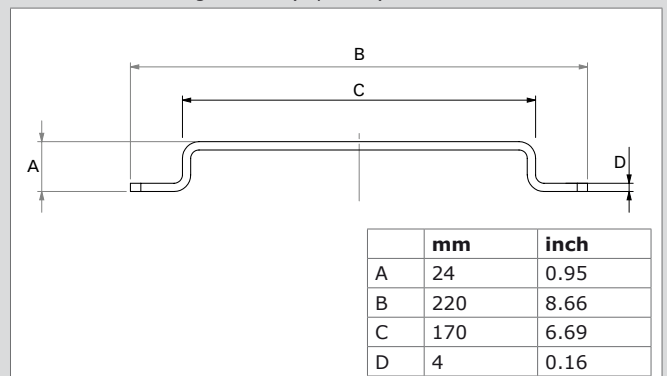
SPECIFICATIONS

■ Physical dimensions and properties	
Material	zinc plated steel
Colour	naturel
Weight (net)	2,1 kg (4.6 lbs)
■ Product combinations	
DraftMax Eco	downdraft table to be connected to external extraction and filtration facility (with standard work grid only)
DraftMax Basic	downdraft table with disposable filter (with standard work grid only)
DraftMax Advance	downdraft table with manual self-cleaning filter (with standard work grid only)
DraftMax Ultra	downdraft table with automatic self-cleaning filter (with standard work grid only)
■ Scope of supply	
Mounting bracket - Strips (2)- Bolts M6 (4) - Nuts M6 (4) - Washers (8)	
■ Order information	
Article number	0040400030
Number/package	1
■ Shipping date	
Gross weight	2,3 kg (5.1 lbs)
Packing dimensions	310 x 310 x 85 mm (12.2 x 12.2 x 3.4 in.)
Harmonized Tariff Code	8421.39.2090
Country of origin	the Netherlands

DIMENSIONS



Bench vice mounting bracket (top view)



Bench vice mounting bracket (side view)

Product type	Bench vice mounting bracket
Article no.	0040400030
Product category	options and accessories
Version	020312/B

Always check the latest version on www.plymovent.com.