

MOBILEGO^{plus}

MOBILE FILTER UNIT WITH METAL TUBE ARM

The MobileGo^{plus} is a mobile welding fume filter with built-in fan and a metal tube arm (KUA). It contains a disposable filter package.

Thanks to the four transport wheels (two of which are swivel casters with brake), the MobileGo^{plus} is suitable for use in relatively small facilities or near sources of pollution without a fixed location.

The MobileGo^{plus} has been designed for occasional to regular welding activities (approx. 2 coils of solid wire or 15 kg/33 lbs of electrodes per month).



APPLICATIONS

The MobileGo^{plus} is intended to be used for the following applications:

- MIG-MAG/GMAW welding
- TIG welding
- FCAW welding
- stick/MMAW welding
- grinding
- polishing
- finishing



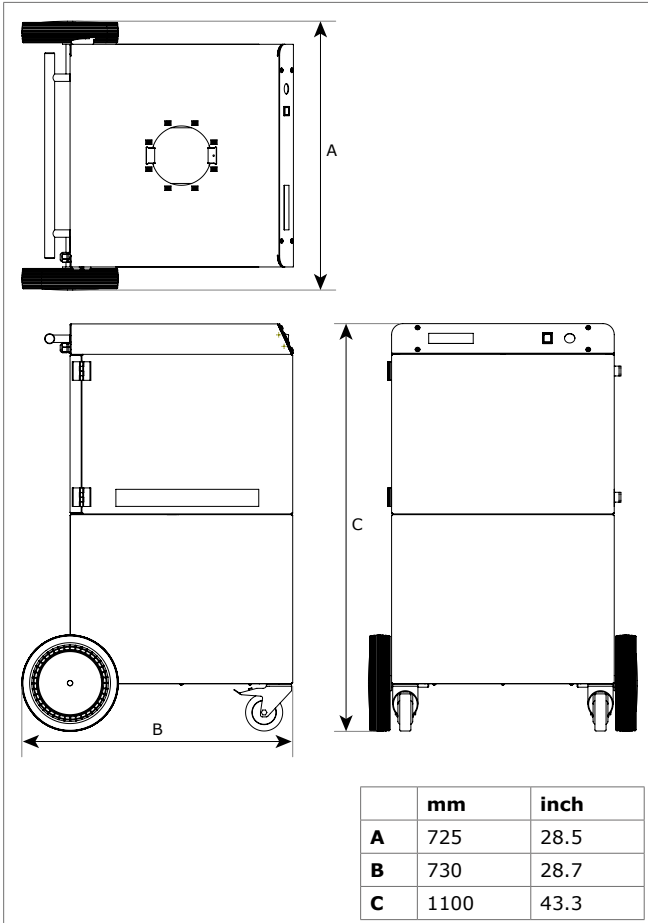
SPECIFICATIONS

■ Physical dimensions and properties	
Material (housing):	electro-zinc coated steel (according to DIN EN 10152)
• steel grade	• DC01+ZE
• steel grade no.	• 1.0330
Colour	yellow RAL 1004 grey RAL 7011
Weight (net), excl. arm	85,5 kg (188.5 lbs)
Mains cord:	
• type	• 3G1.5
• length	• 6 m (20 ft)
■ Extraction arm	
Type	KUA
Material	metal tube
Length:	
• KUA-2	• 2 m (6.6 ft)
• KUA-3	• 3 m (9.8 ft)
Weight:	
• KUA-2	• 12 kg (26.5 lbs)
• KUA-3	• 15.5 kg (34.2 lbs)
■ Filters	
Pre filter cassette:	
• material	• polyester
• filter surface	• 1 m ² (10.8 ft ²)
• efficiency	• G2 according to EN 779
• washable	• no
HEPA filter cassette:	
• material	• glass fibre
• filter surface	• 26 m ² (280 ft ²)
• efficiency	• HEPA E12 according to EN 1822:2009
• washable	• no
■ Welding fume class	
W3	according to ISO 15012-1:2013

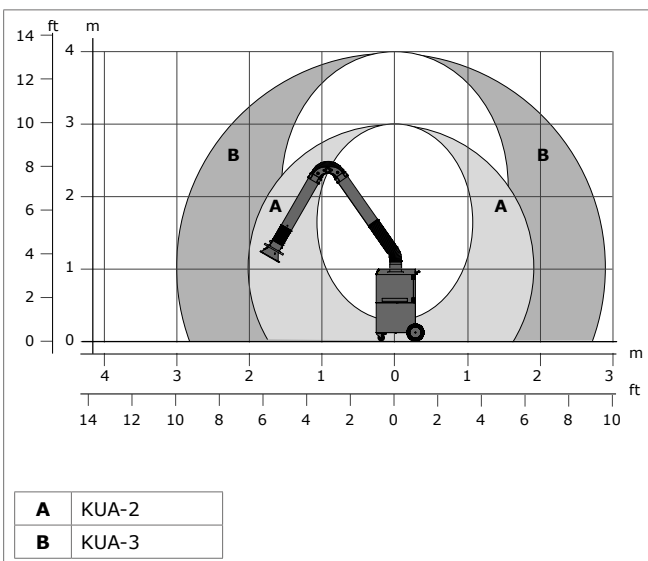
■ Performance	
Fan type	radial
Extraction capacity (incl. extraction arm)	max. 850 m ³ /h (500 CFM)
Fan speed	2800 rpm
Noise level (according to ISO 3746)	67 dB(A)
■ Electrical data	
Power consumption	1,1 kW (1.5 HP)
Available connection voltages	• 115V/1ph/50Hz (115) • 115V/1ph/60Hz (116) • 230V/1ph/50Hz (215)
Motor design	IEC
Energy efficiency	<i>n.a. for single phase motors</i>
Plug:	Type:
• 115V/1ph/50Hz	• none
• 115V/1ph/60Hz	• none
• 230V/1ph/50Hz	• F
■ Ambient and process conditions	
Process temperature:	
• min.	• 5°C (41°F)
• nom.	• 20°C (68°F)
• max.	• 70°C (158°F)
Max. relative humidity	90%
Suitable for outdoor use	no
Storage conditions	• 5-45°C (41-113°F) • relative humidity max. 80%
■ Scope of supply	
Mobile filter unit – Extraction arm (pre-assembled) – Rotating flange – Arm swivel ring, incl. rubber collar – Extraction hood – Hood collar with safety mesh – Mounting material	
■ Order information	
Article no.:	Type:
• 0000111453	• MobileGo ^{plus} /2m (115)
• 0000111454	• MobileGo ^{plus} /2m (116)
• 0000111452	• MobileGo ^{plus} /2m (215)
• 0000111474	• MobileGo ^{plus} /3m (115)
• 0000111475	• MobileGo ^{plus} /3m (116)
• 0000111473	• MobileGo ^{plus} /3m (215)
Number/package	1

■ Shipping data	
Gross weight (incl. pallet)	
Packing dimensions (incl. pallet)	
Max. number/pallet	2
Harmonized Tariff Code	8421.39.2090

DIMENSIONS



WORKING RANGE



FEATURES & BENEFITS



Compact design



Easy control | Service indicator monitors the airflow

APPROVALS/CERTIFICATES

	Directive 2011/65/EC (RoHS) valid as of 8 June 2011

Application restrictions

Do **not** use the product for the following applications or in the following circumstances: polishing applications in combination with grinding, welding or any other application that generate sparks (fibres from polishing or abrasive flap disks are highly flammable and pose a high risk of filter fires when exposed to sparks) | aluminium laser cutting | oil mist | heavy oil mist in welding fume | arc-air gouging | extraction of aggressive fumes and gases (e.g. from acids, from alkaline, from soldering paste containing lithium) | extraction of hot gases (more than 70°C/158°F continuously) | grinding aluminum and magnesium | flame spraying | extraction of cement, saw dust, wood dust etc. | sucking cigarettes, cigars, oiled tissues and other burning particles, objects and acids | explosive environments or explosive substances/gases

Product type

MobileGo^{plus}

Article no.

refer to Order information

Product category

mobile filter units

Version

060117/A

Always check the latest version on www.plymovent.com